



SCATTERGOOD & JOHNSON LTD



ELECTRICAL ENGINEERING AND FLUID CONTROL DISTRIBUTORS

Guardmaster

Lifeline 4 Rope Operated Switch

- * Universal mounting and operation
- * Lid mounted emergency stop button, designed to conform to EN-
- * Switch lockout on cable pulled and cable slack
- * Cable status indicator on switch lid
- * Conforms to EN418, EN292, ISO 13850, EN 60947-5-1, BS 5304
- * CE marked for all applicable directive, cULus and BG



LRS4 LIFELINE 4 ROPE AND PUSH BUTTON ACTUATED EMERGENCY STOP

Part No.	Price	Type	Contacts	Conduit entry	Span
440E-L13042	P.O.A.	Lifeline 4	2 N/C + 1 N/O	3 x M20	Up to 75m between 2 switches
440E-P13045	P.O.A.	Lifeline 4 (pneumatic version)	-	-	
440E-H13069	P.O.A.	Lifeline 4 (Ex version)	2 N/C	2m pre-wired	

**** NOTE **** Over 5m and up to 75m, 2 x LRS4 should be used.

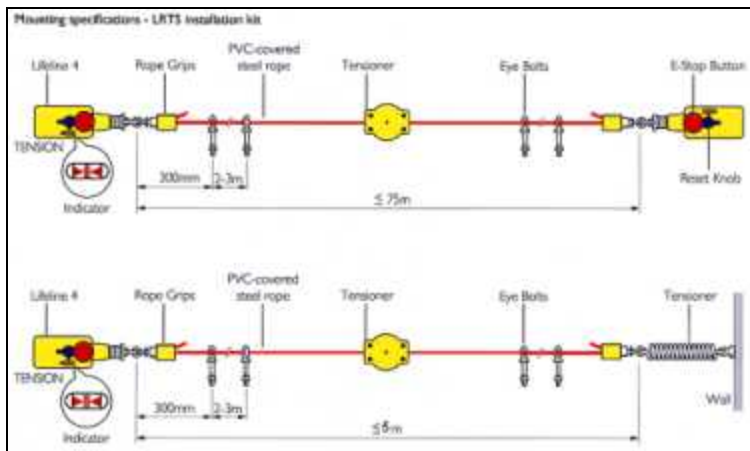
Below this figure, a switch complete with tension spring may be used (see diagram at foot of page).

LRTS INSTALLATION KIT

Part No.	Price	Description
440E-A13079	P.O.A.	5m LRTS Installation Kit (c/w tensioner, eyebolts & red PVC coated wire)
440E-A13080	P.O.A.	10m LRTS Installation Kit (c/w tensioner, eyebolts & red PVC coated wire)
440E-A13081	P.O.A.	15m LRTS Installation Kit (c/w tensioner, eyebolts & red PVC coated wire)
440E-A13082	P.O.A.	20m LRTS Installation Kit (c/w tensioner, eyebolts & red PVC coated wire)
440E-A13083	P.O.A.	30m LRTS Installation Kit (c/w tensioner, eyebolts & red PVC coated wire)
440E-A13084	P.O.A.	50m LRTS Installation Kit (c/w tensioner, eyebolts & red PVC coated wire)
440E-A13085	P.O.A.	75m LRTS Installation Kit (c/w tensioner, eyebolts & red PVC coated wire)

ACCESSORIES

Part No.	Price	Description
440E-A17003	P.O.A.	Eyebolt complete (M8 thread)
440E-A13078	P.O.A.	Tensioner spring
440E-A09125	P.O.A.	Tensioner Kit for use with LRS
440E-A17028/R	P.O.A.	Red PVC rope cable (100m reel)



Lowfields Road
Leeds LS12 6ET
Tel: 0113 243 0203
Fax: 0113 242 0959

91 Holywell Road
Sheffield S4 8AT
Tel: 0114 243 1841
Fax: 0114 243 1032

Federation Way
Gateshead NE11 9HL
Tel: 0191 460 2233
Fax: 0191 460 1818

Eleventh Street
Trafford Park
Manchester M17 1SP
Tel: 0161 876 4337
Fax: 0161 876 4339

80, Fifty Pitches Road
Cardonald Park
Glasgow G51 4EB
Tel: 0141 892 0166
Fax: 0141 891 5036

Unit J
Fryer's Close
Walsall WS3 2XQ
Tel: 01922 403426
Fax: 01922 497398

email: sales@scatts.co.uk

web: www.scatts.co.uk



SCATTERGOOD & JOHNSON LTD

ELECTRICAL ENGINEERING & FLUID CONTROL DISTRIBUTORS

Est.1899

At Scattergood & Johnson Ltd, we pride ourselves on being a technical distributor to specialist industries.

Working with a range of quality product suppliers across a number of specialist markets, we are not your average 'box shifter' - we are your technical and supply chain partner.

We fully support every product we sell - for free! Our internal team and external sales engineers can answer any product or application question, no matter the complexity.

Backing up this technical ability is a range of 50,000+ products available from stock for nationwide next day delivery (same day if required!), or you can collect what you need from any of our trade counters around the UK.

Select your specialist interest below to learn more about how we can help.



Online, In Branch and On the Road - Scattergood & Johnson Ltd, there when you need us.

www.scatts.co.uk