

## DIN rail mounting frame - HC-CIF-B24-BFWD-FH-AL - 1404212

Please be informed that the data shown in this PDF Document is generated from our Online Catalog. Please find the complete data in the user's documentation. Our General Terms of Use for Downloads are valid (<http://phoenixcontact.com/download>)



HEAVYCON DIN rail mounting frame, lower part with double locking latch, for sleeve housing without double locking latch or HC-CIF-.HFFD.. upper part, for type B24 contact inserts, for NS35/7,5 DIN rails

### Your advantages

- Sturdy metal version
- Open base, pre-assembled cable harnesses can be used
- Standardized design; both PE sheets for inserts are connected conductively
- Safe capacitive PE even when connected slightly askew



COMPLETE RoHS

### Key Commercial Data

Packing unit	1 pc
GTIN	 4 046356 680240
GTIN	4046356680240
Weight per Piece (excluding packing)	201.890 g
Custom tariff number	85389099
Country of origin	Poland

### Technical data

#### Dimensions

Length	120 mm
Width	56 mm
Height	85 mm

#### Ambient conditions

Ambient temperature (operation)	-40 °C ... 125 °C
---------------------------------	-------------------

#### General

Size	For B24
Material	Cast aluminum, uncoated

## DIN rail mounting frame - HC-CIF-B24-BFWD-FH-AL - 1404212

### Technical data

#### General

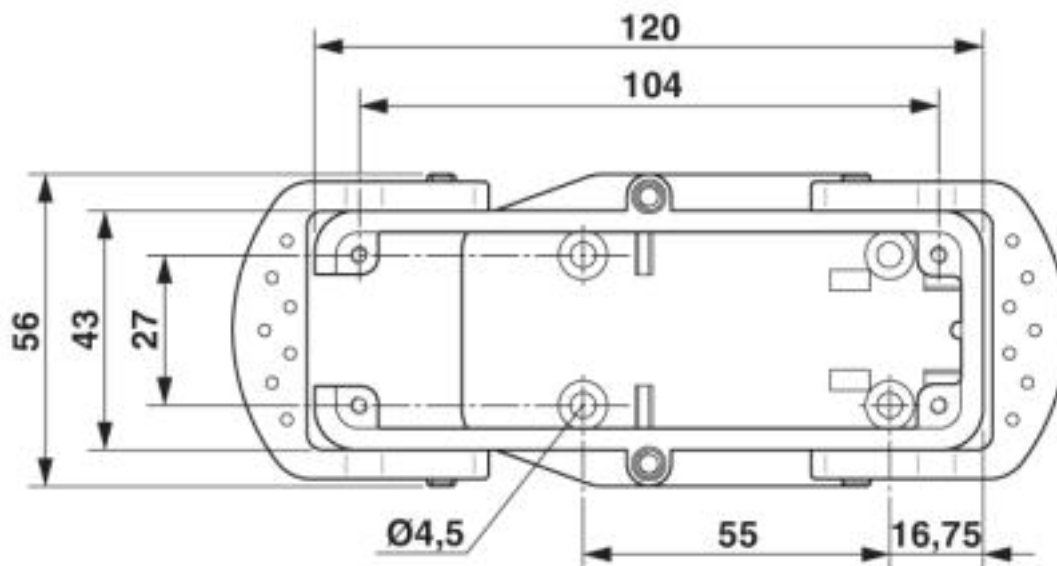
Locking latch material	High-grade steel, handle: PA-GF
Assembly instructions	A double locking latch is not mounted, which means that an assembled cable set can be used more easily
Mounting type	DIN rail: 35 mm

#### Environmental Product Compliance

China RoHS	Environmentally Friendly Use Period = 50
	For details about hazardous substances go to tab "Downloads", Category "Manufacturer's declaration"

### Drawings

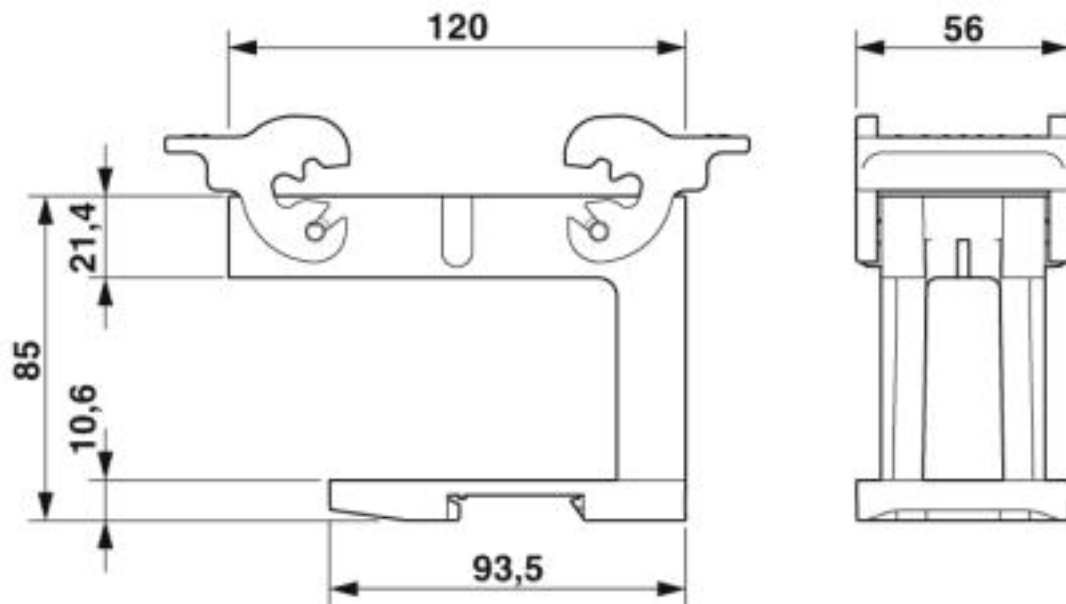
Dimensional drawing



Dimensional drawing top view

# DIN rail mounting frame - HC-CIF-B24-BFWD-FH-AL - 1404212

Dimensional drawing



Dimensional drawing

## Classifications

eCl@ss

eCl@ss 4.0	27140800
eCl@ss 4.1	27140800
eCl@ss 5.0	27143400
eCl@ss 5.1	27143400
eCl@ss 6.0	27261200
eCl@ss 7.0	27440206
eCl@ss 8.0	27440206
eCl@ss 9.0	27440210

ETIM

ETIM 3.0	EC002310
ETIM 4.0	EC002310
ETIM 5.0	EC002310
ETIM 6.0	EC002310
ETIM 7.0	EC002310

UNSPSC

UNSPSC 6.01	43172601
UNSPSC 7.0901	39121416
UNSPSC 11	43172601
UNSPSC 12.01	39121408

<https://www.phoenixcontact.com/gb/products/1404212>



## DIN rail mounting frame - HC-CIF-B24-BFWD-FH-AL - 1404212

### Classifications

#### UNSPSC

UNSPSC 13.2	39121421
-------------	----------

### Approvals

#### Approvals

---

#### Approvals

EAC

---

#### Ex Approvals

---

### Approval details

EAC		RU C- DE.AI30.B.01102
-----	--	--------------------------

---

Phoenix Contact 2019 © - all rights reserved  
<http://www.phoenixcontact.com>



# SCATTERGOOD & JOHNSON LTD

ELECTRICAL ENGINEERING & FLUID CONTROL DISTRIBUTORS

Est.1899

At Scattergood & Johnson Ltd, we pride ourselves on being a technical distributor to specialist industries.

Working with a range of quality product suppliers across a number of specialist markets, we are not your average 'box shifter' - we are your technical and supply chain partner.

We fully support every product we sell - for free! Our internal team and external sales engineers can answer any product or application question, no matter the complexity.

Backing up this technical ability is a range of 50,000+ products available from stock for nationwide next day delivery (same day if required!), or you can collect what you need from any of our trade counters around the UK.

Select your specialist interest below to learn more about how we can help.



Online, In Branch and On the Road - Scattergood & Johnson Ltd, there when you need us.

# [www.scatts.co.uk](http://www.scatts.co.uk)