

## Connector - SACC-M12MS-8CON-PG11-M - 1410666

Please be informed that the data shown in this PDF Document is generated from our Online Catalog. Please find the complete data in the user's documentation. Our General Terms of Use for Downloads are valid (<http://phoenixcontact.com/download>)




Connector, 8-position, Plug straight M12, A-coded, Screw connection, knurl material: Zinc die-cast, nickel-plated, cable gland Pg11, external cable diameter 8 mm ... 10 mm

### Your advantages

- Safe use in the field, thanks to a high degree of protection
- Flexible: connectors for on-site assembly
- Screw connection: proven connection technology for a large selection of different conductors


**RoHS**

### Key Commercial Data

|                                      |   |
|--------------------------------------|---|
| Packing unit                         | 1 pc  |
| GTIN                                 | <br>4 046356 904650 |
| GTIN                                 | 4046356904650   |
| Weight per Piece (excluding packing) | 24.820 g  |
| Custom tariff number                 | 85366990  |
| Country of origin                    | Germany   |

### Technical data

#### Dimensions

|   |                |
|---|----------------|
| Diameter housing                        | 20 mm          |
| Length                                  | 65.5 mm        |
| External cable diameter                 | 8 mm ... 10 mm |
| Stripping length of the sheath          | 20 mm          |
| Stripping length of the individual wire | 5 mm           |

#### Ambient conditions

|                                 |                                  |
|---------------------------------|----------------------------------|
| Ambient temperature (operation) | -40 °C ... 85 °C (Plug / socket) |
| Degree of protection            | IP67                             |

#### General

## Connector - SACC-M12MS-8CON-PG11-M - 1410666

### Technical data

#### General

|                             |   |
|-----------------------------|---|
| Note                        | NOTE: Observe the permissible bending radii when laying conductors, since the degree of protection may be put in jeopardy if the bending forces are too high. Alleviate mechanical loads upstream of the connector, e.g. by using cable ties. |
| Rated current at 40°C       | 2 A   |
| Rated voltage               | 30 V AC   |
|                             | 30 V DC   |
| Number of positions         | 8   |
| Color handle area           | black   |
| Insulation resistance       | ≥ 100 MΩ  |
| Coding                      | A - standard  |
| Standards/regulations       | M12 connector IEC 61076-2-101   |
| Status display              | No  |
| Overvoltage category        | II  |
| Degree of pollution         | 3   |
| Connection method           | Screw connection  |
| Conductor cross section     | 0.25 mm <sup>2</sup> ... 0.5 mm <sup>2</sup> (without ferrule)  |
|                             | 0.14 mm <sup>2</sup> ... 0.34 mm <sup>2</sup> (with ferrule)  |
|                             | 0.25 mm <sup>2</sup> ... 0.5 mm <sup>2</sup> (solid)  |
| Conductor cross section AWG | 24 ... 20 (without ferrule)   |
|                             | 26 ... 22 (with ferrule)  |
| Insertion/withdrawal cycles | ≥ 100   |
| Torque                      | 0.4 Nm (M12 knurl)  |
|                             | 0.2 Nm (Screw terminal blocks)  |
|                             | 1.5 Nm ... 2 Nm (Pressure screw with sleeve housing)  |
| Tightening torque           | Screw plug insert with sleeve housing as far it will go   |
| Assembly instructions       | The wires can be connected both with ferrules and without ferrules  |

#### Material

|  |                              |
|--|------------------------------|
| Flammability rating according to UL 94 | HB                           |
| Contact material                       | CuZn                         |
| Contact surface material               | Au                           |
| Contact carrier material               | PA                           |
| Material of grip body                  | PA                           |
| Material, knurls                       | Zinc die-cast, nickel-plated |
| Sealing material                       | NBR                          |

#### Standards and Regulations

|  |                 |
|--|-----------------|
| Standard designation                   | M12 connector   |
| Standards/regulations                  | IEC 61076-2-101 |
| Flammability rating according to UL 94 | HB              |

#### Environmental Product Compliance

# Connector - SACC-M12MS-8CON-PG11-M - 1410666

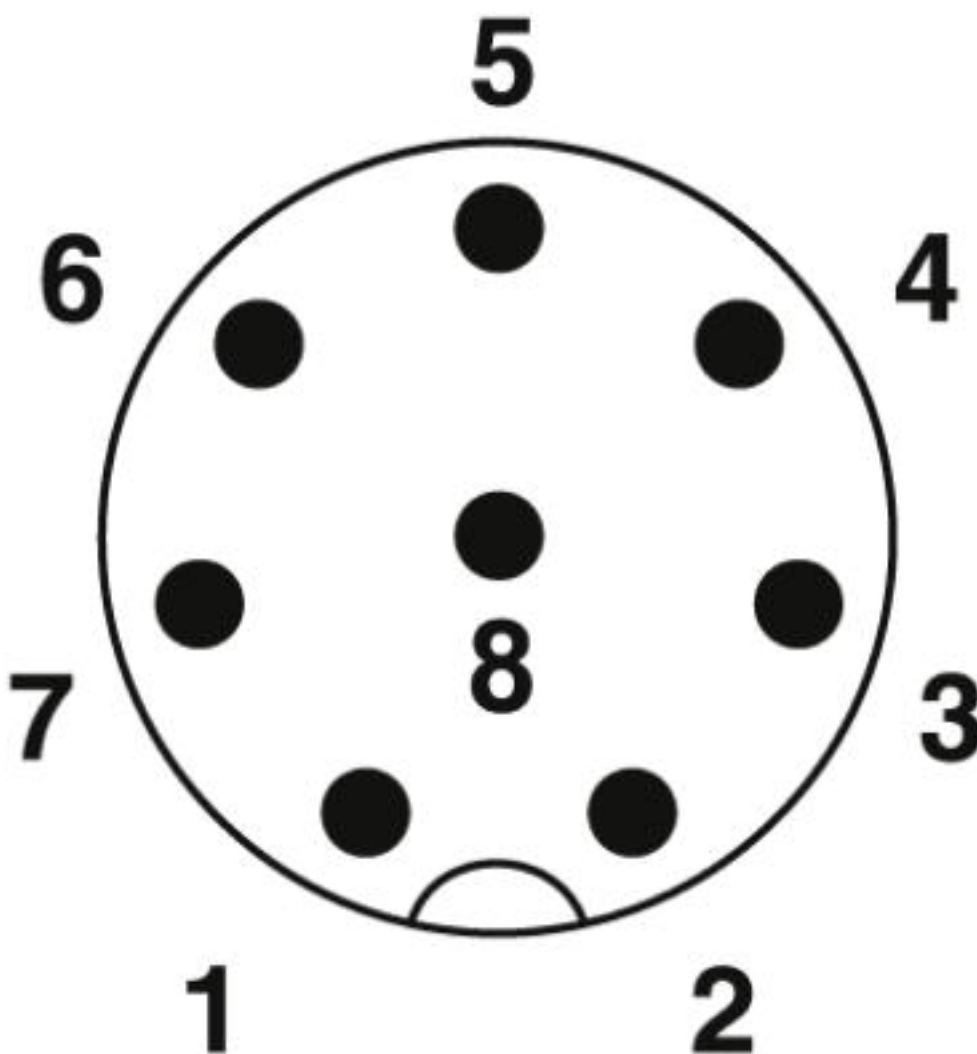
## Technical data

### Environmental Product Compliance

|            |   |
|------------|---|
|            | Lead 7439-92-1  |
| China RoHS | Environmentally Friendly Use Period = 50  |
|            | For details about hazardous substances go to tab "Downloads", Category "Manufacturer's declaration" |

## Drawings

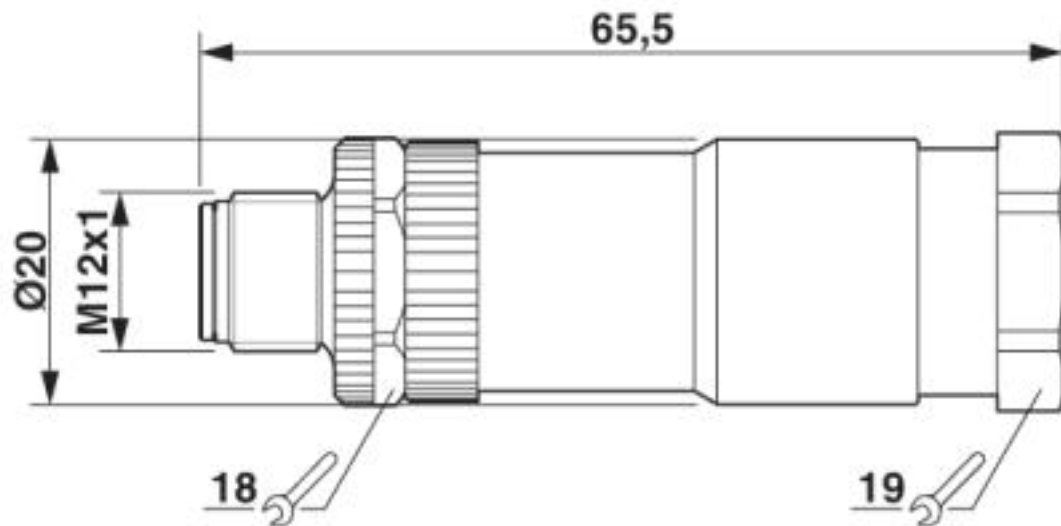
Schematic diagram



Pin assignment M12 plug, 8-pos., A-coded, view plug side

## Connector - SACC-M12MS-8CON-PG11-M - 1410666

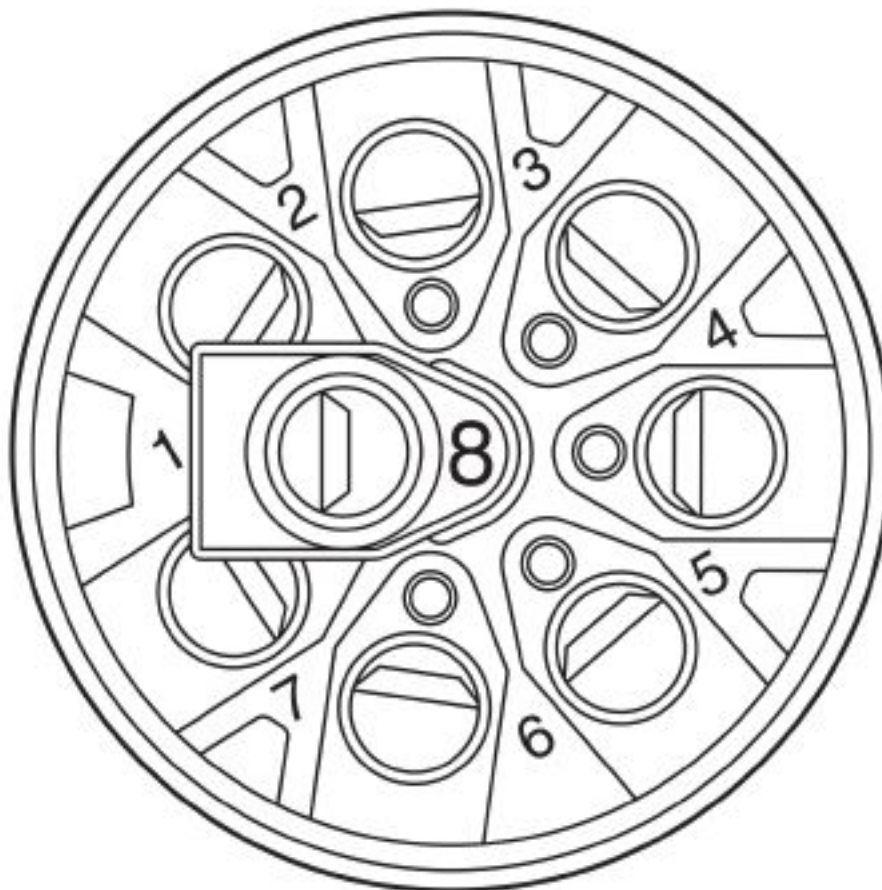
Dimensional drawing



Plug, M12 x 1, straight

# Connector - SACC-M12MS-8CON-PG11-M - 1410666

Schematic diagram



Cable connection side M12 (screw connection)

## Classifications

eCl@ss

|            |          |
|------------|----------|
| eCl@ss 4.0 | 27260700 |
| eCl@ss 4.1 | 27260700 |
| eCl@ss 5.0 | 27260700 |
| eCl@ss 5.1 | 27260700 |
| eCl@ss 6.0 | 27279200 |
| eCl@ss 7.0 | 27440104 |
| eCl@ss 8.0 | 27440104 |
| eCl@ss 9.0 | 27440102 |

ETIM

|          |          |
|----------|----------|
| ETIM 4.0 | EC002062 |
|----------|----------|

<https://www.phoenixcontact.com/gb/products/1410666>

## Connector - SACC-M12MS-8CON-PG11-M - 1410666

### Classifications

#### ETIM

|          |          |
|----------|----------|
| ETIM 5.0 | EC002062 |
| ETIM 6.0 | EC002062 |

#### UNSPSC

|             |          |
|-------------|----------|
| UNSPSC 13.2 | 39121413 |
|-------------|----------|

### Approvals


#### Approvals

#### Approvals

EAC

#### Ex Approvals

### Approval details

|     |   |               |
|-----|---|---------------|
| EAC |  | EAC-Zulassung |
|-----|---|---------------|

Phoenix Contact 2019 © - all rights reserved  
<http://www.phoenixcontact.com>



# SCATTERGOOD & JOHNSON LTD

ELECTRICAL ENGINEERING & FLUID CONTROL DISTRIBUTORS

Est.1899

At Scattergood & Johnson Ltd, we pride ourselves on being a technical distributor to specialist industries.

Working with a range of quality product suppliers across a number of specialist markets, we are not your average 'box shifter' - we are your technical and supply chain partner.

We fully support every product we sell - for free! Our internal team and external sales engineers can answer any product or application question, no matter the complexity.

Backing up this technical ability is a range of 50,000+ products available from stock for nationwide next day delivery (same day if required!), or you can collect what you need from any of our trade counters around the UK.

Select your specialist interest below to learn more about how we can help.



Online, In Branch and On the Road - Scattergood & Johnson Ltd, there when you need us.

# [www.scatts.co.uk](http://www.scatts.co.uk)