

## D-SUB crimp contact - CUC-DSC-J1BAU-S/DSC28 - 1418787

Please be informed that the data shown in this PDF Document is generated from our Online Catalog. Please find the complete data in the user's documentation. Our General Terms of Use for Downloads are valid (<http://phoenixcontact.com/download>)



D-SUB crimp contact, connection method: Crimp connection, connection cross section: AWG 28- 26

### Product Description


Standard contact for D-SUB contact inserts

### Your advantages

- Various connection methods for every application
- High grade
- Turned contact



### Key Commercial Data

Packing unit	100 pc
Minimum order quantity	100 pc
GTIN	 4 055626 150741
GTIN	4055626150741
Weight per Piece (excluding packing)	0.240 g
Custom tariff number	85366990
Country of origin	Switzerland
Note	Made to Order (non-returnable)

### Technical data

#### Mechanical characteristics

Standards/specifications	DIN 41652
Insertion/withdrawal cycles	≥ 200
Connection method	Crimp connection
Type of contact	Socket
Conductor cross section	0.08 mm <sup>2</sup> ... 0.12 mm <sup>2</sup>
Connection cross section AWG	28 ... 26

## D-SUB crimp contact - CUC-DSC-J1BAU-S/DSC28 - 1418787

### Technical data

#### Mechanical characteristics

Insertion force per signal contact	≤ 3.40 N
Mounting type	Crimp connection
Contact type	turned

#### Ambient conditions

Ambient temperature (operation)	-55 °C ... 130 °C
---------------------------------	-------------------

#### Material data

Contact material	Copper alloy
Contact surface material	0.2 µm, gold over nickel
Height	1.74 mm

#### Electrical characteristics

Rated current	5 A (at 20 °C)
---------------	----------------

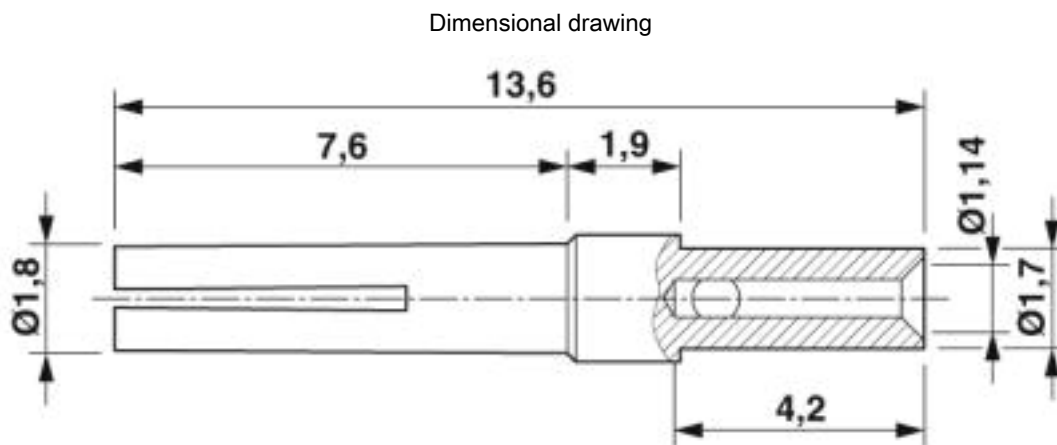
#### Standards and Regulations

Standards/regulations	DIN 41652
-----------------------	-----------

#### Environmental Product Compliance

China RoHS	Environmentally friendly use period: unlimited = EFUP-e
	No hazardous substances above threshold values

### Drawings



D-SUB crimp contact pin

### Classifications

eCl@ss

eCl@ss 4.0	27260700
eCl@ss 4.1	27260700
eCl@ss 5.0	27260700

<https://www.phoenixcontact.com/gb/products/1418787>

## D-SUB crimp contact - CUC-DSC-J1BAU-S/DSC28 - 1418787

### Classifications

#### eCl@ss

eCl@ss 5.1	27261200
eCl@ss 6.0	27261200
eCl@ss 7.0	27440204
eCl@ss 8.0	27440204
eCl@ss 9.0	27440204

#### ETIM

ETIM 2.0	EC000796
ETIM 3.0	EC000796
ETIM 4.0	EC000796
ETIM 5.0	EC000796
ETIM 6.0	EC000796
ETIM 7.0	EC000796

#### UNSPSC

UNSPSC 6.01	30211923
UNSPSC 7.0901	39121522
UNSPSC 11	39121522
UNSPSC 12.01	39121522
UNSPSC 13.2	39121522

### Approvals

#### Approvals

Approvals

EAC

Ex Approvals

#### Approval details

EAC		B.01742
-----	--	---------

Phoenix Contact 2019 © - all rights reserved  
<http://www.phoenixcontact.com>



# SCATTERGOOD & JOHNSON LTD

ELECTRICAL ENGINEERING & FLUID CONTROL DISTRIBUTORS

Est.1899

At Scattergood & Johnson Ltd, we pride ourselves on being a technical distributor to specialist industries.

Working with a range of quality product suppliers across a number of specialist markets, we are not your average 'box shifter' - we are your technical and supply chain partner.

We fully support every product we sell - for free! Our internal team and external sales engineers can answer any product or application question, no matter the complexity.

Backing up this technical ability is a range of 50,000+ products available from stock for nationwide next day delivery (same day if required!), or you can collect what you need from any of our trade counters around the UK.

Select your specialist interest below to learn more about how we can help.



Online, In Branch and On the Road - Scattergood & Johnson Ltd, there when you need us.

# [www.scatts.co.uk](http://www.scatts.co.uk)