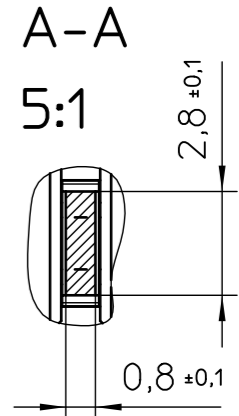
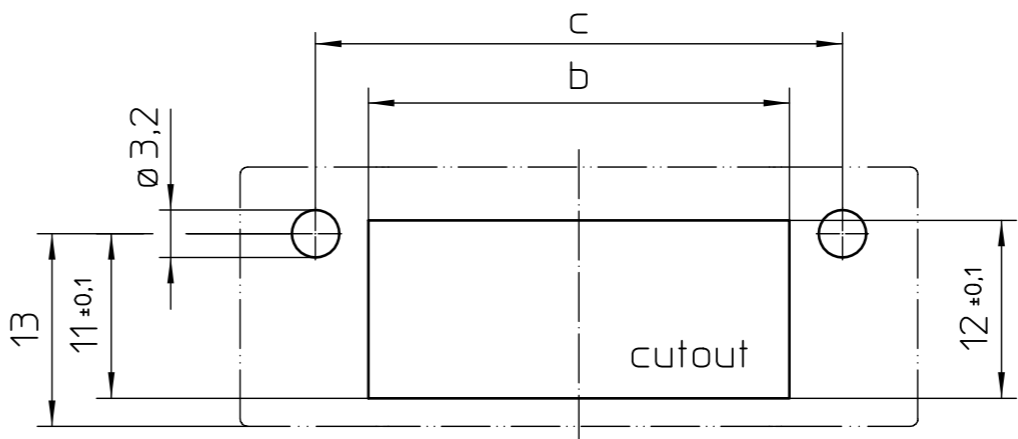
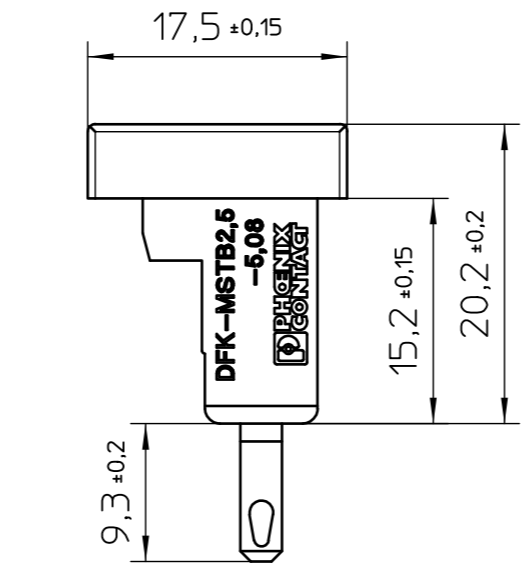
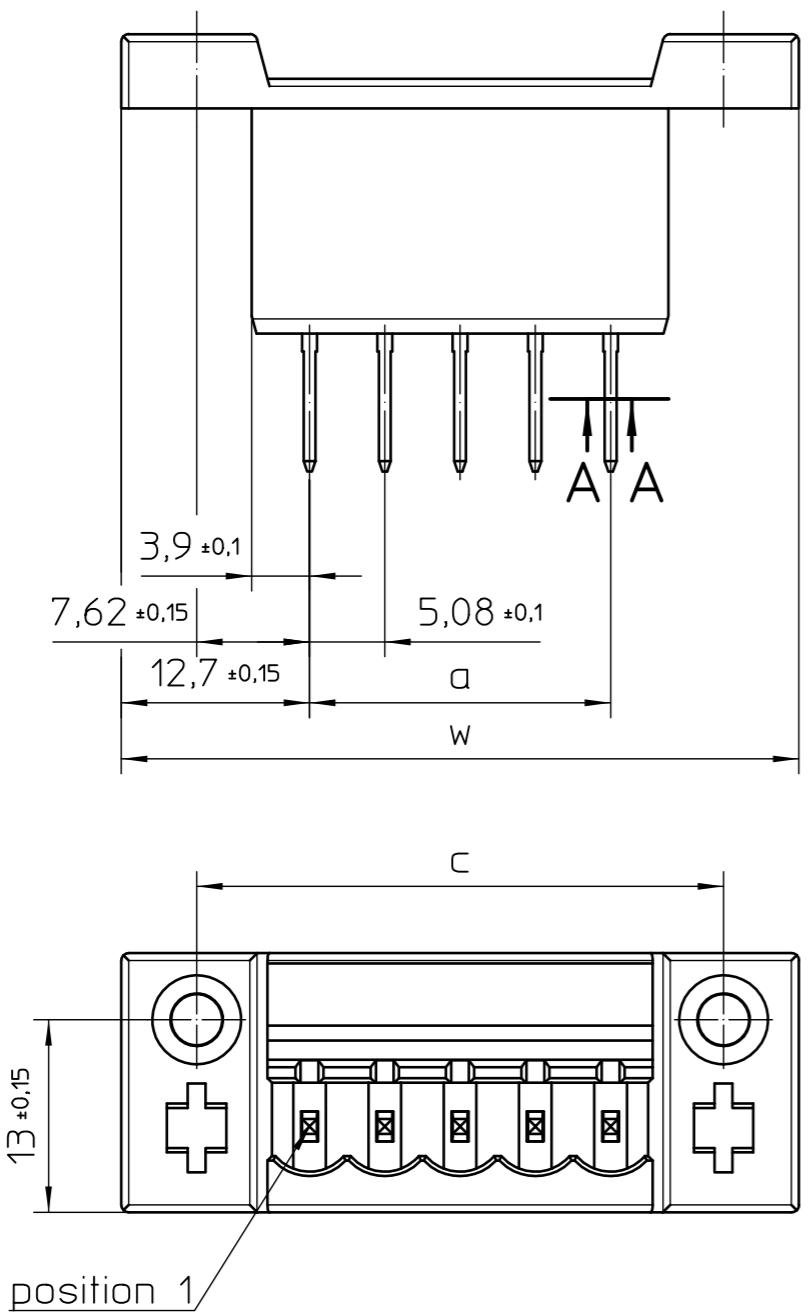


Transfer or duplication of this document as well as the utilisation or communication of its content are not permitted unless express consent is granted. Violations give rise to claims for damages. All rights reserved in case of patent, utility model or design patent registrations. Tolerance specifications do not include clearances inherent in the design.

Weitergabe sowie Vervielfältigung dieses Dokuments, Verwertung und Mitteilung seines Inhalts sind verboten, soweit nicht ausdrücklich gestattet. Zuwiderhandlungen verpflichten zu Schadenersatz. Alle Rechte für den Fall der Patent-, Gebrauchsmuster- oder Designeintragung vorbehalten. Bauartbedingtes Spiel ist in den Toleranzangaben nicht berücksichtigt.



pos.	dim. a	dim. w	dim. b	dim. c
2	5,08 ±0,10	30,48 ±0,20	13,18 ±0,15	20,32 ±0,20
3	10,16 ±0,15	35,56 ±0,20	18,26 ±0,20	25,40 ±0,20
4	15,24 ±0,15	40,64 ±0,20	23,34 ±0,20	30,48 ±0,20
5	20,32 ±0,20	45,72 ±0,20	28,42 ±0,20	35,56 ±0,20
6	25,40 ±0,20	50,80 ±0,25	33,50 ±0,20	40,64 ±0,20
7	30,48 ±0,20	55,88 ±0,25	38,58 ±0,20	45,72 ±0,20
8	35,56 ±0,20	60,96 ±0,25	43,66 ±0,20	50,80 ±0,25
9	40,64 ±0,20	66,04 ±0,25	48,74 ±0,20	55,88 ±0,25
10	45,72 ±0,20	71,12 ±0,25	53,82 ±0,25	60,96 ±0,25
11	50,80 ±0,25	76,20 ±0,25	58,90 ±0,25	66,04 ±0,25
12	55,88 ±0,25	81,28 ±0,40	63,98 ±0,25	71,12 ±0,25
13	60,96 ±0,25	86,36 ±0,40	69,06 ±0,25	76,20 ±0,25
14	66,04 ±0,25	91,44 ±0,40	74,14 ±0,25	81,28 ±0,40
15	71,12 ±0,25	96,52 ±0,40	79,22 ±0,25	86,36 ±0,40
16	76,20 ±0,25	101,60 ±0,40	84,30 ±0,40	91,44 ±0,40

DIN A3 	document-No. / RI	date	scale	- Simplified representation - Document excluded from change process - Linear dimensions [mm] - EN ISO 291 23/50
	00875531 / 02	23.07.2018	2:1	
page 1 of 1	TECDOC 2D_Productfamily		description	
DFK-MSTB 2,5/..-G-5,08				

1

2

3

4

5

6

1

2

3

4

5

6



SCATTERGOOD & JOHNSON LTD

ELECTRICAL ENGINEERING & FLUID CONTROL DISTRIBUTORS

Est.1899

At Scattergood & Johnson Ltd, we pride ourselves on being a technical distributor to specialist industries.

Working with a range of quality product suppliers across a number of specialist markets, we are not your average 'box shifter' - we are your technical and supply chain partner.

We fully support every product we sell - for free! Our internal team and external sales engineers can answer any product or application question, no matter the complexity.

Backing up this technical ability is a range of 50,000+ products available from stock for nationwide next day delivery (same day if required!), or you can collect what you need from any of our trade counters around the UK.

Select your specialist interest below to learn more about how we can help.



Online, In Branch and On the Road - Scattergood & Johnson Ltd, there when you need us.

www.scatts.co.uk