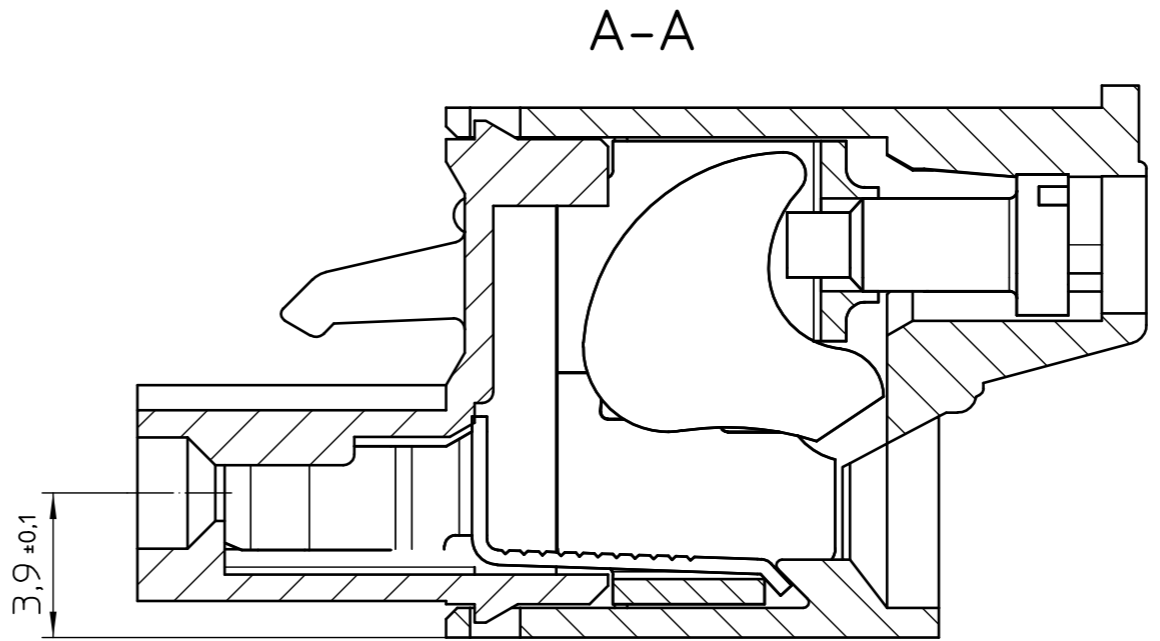
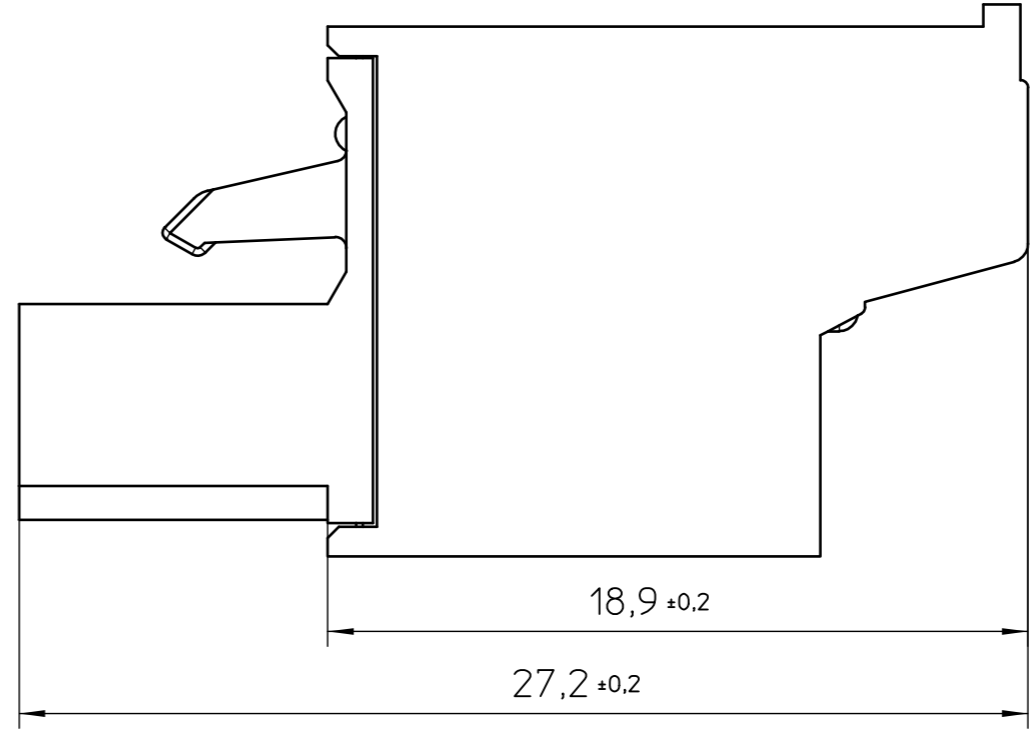
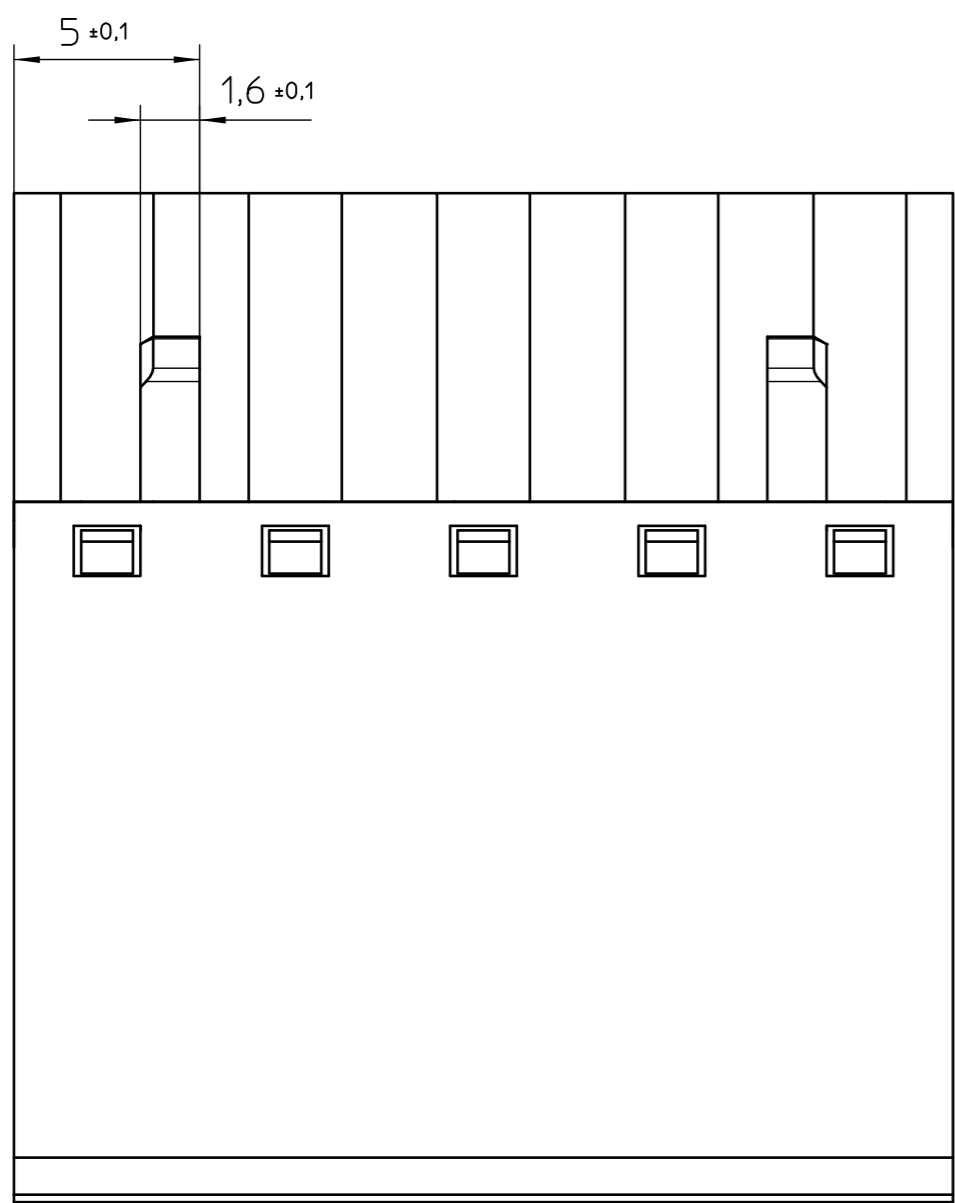
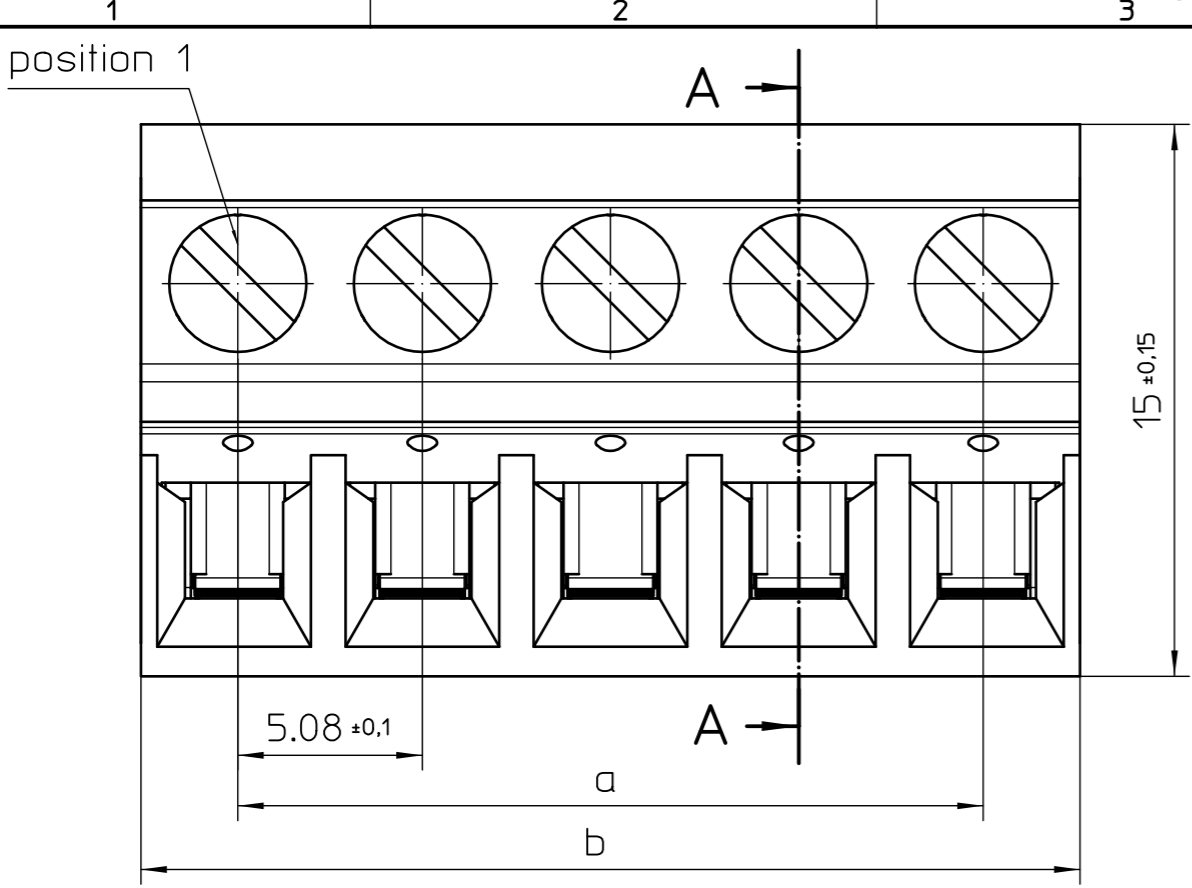


Transfer or duplication of this document as well as the utilisation or communication of its content are not permitted unless express consent is granted. Violations give rise to claims for damages. All rights reserved in case of patent, utility model or design patent registrations.

Weitergabe sowie Vervielfältigung dieses Dokuments, Verwertung und Mitteilung seines Inhalts sind verboten, soweit nicht ausdrücklich gestattet. Zuwiderhandlungen verpflichten zu Schadenersatz. Alle Rechte für den Fall der Patent-, Gebrauchsmuster- oder Designeintragung vorbehalten.



pos.	dim. a	dim. b
2	5,08 ± 0,10	10,16 ± 0,15
3	10,16 ± 0,15	15,24 ± 0,15
4	15,24 ± 0,15	20,32 ± 0,20
5	20,32 ± 0,20	25,40 ± 0,20
6	25,40 ± 0,20	30,48 ± 0,20
7	30,48 ± 0,20	35,56 ± 0,20
8	35,56 ± 0,20	40,64 ± 0,20
9	40,64 ± 0,20	45,72 ± 0,20
10	45,72 ± 0,20	50,80 ± 0,25
11	50,80 ± 0,25	55,88 ± 0,25
12	55,88 ± 0,25	60,96 ± 0,25
13	60,96 ± 0,25	66,04 ± 0,25
14	66,04 ± 0,25	71,12 ± 0,25
15	71,12 ± 0,25	76,20 ± 0,25
16	76,20 ± 0,25	81,28 ± 0,40
17	81,28 ± 0,40	86,36 ± 0,40
18	86,36 ± 0,40	91,44 ± 0,40
19	91,44 ± 0,40	96,52 ± 0,40
20	96,52 ± 0,40	101,60 ± 0,40
21	101,60 ± 0,40	106,68 ± 0,40
22	106,68 ± 0,40	111,76 ± 0,40
23	111,76 ± 0,40	116,84 ± 0,40
24	116,84 ± 0,40	121,92 ± 0,50

	document-No. / RI	date	scale
	00780059 / 01	03.06.2015	5:1
	document-type	description	
	TECDCO 2D-PRODUCTFAMILY	FRONT-MSTB 2,5/..-ST-5,08	
page 1	of 1		



SCATTERGOOD & JOHNSON LTD

ELECTRICAL ENGINEERING & FLUID CONTROL DISTRIBUTORS

Est.1899

At Scattergood & Johnson Ltd, we pride ourselves on being a technical distributor to specialist industries.

Working with a range of quality product suppliers across a number of specialist markets, we are not your average 'box shifter' - we are your technical and supply chain partner.

We fully support every product we sell - for free! Our internal team and external sales engineers can answer any product or application question, no matter the complexity.

Backing up this technical ability is a range of 50,000+ products available from stock for nationwide next day delivery (same day if required!), or you can collect what you need from any of our trade counters around the UK.

Select your specialist interest below to learn more about how we can help.



Online, In Branch and On the Road - Scattergood & Johnson Ltd, there when you need us.

www.scatts.co.uk