

Printed-circuit board connector - FRONT-MSTB 2,5/ 5-STF-5,08 - 1777837

Please be informed that the data shown in this PDF Document is generated from our Online Catalog. Please find the complete data in the user's documentation. Our General Terms of Use for Downloads are valid (<http://phoenixcontact.com/download>)

PCB connector, nominal current: 12 A, number of positions: 5, pitch: 5.08 mm, connection method: Front screw connection, color: green, contact surface: Tin




The figure shows a 10-position version of the product

Your advantages

- ✓ Well-known connection principle allows worldwide use
- ✓ Optimized for tight installation situations: operation and conductor connection from one direction
- ✓ Screwable flange for superior mechanical stability
- ✓ Low temperature rise, thanks to maximum contact force
- ✓ Allows connection of two conductors



Key Commercial Data

| | |
|--------------------------------------|---|
| Packing unit | 50 pc |
| Minimum order quantity | 50 pc |
| GTIN |  4 017918 039707 |
| GTIN | 4017918039707 |
| Weight per Piece (excluding packing) | 15.360 g |
| Custom tariff number | 85366990 |
| Country of origin | Germany |

Technical data

Dimensions

| | |
|--------------|----------|
| Length [l] | 27.2 mm |
| Width [w] | 35.2 mm |
| Height [h] | 15 mm |
| Pitch | 5.08 mm |
| Dimension a | 20.32 mm |

<https://www.phoenixcontact.com/gb/products/1777837>



Printed-circuit board connector - FRONT-MSTB 2,5/ 5-STF-5,08 - 1777837

Technical data

General

| | |
|--|------------------------|
| Range of articles | FRONT-MSTB 2,5/...-STF |
| Number of positions | 5 |
| Connection method | Front screw connection |
| Insulating material group | I |
| Rated surge voltage (III/3) | 4 kV |
| Rated surge voltage (III/2) | 4 kV |
| Rated surge voltage (II/2) | 4 kV |
| Rated voltage (III/3) | 250 V |
| Rated voltage (III/2) | 320 V |
| Rated voltage (II/2) | 630 V |
| Connection in acc. with standard | EN-VDE |
| Nominal current I_N | 12 A |
| Nominal cross section | 2.5 mm ² |
| Maximum load current | 12 A |
| Insulating material | PA |
| Flammability rating according to UL 94 | V0 |
| Internal cylindrical gage | A3 |
| Stripping length | 10 mm |
| Screw thread | M2,5 |
| Tightening torque, min | 0.5 Nm |
| Tightening torque max | 0.6 Nm |

Connection data

| | |
|---|----------------------|
| Conductor cross section solid min. | 0.34 mm ² |
| Conductor cross section solid max. | 2.5 mm ² |
| Conductor cross section flexible min. | 0.2 mm ² |
| Conductor cross section flexible max. | 2.5 mm ² |
| Conductor cross section flexible, with ferrule without plastic sleeve min. | 0.25 mm ² |
| Conductor cross section flexible, with ferrule without plastic sleeve max. | 2.5 mm ² |
| Conductor cross section flexible, with ferrule with plastic sleeve min. | 0.25 mm ² |
| Conductor cross section flexible, with ferrule with plastic sleeve max. | 2.5 mm ² |
| Conductor cross section AWG min. | 24 |
| Conductor cross section AWG max. | 12 |
| 2 conductors with same cross section, solid min. | 0.2 mm ² |
| 2 conductors with same cross section, solid max. | 1.5 mm ² |
| 2 conductors with same cross section, stranded min. | 0.2 mm ² |
| 2 conductors with same cross section, stranded max. | 1.5 mm ² |
| 2 conductors with same cross section, stranded, ferrules without plastic sleeve, min. | 0.25 mm ² |

Printed-circuit board connector - FRONT-MSTB 2,5/ 5-STF-5,08 - 1777837

Technical data

Connection data

| | |
|---|---------------------|
| 2 conductors with same cross section, stranded, ferrules without plastic sleeve, max. | 1 mm ² |
| 2 conductors with same cross section, stranded, TWIN ferrules with plastic sleeve, min. | 0.5 mm ² |
| 2 conductors with same cross section, stranded, TWIN ferrules with plastic sleeve, max. | 1 mm ² |
| Minimum AWG according to UL/CUL | 30 |
| Maximum AWG according to UL/CUL | 12 |

Standards and Regulations

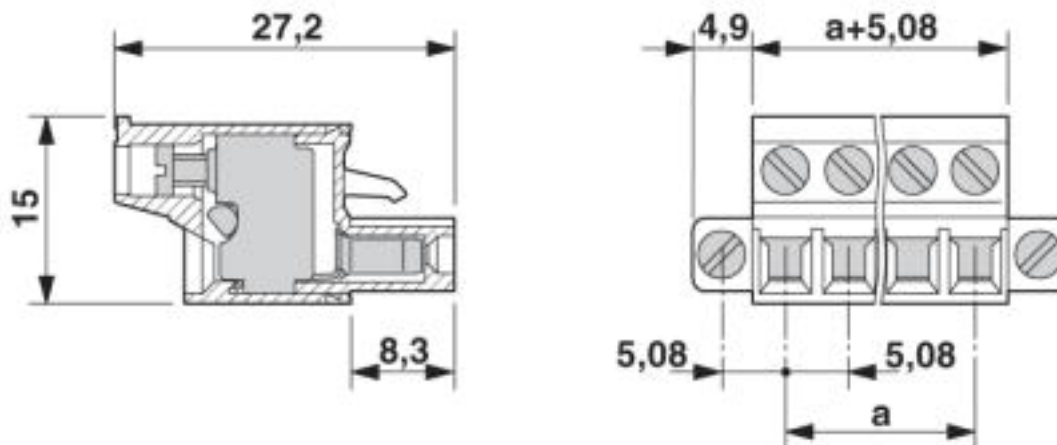
| | |
|--|--------|
| Connection in acc. with standard | EN-VDE |
| | CSA |
| Flammability rating according to UL 94 | V0 |

Environmental Product Compliance

| | |
|------------|---|
| China RoHS | Environmentally friendly use period: unlimited = EFUP-e |
| | No hazardous substances above threshold values |

Drawings

Dimensional drawing



Classifications

eCl@ss

| | |
|------------|----------|
| eCl@ss 4.0 | 27260700 |
| eCl@ss 4.1 | 27260700 |
| eCl@ss 5.0 | 27260700 |
| eCl@ss 5.1 | 27260700 |
| eCl@ss 6.0 | 27260700 |

<https://www.phoenixcontact.com/gb/products/1777837>



Printed-circuit board connector - FRONT-MSTB 2,5/ 5-STF-5,08 - 1777837

Classifications

eCl@ss

| | |
|------------|----------|
| eCl@ss 7.0 | 27440309 |
| eCl@ss 8.0 | 27440309 |
| eCl@ss 9.0 | 27440309 |

ETIM

| | |
|----------|----------|
| ETIM 3.0 | EC001121 |
| ETIM 4.0 | EC002638 |
| ETIM 5.0 | EC002638 |
| ETIM 6.0 | EC002638 |
| ETIM 7.0 | EC002638 |

UNSPSC

| | |
|---------------|----------|
| UNSPSC 6.01 | 30211810 |
| UNSPSC 7.0901 | 39121409 |
| UNSPSC 11 | 39121409 |
| UNSPSC 12.01 | 39121409 |
| UNSPSC 13.2 | 39121409 |

Approvals

Approvals

Approvals

DNV GL / CSA / IEC60384-1 / IEC60384-2 / IEC60384-3 / IEC60384-4 / IEC60384-5 / IEC60384-6 / IEC60384-7 / IEC60384-8 / IEC60384-9 / IEC60384-10 / IEC60384-11 / IEC60384-12 / IEC60384-13 / IEC60384-14 / IEC60384-15 / IEC60384-16 / IEC60384-17 / IEC60384-18 / IEC60384-19 / IEC60384-20 / IEC60384-21 / IEC60384-22 / IEC60384-23 / IEC60384-24 / IEC60384-25 / IEC60384-26 / IEC60384-27 / IEC60384-28 / IEC60384-29 / IEC60384-30 / IEC60384-31 / IEC60384-32 / IEC60384-33 / IEC60384-34 / IEC60384-35 / IEC60384-36 / IEC60384-37 / IEC60384-38 / IEC60384-39 / IEC60384-40 / IEC60384-41 / IEC60384-42 / IEC60384-43 / IEC60384-44 / IEC60384-45 / IEC60384-46 / IEC60384-47 / IEC60384-48 / IEC60384-49 / IEC60384-50 / IEC60384-51 / IEC60384-52 / IEC60384-53 / IEC60384-54 / IEC60384-55 / IEC60384-56 / IEC60384-57 / IEC60384-58 / IEC60384-59 / IEC60384-60 / IEC60384-61 / IEC60384-62 / IEC60384-63 / IEC60384-64 / IEC60384-65 / IEC60384-66 / IEC60384-67 / IEC60384-68 / IEC60384-69 / IEC60384-70 / IEC60384-71 / IEC60384-72 / IEC60384-73 / IEC60384-74 / IEC60384-75 / IEC60384-76 / IEC60384-77 / IEC60384-78 / IEC60384-79 / IEC60384-80 / IEC60384-81 / IEC60384-82 / IEC60384-83 / IEC60384-84 / IEC60384-85 / IEC60384-86 / IEC60384-87 / IEC60384-88 / IEC60384-89 / IEC60384-90 / IEC60384-91 / IEC60384-92 / IEC60384-93 / IEC60384-94 / IEC60384-95 / IEC60384-96 / IEC60384-97 / IEC60384-98 / IEC60384-99 / IEC60384-100

Ex Approvals

Approval details

| | | | |
|--------|---|---|------------|
| DNV GL |  | https://approvalfinder.dnvgl.com/ | TAE00001EY |
|--------|---|---|------------|

| | | | |
|--------------------|---|---|-------|
| CSA |  | http://www.csagroup.org/services-industries/product-listing/ | 13631 |
| | B | D | |
| Nominal voltage UN | 300 V | 300 V | |
| Nominal current IN | 15 A | 10 A | |


<https://www.phoenixcontact.com/gb/products/1777837>




Printed-circuit board connector - FRONT-MSTB 2,5/ 5-STF-5,08 - 1777837


Approvals

| | B | D |
|----------------------------|-------|-------|
| mm ² /AWG/kcmil | 22-12 | 22-12 |

| | | | |
|----------------------------|---|---|----------------|
| IECEE CB Scheme |  | http://www.iecee.org/ | DE1-60988-B1B2 |
| Nominal voltage UN | 250 V | | |
| Nominal current IN | 12 A | | |
| mm ² /AWG/kcmil | 0.34-2.5 | | |

| | | | |
|--|---|---|----------|
| VDE Gutachten mit Fertigungsüberwachung |  | http://www2.vde.com/de/Institut/Online-Service/VDE-gepruefteProdukte/Seiten/Online-Suche.aspx | 40004701 |
| Nominal voltage UN | 250 V | | |
| Nominal current IN | 12 A | | |
| mm ² /AWG/kcmil | 0.34-2.5 | | |

| | | |
|-----|---|---------|
| EAC |  | B.01742 |
|-----|---|---------|

| | | | |
|----------------------------|---|---|-----------------|
| cULus Recognized |  | http://database.ul.com/cgi-bin/XYV/template/LISEXT/1FRAME/index.htm | E60425-19931011 |
| | B | D | |
| Nominal voltage UN | 300 V | 300 V | |
| Nominal current IN | 15 A | 10 A | |
| mm ² /AWG/kcmil | 30-12 | 30-12 | |

Phoenix Contact 2019 © - all rights reserved
<http://www.phoenixcontact.com>



SCATTERGOOD & JOHNSON LTD

ELECTRICAL ENGINEERING & FLUID CONTROL DISTRIBUTORS

Est.1899

At Scattergood & Johnson Ltd, we pride ourselves on being a technical distributor to specialist industries.

Working with a range of quality product suppliers across a number of specialist markets, we are not your average 'box shifter' - we are your technical and supply chain partner.

We fully support every product we sell - for free! Our internal team and external sales engineers can answer any product or application question, no matter the complexity.

Backing up this technical ability is a range of 50,000+ products available from stock for nationwide next day delivery (same day if required!), or you can collect what you need from any of our trade counters around the UK.

Select your specialist interest below to learn more about how we can help.



Online, In Branch and On the Road - Scattergood & Johnson Ltd, there when you need us.

www.scatts.co.uk