

## Electronic housing - UM100-PROFIL 100CM - 2914563

Please be informed that the data shown in this PDF Document is generated from our Online Catalog. Please find the complete data in the user's documentation. Our General Terms of Use for Downloads are valid (<http://phoenixcontact.com/download>)

Panel mounting base, length: 1000 mm, Lower part, color: green, width: 1000 mm, Note: required profile length = PCB length - 3.6 mm




### Your advantages

- Lateral elements with potential ground contact available from the PCB to the DIN rail (EMC)
- Inexpensive as a result of reducing the number of separate housing parts
- Flexible size and shape
- Fast assembly on standard NS 35 or NS 32 DIN rails
- Wide range of options for external conductor connection
- High degree of mechanical stability by screwing the lateral elements to the profile
- The modules can be marked with Phoenix Contact marking material using the marking grooves in the press-drawn section



### Key Commercial Data

Packing unit	1 pc
GTIN	 4 017918 959159
GTIN	4017918959159
Weight per Piece (excluding packing)	400.000 g
Custom tariff number	39162000
Country of origin	Germany

### Technical data

#### General

Housing type	Panel mounting base
Housing material	PVC
Color (RAL)	green

#### Ambient conditions

Ambient temperature (operation)	-15 °C ... 50 °C
---------------------------------	------------------

#### Dimensions

# Electronic housing - UM100-PROFIL 100CM - 2914563

## Technical data

### Dimensions

Length	1 m
Width	1000 mm
Depth	122.6 mm

### Standards and Regulations

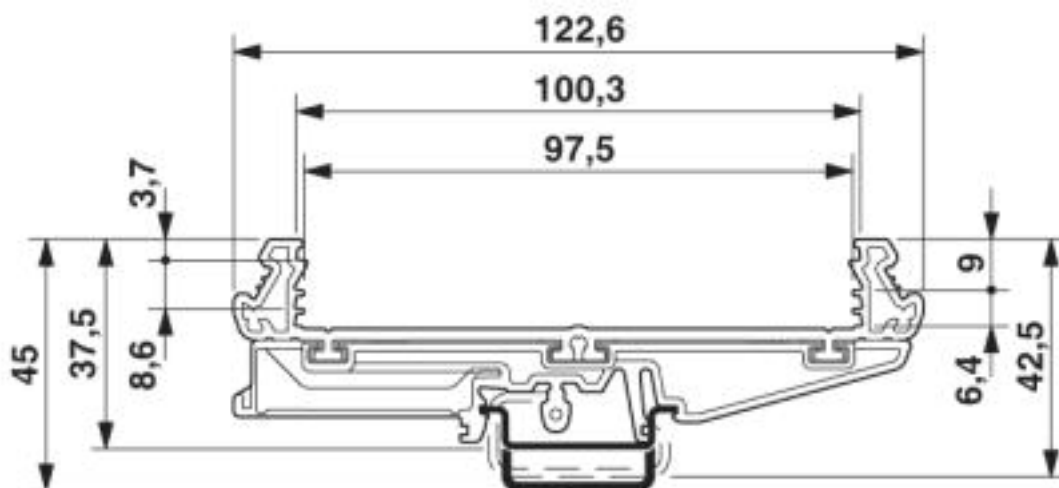
Flammability rating according to UL 94	V0
--	----

### Environmental Product Compliance

China RoHS	Environmentally friendly use period: unlimited = EFUP-e
	No hazardous substances above threshold values

## Drawings

Dimensional drawing



## Classifications

### eCl@ss

eCl@ss 4.0	27180400
eCl@ss 4.1	27180400
eCl@ss 5.0	27180500
eCl@ss 5.1	27180500
eCl@ss 6.0	27180800
eCl@ss 7.0	27182701
eCl@ss 8.0	27182701
eCl@ss 9.0	27182701

### ETIM

ETIM 2.0	EC001031
ETIM 3.0	EC001031

<https://www.phoenixcontact.com/gb/products/2914563>

## Electronic housing - UM100-PROFIL 100CM - 2914563

### Classifications

#### ETIM

ETIM 4.0	EC001031
ETIM 5.0	EC002779
ETIM 6.0	EC002779
ETIM 7.0	EC002779

#### UNSPSC

UNSPSC 6.01	31261501
UNSPSC 7.0901	31261501
UNSPSC 11	31261501
UNSPSC 12.01	31261501
UNSPSC 13.2	31261501

### Approvals

#### Approvals

---

Approvals

EAC

Ex Approvals

#### Approval details

EAC		B.01742
-----	---	---------

Phoenix Contact 2019 © - all rights reserved  
<http://www.phoenixcontact.com>



# SCATTERGOOD & JOHNSON LTD

ELECTRICAL ENGINEERING & FLUID CONTROL DISTRIBUTORS

Est.1899

At Scattergood & Johnson Ltd, we pride ourselves on being a technical distributor to specialist industries.

Working with a range of quality product suppliers across a number of specialist markets, we are not your average 'box shifter' - we are your technical and supply chain partner.

We fully support every product we sell - for free! Our internal team and external sales engineers can answer any product or application question, no matter the complexity.

Backing up this technical ability is a range of 50,000+ products available from stock for nationwide next day delivery (same day if required!), or you can collect what you need from any of our trade counters around the UK.

Select your specialist interest below to learn more about how we can help.



Online, In Branch and On the Road - Scattergood & Johnson Ltd, there when you need us.

# [www.scatts.co.uk](http://www.scatts.co.uk)