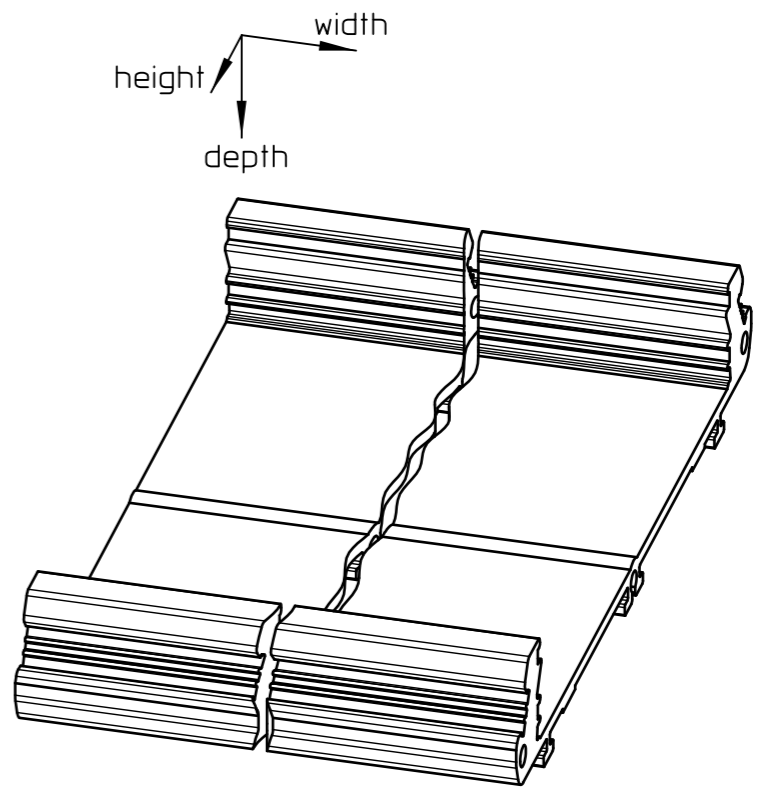
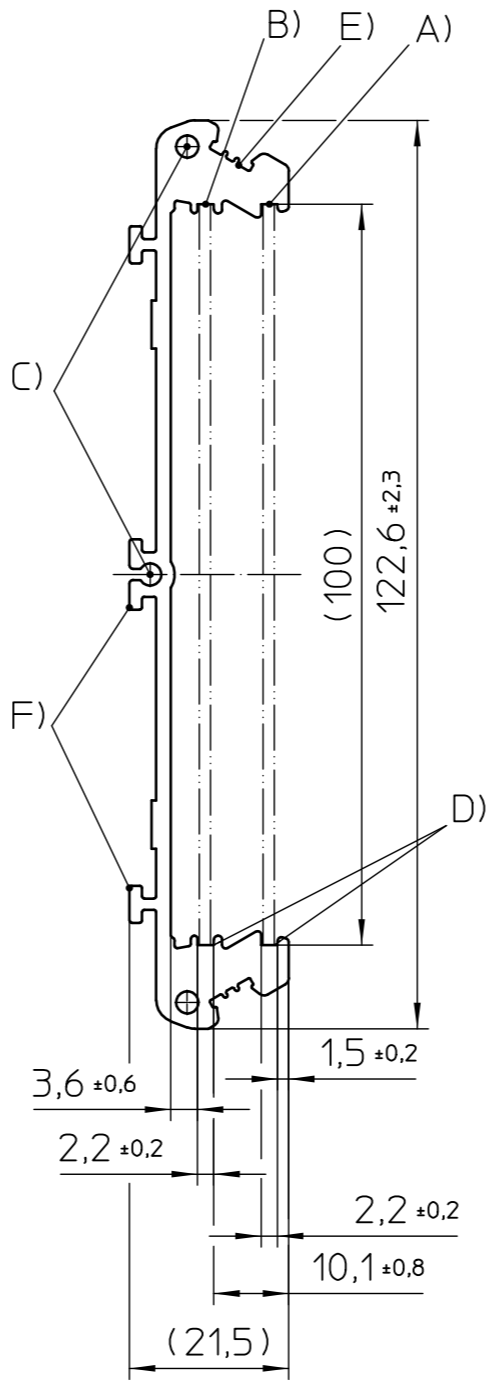
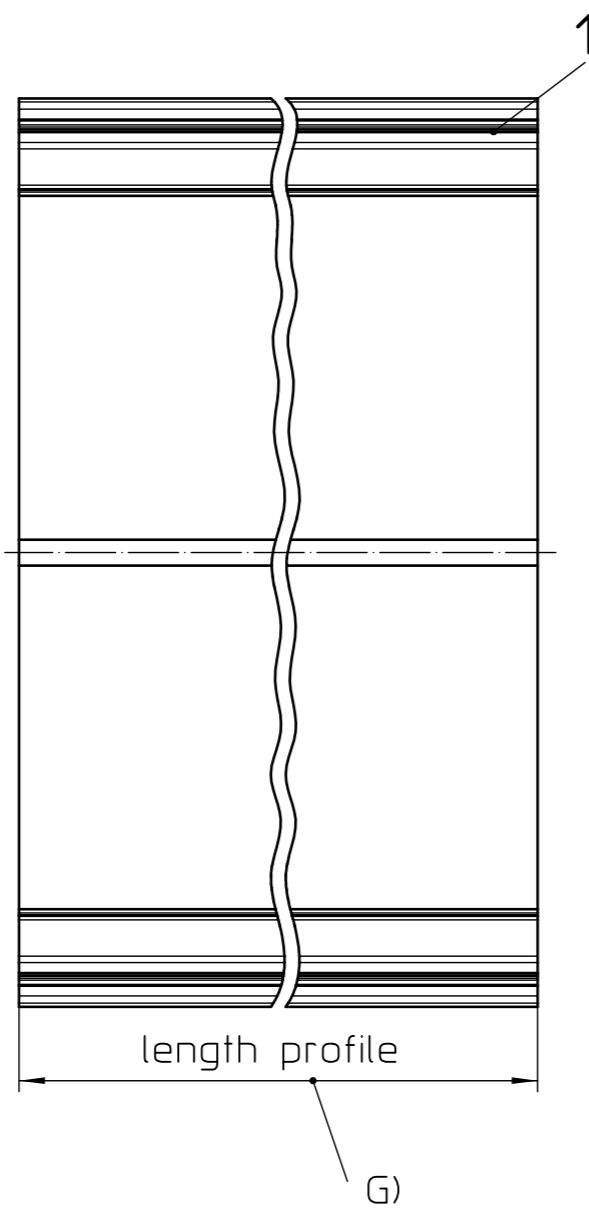


Transfer or duplication of this document as well as the utilisation or communication of its content are not permitted unless express consent is granted. Violations give rise to claims for damages. All rights reserved in case of patent, utility model or design patent registrations.

Weitergabe sowie Vervielfältigung dieses Dokuments, Verwertung und Mitteilung seines Inhalts sind verboten, soweit nicht ausdrücklich gestattet. Zuwiderhandlungen verpflichten zu Schadenersatz. Alle Rechte für den Fall der Patent-, Gebrauchsmuster- oder Designeintragung vorbehalten.

PROFILE



General Information:

- Simplified representation
- Document excluded from change process
- Linear dimensions [mm]
- Tolerances apply in a normal climate according to DIN EN ISO 291-23/50-2.
- Web: www.phoenixcontact.com

Additional Information:

- A) PCB level 1
- B) PCB level 2
- C) Holes for Ø3 screw
- D) PCB-guidance checked by gauge-test
- E) Marker groove for zack marker strip
- F) Guidance for optional UM108-FE
- G) Length of profile according to customer specification
 Length profile min. 30 mm up to max.1000 mm
 Profile length tolerance:
 >=30 up to =120 = ±0,3
 >120 up to =400 = ±0,5
 >400 up to 1000 = ±0,8

- For the UM 100-Profile, the same accessories (side elements, U-profile etc.) are to be used as for the UM 108-Profile.

PCB-Outline:

- Dimensions:
 h=100 ±0,15
 t=1,6 ±0,2
 l=length profile + 3,6
- Recommended PCB-outline see further documentation

Pos.	QTY	Description	Material
1	1	PROFILE	PVC
		DIN A3	document-No. / Rl
		00266508 / 01	date
			14.05.2018
		ident.-No.	scale
		2914563	1:1
		document-type	
		TECDOC 2D_Productdrawing	
		description	
			UM100-PROFIL 100CM
page 1	of 1		



SCATTERGOOD & JOHNSON LTD

ELECTRICAL ENGINEERING & FLUID CONTROL DISTRIBUTORS

Est.1899

At Scattergood & Johnson Ltd, we pride ourselves on being a technical distributor to specialist industries.

Working with a range of quality product suppliers across a number of specialist markets, we are not your average 'box shifter' - we are your technical and supply chain partner.

We fully support every product we sell - for free! Our internal team and external sales engineers can answer any product or application question, no matter the complexity.

Backing up this technical ability is a range of 50,000+ products available from stock for nationwide next day delivery (same day if required!), or you can collect what you need from any of our trade counters around the UK.

Select your specialist interest below to learn more about how we can help.



Online, In Branch and On the Road - Scattergood & Johnson Ltd, there when you need us.

www.scatts.co.uk