

Side element - UM108-SEFE/R - 2959683

Please be informed that the data shown in this PDF Document is generated from our Online Catalog. Please find the complete data in the user's documentation. Our General Terms of Use for Downloads are valid (<http://phoenixcontact.com/download>)

Side element with foot, 5 mm wide (right), for mounting on NS 32 or NS 35/7.5. PCB width: 107.5 mm



Your advantages

- ✓ Lateral elements with potential ground contact available from the PCB to the DIN rail (EMC)
- ✓ Fast assembly on standard NS 35 or NS 32 DIN rails
- ✓ Flexible size and shape
- ✓ Wide range of options for external conductor connection
- ✓ Inexpensive as a result of reducing the number of separate housing parts
- ✓ High degree of mechanical stability by screwing the lateral elements to the profile
- ✓ The modules can be marked with Phoenix Contact marking material using the marking grooves in the press-drawn section



Key Commercial Data

Packing unit	10 pc
Minimum order quantity	10 pc
GTIN	 4 017918 086336
GTIN	4017918086336
Weight per Piece (excluding packing)	8.980 g
Custom tariff number	85389099
Country of origin	Poland

Technical data

General

Housing type	Panel mounting base
Housing material	PA
Color (RAL)	green

Dimensions

Depth	122.6 mm
-------	----------

Side element - UM108-SEFE/R - 2959683

Technical data

Standards and Regulations

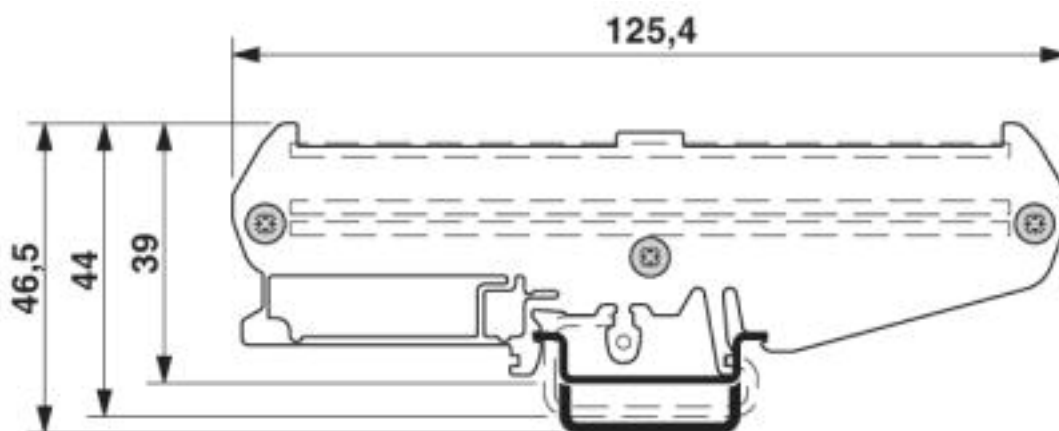
Flammability rating according to UL 94	V0
--	----

Environmental Product Compliance

China RoHS	Environmentally friendly use period: unlimited = EFUP-e
	No hazardous substances above threshold values

Drawings

Dimensional drawing



Classifications

eCl@ss

eCl@ss 10.0.1	27182701
eCl@ss 4.0	27180400
eCl@ss 4.1	27180400
eCl@ss 5.0	27180500
eCl@ss 5.1	27180500
eCl@ss 6.0	27180800
eCl@ss 7.0	27182701
eCl@ss 8.0	27182701
eCl@ss 9.0	27182701

ETIM

ETIM 2.0	EC001031
ETIM 3.0	EC001031
ETIM 4.0	EC001031
ETIM 5.0	EC002779
ETIM 6.0	EC002779
ETIM 7.0	EC002779

<https://www.phoenixcontact.com/gb/products/2959683>



Side element - UM108-SEFE/R - 2959683

Classifications

UNSPSC

UNSPSC 6.01	31261501
UNSPSC 7.0901	31261501
UNSPSC 11	31261501
UNSPSC 12.01	31261501
UNSPSC 13.2	31261501

Approvals

Approvals


Approvals

UL Recognized / EAC

Ex Approvals

Approval details

UL Recognized		http://database.ul.com/cgi-bin/XYV/template/LISEXT/1FRAME/index.htm	FILE E 240868
---------------	---	---	---------------

EAC			B.01742
-----	---	--	---------

Phoenix Contact 2019 © - all rights reserved
<http://www.phoenixcontact.com>



SCATTERGOOD & JOHNSON LTD

ELECTRICAL ENGINEERING & FLUID CONTROL DISTRIBUTORS

Est.1899

At Scattergood & Johnson Ltd, we pride ourselves on being a technical distributor to specialist industries.

Working with a range of quality product suppliers across a number of specialist markets, we are not your average 'box shifter' - we are your technical and supply chain partner.

We fully support every product we sell - for free! Our internal team and external sales engineers can answer any product or application question, no matter the complexity.

Backing up this technical ability is a range of 50,000+ products available from stock for nationwide next day delivery (same day if required!), or you can collect what you need from any of our trade counters around the UK.

Select your specialist interest below to learn more about how we can help.



Online, In Branch and On the Road - Scattergood & Johnson Ltd, there when you need us.

www.scatts.co.uk