

<https://www.phoenixcontact.com/us/products/2313805>

Bluetooth converter - PSI-WL-RS232-RS485/BT/2DO - 2313805

Please be informed that the data shown in this PDF Document is generated from our Online Catalog. Please find the complete data in the user's documentation. Our General Terms of Use for Downloads are valid (<http://phoenixcontact.com/download>)



Bluetooth converter, wireless transmission: RS-232/RS-422/RS-485 2-wire, mounting on EN DIN rails, MCX connection for external antenna, integrated path diagnostics: bar graph + two digital outputs

Product Description


The products are offered exclusively for export outside the EU and the European Economic Area.

Your advantages

- ✓ Local configuration via USB interface without separate power supply unit
- ✓ Multipoint with up to seven slaves
- ✓ Suitable for worldwide use thanks to adjustable transmission power (-28 ... 14 dBm)
- ✓ Wireless path diagnostics using integrated bar graphs and 2 digital outputs
- ✓ Secure and tamper-proof data transmission thanks to password protection, encryption, plus fixed and invisible device pairing
- ✓ Coexistence with other wireless systems due to the adaptive frequency hopping (AFH) method
- ✓ Can be used for RS-232/RS-422/RS-485 2-wire interfaces up to 187.5 kbps
- ✓ Transceiver for distances of up to 150 m
- ✓ Installation of parallel wireless paths by cross-wiring 24 V DC and RS-485



Key Commercial Data

Packing unit	1 pc
GTIN	 4 046356 567572
GTIN	4046356567572
Weight per Piece (excluding packing)	180.000 g
Custom tariff number	85176200
Country of origin	Germany

Bluetooth converter - PSI-WL-RS232-RS485/BT/2DO - 2313805

Technical data

Note

Trade restriction	The products are offered exclusively for export outside the EU and the European Economic Area.
-------------------	--

Dimensions

Width	22.5 mm
Height	99 mm
Depth	116 mm

Ambient conditions

Ambient temperature (operation)	-20 °C ... 60 °C
Ambient temperature (storage/transport)	-40 °C ... 85 °C
Permissible humidity (operation)	10 % ... 95 % (non-condensing)
Permissible humidity (storage/transport)	5 % ... 95 % (non-condensing)
Altitude	≤ 5000 m (For restrictions, see the manufacturer's declaration for altitude operation)
Degree of protection	IP20
Noise immunity	EN 61000-6-2:2005

General

Electrical isolation	VCC // Bluetooth, RS-232, RS-422, RS-485, USB
Test voltage data interface/power supply	1.5 kV AC (50 Hz, 1 min.)
Electromagnetic compatibility	Conformance with R&TTE directive 1999/5/EC
Noise emission	EN 55011
Net weight	195.4 g
Housing material	PA 6.6-FR
Color	green
MTBF	1153 Years (Telcordia standard, 25°C temperature, 21% operating cycle (5 days a week, 8 hours a day))
	262 Years (Telcordia standard, 40°C temperature, 34.25% operating cycle (5 days a week, 12 hours a day))
MTTF	2115 Years (SN 29500 standard, temperature 25 °C, operating cycle 21 % (5 days a week, 8 hours a day))
	850 Years (SN 29500 standard, temperature 40 °C, operating cycle 34.25 % (5 days a week, 12 hours a day))
	346 Years (SN 29500 standard, temperature 40 °C, operating cycle 100 % (7 days a week, 24 hours a day))
Wireless licences	Switzerland
	Turkey (The device may only be operated with Phoenix Contact antennas in accordance with the "Short Range Radio Devices (SRD) Regulations" Gazette No. 26464 dated March 16, 2007.)
	USA

Bluetooth converter - PSI-WL-RS232-RS485/BT/2DO - 2313805

Technical data

General

	Belarus (Maximum transmission power of 25 mW (14 dBm) outside of buildings)
	South Korea

Power supply

Nominal supply voltage	24 V DC \pm 20 % (as an alternative or redundant, via backplane bus contact and system current supply)
Supply voltage range	10 V DC ... 30 V DC (via pluggable COMBICON screw terminal block)
	19 V AC ... 29 V AC (50/60 Hz)
Typical current consumption	\leq 100 mA (24 V DC)

Serial interface

Interface 1	V.24 (RS-232) interface in acc. with ITU-T V.28, EIA/TIA-232, DIN 66259-1
Interface	RS-232
Connection method	D-SUB 9 plug
File format/coding	Serial asynchronous UART/NRZ, 8 data, 1/2 stop, 1 parity, 10/11-bit character length
Transmission length	\leq 15 m
Pin assignment	DCE (Data Communication Equipment)
Data flow control/protocols	Software handshake, Xon/Xoff, or hardware handshake RTS/CTS, 3964 compatible
Serial transmission speed	1.2; 2.4; 4.8; 7.2; 9.6; 19.2; 31.25; 38.4; 57.6; 75; 93.75; 115.2 kbps
Interface 2	RS-422 interface in acc. with ITU-T V.11, EIA/TIA-422, DIN 66348-1
Interface	RS-422
Connection method	Pluggable screw connection
File format/coding	Serial asynchronous UART/NRZ, 8 data, 1/2 stop, 1 parity, 10/11-bit character length
Transmission length	\leq 1200 m
Termination resistor	390 Ω (configurable)
	180 Ω
	390 Ω
Data flow control/protocols	Automatic control
Serial transmission speed	1.2; 2.4; 4.8; 7.2; 9.6; 19.2; 31.25; 38.4; 57.6; 75; 93.75; 115.2; 136; 187.5 kbps
Interface 3	RS-485 interface, in acc. with EIA/TIA-485, DIN 66259-4/RS-485 2-wire
Interface	RS-485 2-wire
Connection method	Pluggable screw connection
File format/coding	Serial asynchronous UART/NRZ, 8 data, 1/2 stop, 1 parity, 10/11-bit character length
Transmission length	\leq 1200 m
Termination resistor	390 Ω (configurable)

Bluetooth converter - PSI-WL-RS232-RS485/BT/2DO - 2313805

Technical data

Serial interface

	180 Ω
	390 Ω
Data flow control/protocols	Automatic control
Serial transmission speed	1.2; 2.4; 4.8; 7.2; 9.6; 19.2; 31.25; 38.4; 57.6; 75; 93.75; 115.2; 136; 187.5 kbps
Interface 4	USB 2.0
Interface	USB
Connection method	Mini-USB B, socket

Wireless interface

Interface description	Bluetooth 2.1 + EDR
Frequency range	2.402 GHz ... 2.48 GHz (ISM bandwidth)
Transmission method	1.6 kHz (FHSS)
Channel distance	1 MHz
Transmit capacity, minimum	0 dBm
Transmit capacity, maximum	14 dBm (Outside of Europe, adjustable via software)
	10 dBm (Europe, can be set via software)
	10 dBm (Default setting, adjustable)
Minimum receiver sensitivity	-91 dBm
Antenna	External
Connection method	MCX socket
Bluetooth Multidrop master/slave	1/7
Operating mode	GAP: Generic Access Profile (Method for authentication and connection establishment)
	SDAP: Service Discovery Application (Method for requesting supported services)
	SPP: Serial Port Profile (COM port emulation method)
	DUN: Dial-Up Networking Profile (Modem dialing method)
	LAP: LAN Access Point Profile (Network connection method)
Country support	Switzerland
	Turkey (The device may only be operated with Phoenix Contact antennas in accordance with the "Short Range Radio Devices (SRD) Regulations" Gazette No. 26464 dated March 16, 2007.)
	USA
	Belarus (Maximum transmission power of 25 mW (14 dBm) outside of buildings)
	South Korea

Digital outputs

Output name	Digital outputs
-------------	-----------------

Bluetooth converter - PSI-WL-RS232-RS485/BT/2DO - 2313805

Technical data

Digital outputs

Number of outputs	2
-------------------	---

Standards and Regulations

Electromagnetic compatibility	Conformance with R&TTE directive 1999/5/EC
Type of test	Free fall in acc. with IEC 60068-2-32
Test result	1 m
Type of test	Vibration resistance in acc. with EN 60068-2-6/IEC 60068-2-6
Test result	5g, 10...150 Hz, 2.5 h, in XYZ direction
Type of test	Shock in acc. with EN 60068-2-27/IEC 60068-2-27
Test result	15g, 11 ms period, half-sine shock pulse
Noise emission	EN 55011
Noise immunity	EN 61000-6-2:2005
Free from substances that could impair the application of coating	according to P-VW 3.10.7 57 65 0 VW-AUDI-Seat central standard
Standards/regulations	EN 61000-4-2
Contact discharge	± 6 kV
Standards/regulations	EN 61000-4-3
Frequency range	80 MHz ... 3 GHz
Standards/regulations	EN 61000-4-4
Comments	Criterion B
Standards/regulations	EN 61000-4-5
Signal	± 1 kV
Standards/regulations	EN 55032
	EN 61000-4-6
	FCC Part 15.247 / ISC RSS 210

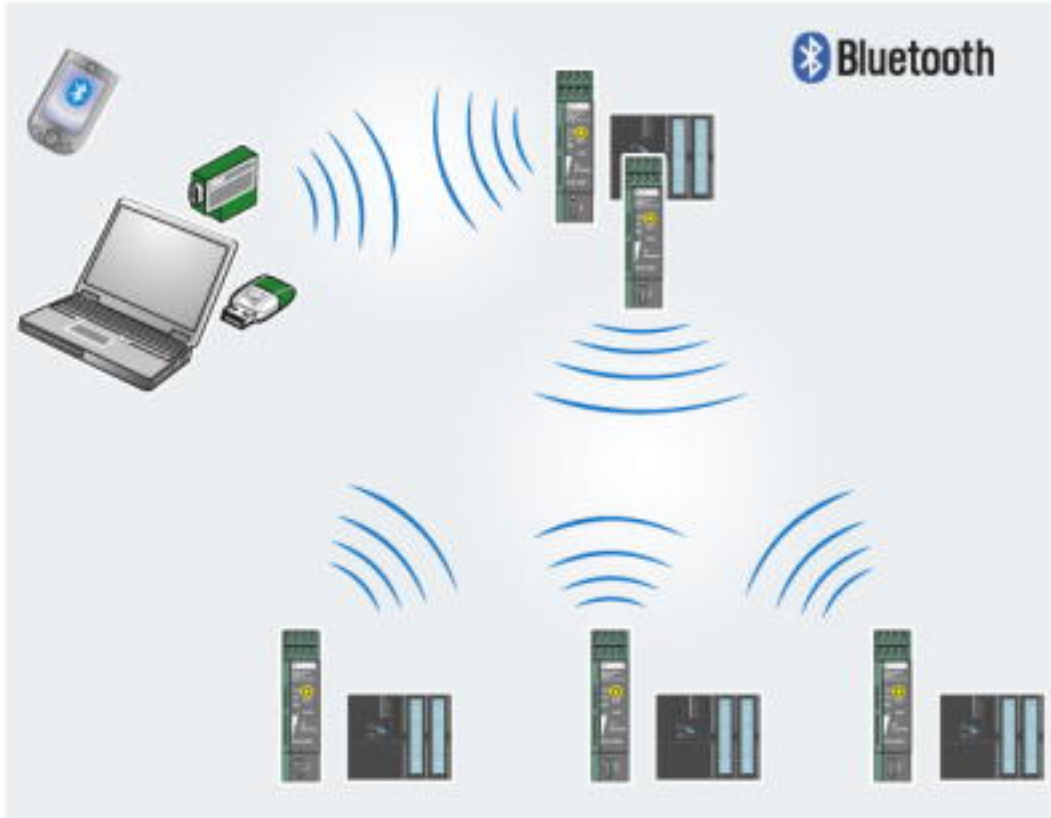
Environmental Product Compliance

China RoHS	Environmentally Friendly Use Period = 50
	For details about hazardous substances go to tab "Downloads", Category "Manufacturer's declaration"

Drawings

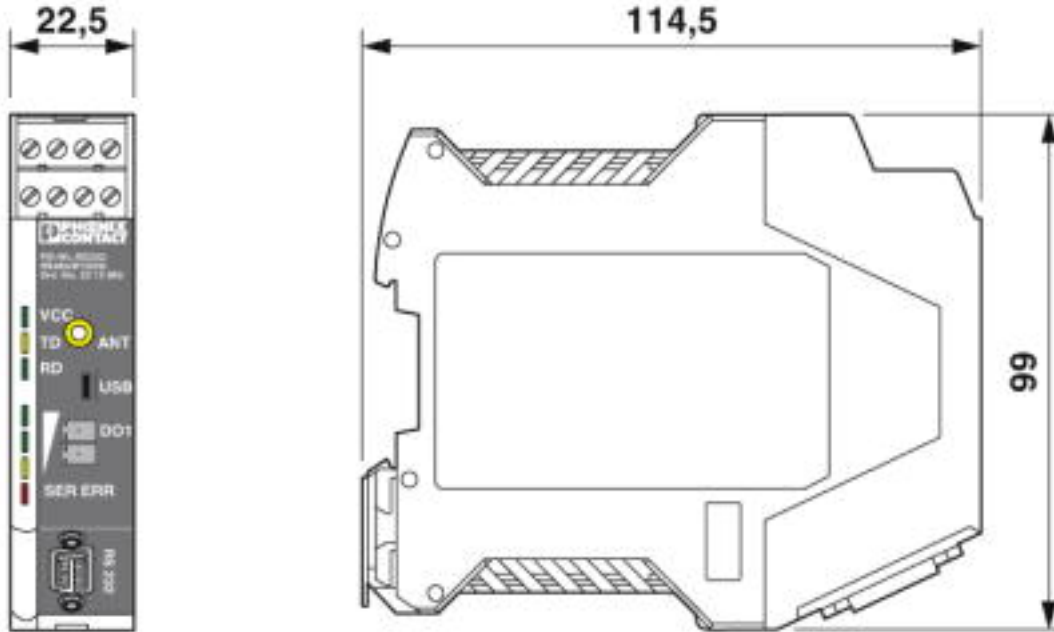
Bluetooth converter - PSI-WL-RS232-RS485/BT/2DO - 2313805

Functional drawing



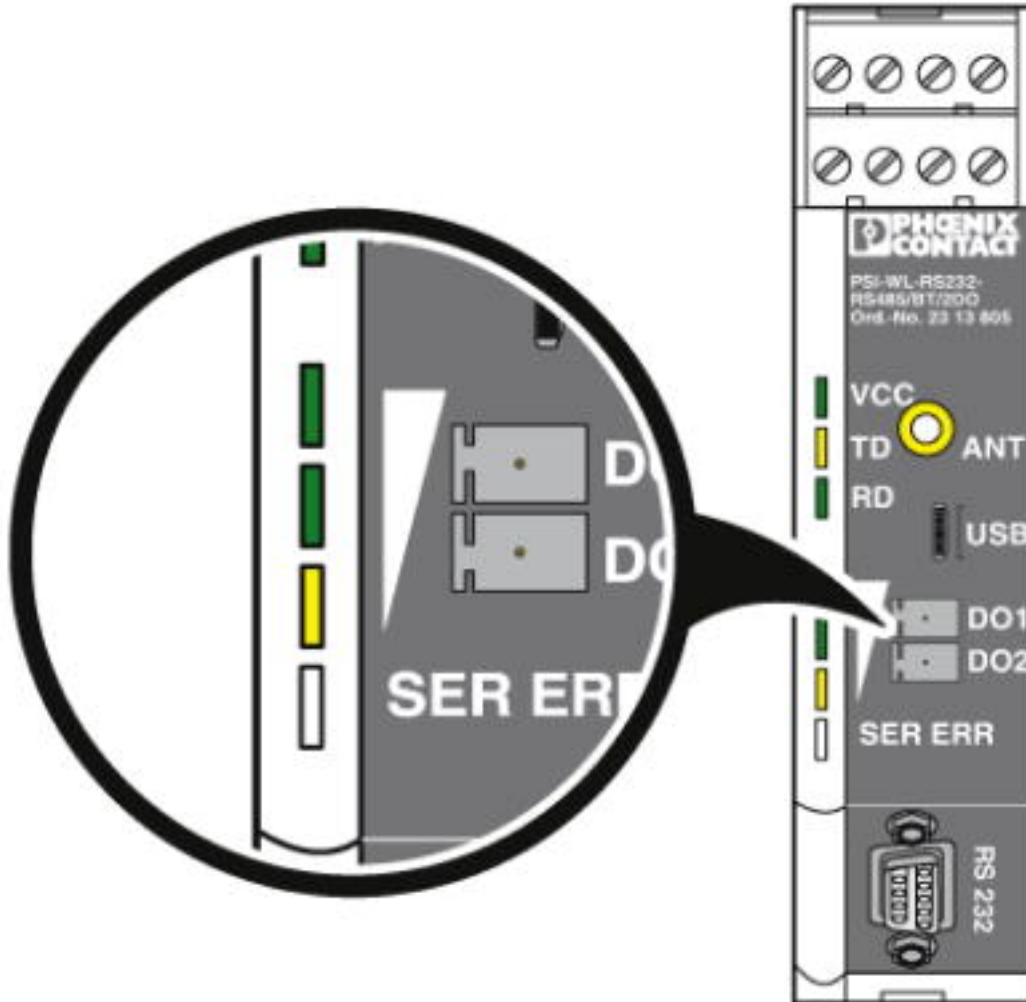
Bluetooth converter - PSI-WL-RS232-RS485/BT/2DO - 2313805

Dimensional drawing



Bluetooth converter - PSI-WL-RS232-RS485/BT/2DO - 2313805

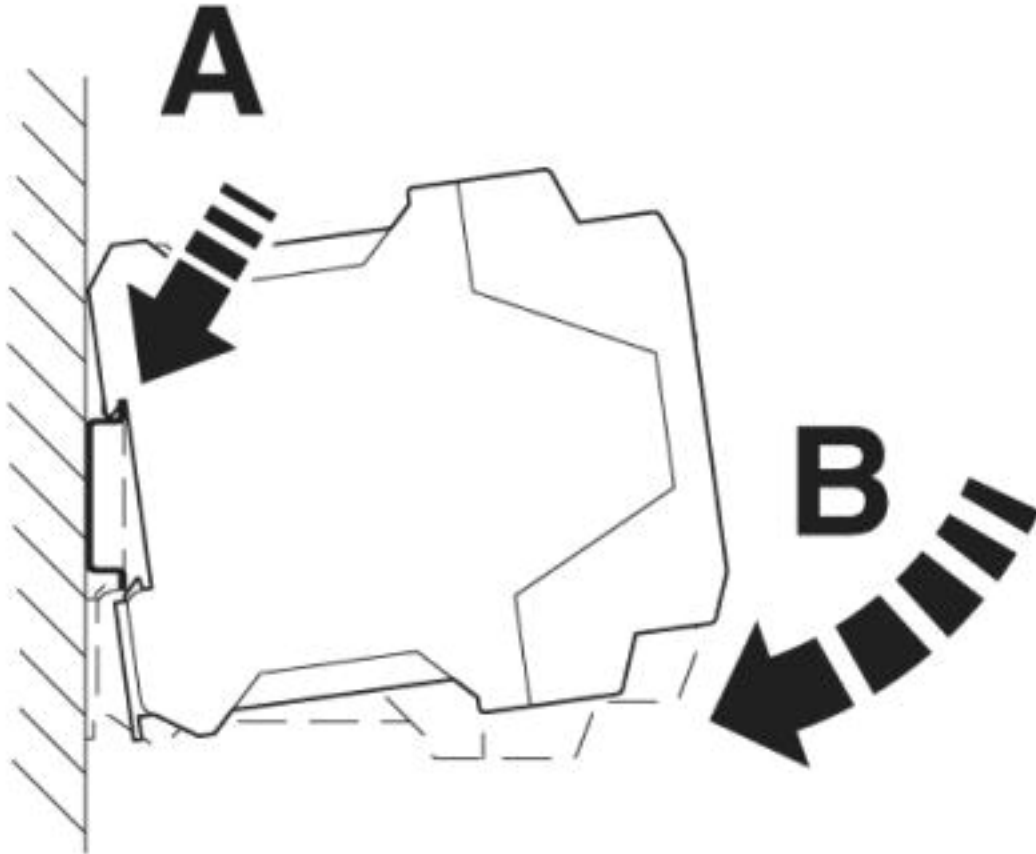
Schematic diagram



Diagnostic and status indicators

Bluetooth converter - PSI-WL-RS232-RS485/BT/2DO - 2313805

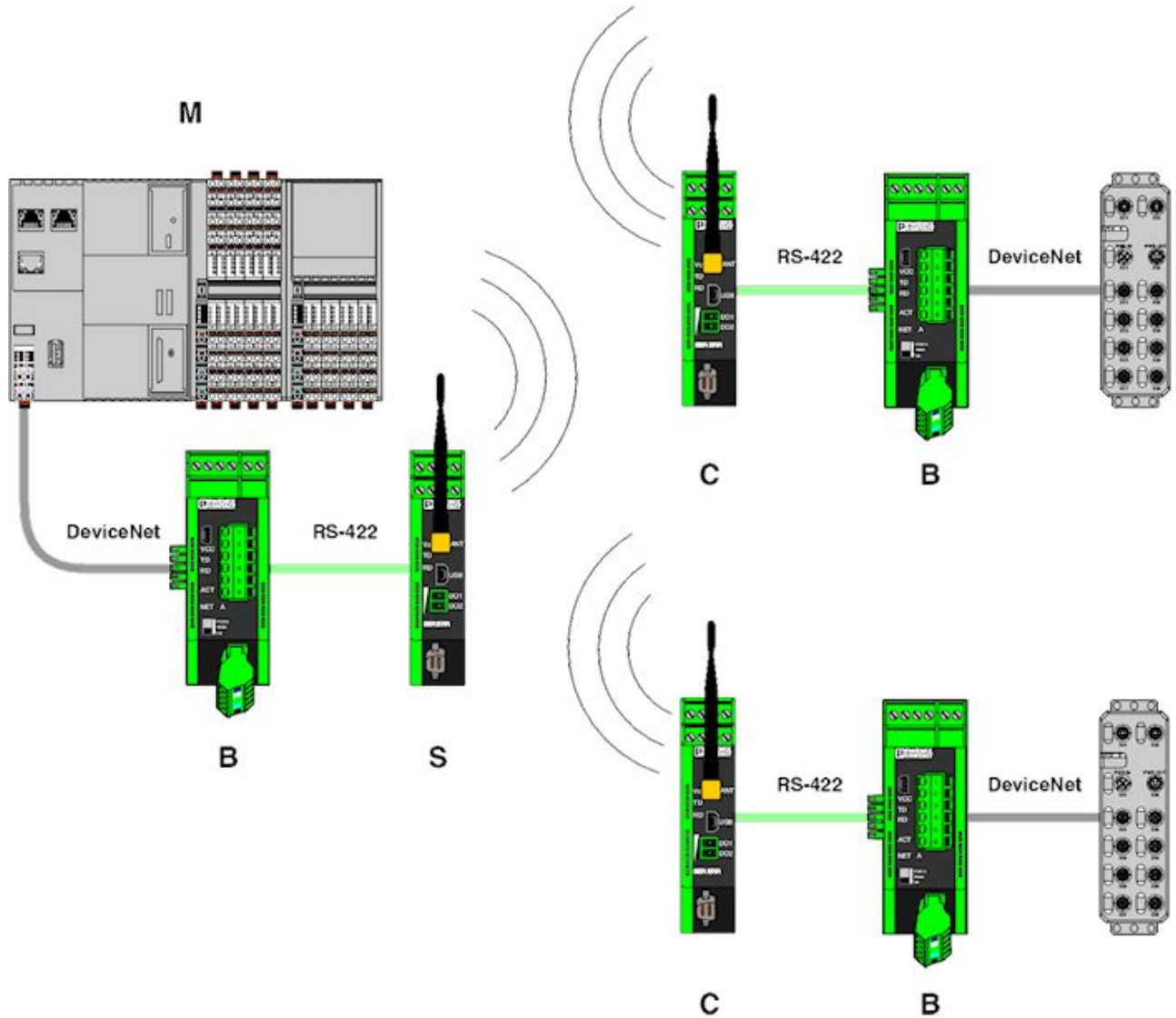
Schematic diagram



Mounting

Bluetooth converter - PSI-WL-RS232-RS485/BT/2DO - 2313805

Application drawing



<https://www.phoenixcontact.com/us/products/2313805>

Bluetooth converter - PSI-WL-RS232-RS485/BT/2DO - 2313805

Classifications

eCl@ss

eCl@ss 4.0	27250313
eCl@ss 4.1	27250313
eCl@ss 5.0	27242214
eCl@ss 5.1	27242200
eCl@ss 6.0	19179200
eCl@ss 7.0	19179290
eCl@ss 8.0	19179290
eCl@ss 9.0	19179290

ETIM

ETIM 3.0	EC001467
ETIM 4.0	EC001467
ETIM 5.0	EC000310
ETIM 6.0	EC000310

UNSPSC

UNSPSC 6.01	30211506
UNSPSC 7.0901	39121008
UNSPSC 11	39121008
UNSPSC 12.01	39121008
UNSPSC 13.2	43222604

Phoenix Contact 2019 © - all rights reserved
<http://www.phoenixcontact.com>



SCATTERGOOD & JOHNSON LTD

ELECTRICAL ENGINEERING & FLUID CONTROL DISTRIBUTORS

Est.1899

At Scattergood & Johnson Ltd, we pride ourselves on being a technical distributor to specialist industries.

Working with a range of quality product suppliers across a number of specialist markets, we are not your average 'box shifter' - we are your technical and supply chain partner.

We fully support every product we sell - for free! Our internal team and external sales engineers can answer any product or application question, no matter the complexity.

Backing up this technical ability is a range of 50,000+ products available from stock for nationwide next day delivery (same day if required!), or you can collect what you need from any of our trade counters around the UK.

Select your specialist interest below to learn more about how we can help.



Online, In Branch and On the Road - Scattergood & Johnson Ltd, there when you need us.

www.scatts.co.uk