

## Antenna - ANT-OMNI-868-01 - 2702136

Please be informed that the data shown in this PDF Document is generated from our Online Catalog. Please find the complete data in the user's documentation. Our General Terms of Use for Downloads are valid (<http://phoenixcontact.com/download>)




Omnidirectional antenna, 868 MHz, gain: 4 dBi, polarization: linear, opening angle: h/v 360°/30°, degree of protection: IP67, seawater-resistant, connection: N (female), incl. mounting bracket and mast clips, ATEX and IECEx approval

### Your advantages

- For use in potentially explosive areas
- For medium distances
- For freely mobile applications
- For multipoint or mesh connections



### Key Commercial Data

Packing unit	1 pc
GTIN	 4 046356 995863
GTIN	4046356995863
Weight per Piece (excluding packing)	285.000 g
Custom tariff number	85177000
Country of origin	Taiwan

### Technical data

#### Dimensions

Height	620 mm
Diameter	20 mm

#### Ambient conditions

Degree of protection	IP67
Ambient temperature (operation)	-40 °C ... 75 °C
Ambient temperature (storage/transport)	-40 °C ... 85 °C

#### General

Frequency range	868 MHz
	868 MHz ... 870 MHz
Horizontal beamwidth	360 °
Vertical beamwidth	30 °

# Antenna - ANT-OMNI-868-01 - 2702136

## Technical data

### General

Polarization	Linear vertical
Impedance	50 $\Omega$
Gain	4 dBi
Connection method	N (female)
Material	Fiberglass-reinforced plastic (Antenna housing)
	Fiberglass-reinforced plastic (Bracket)
	V2A (U-shaped screw)
Mounting type	Mast mounting or wall mounting
External diameter	30 mm ... 45 mm (Mast)

### Conformance/approvals

Designation	CE
Identification	CE-compliant
Designation	ATEX
Identification	# II 1G Ex ia IIC T6 Ga
Certificate	IBExU14 ATEX1116X
Additional text	Please follow the special installation instructions in the documentation!
Designation	IECEX
Identification	Ex ia IIC T6 Ga
Certificate	IBE 14.0039X

### Standards and Regulations

Standards/regulations	EN 60079-0
	EN 60079-11
	EN 60079-26

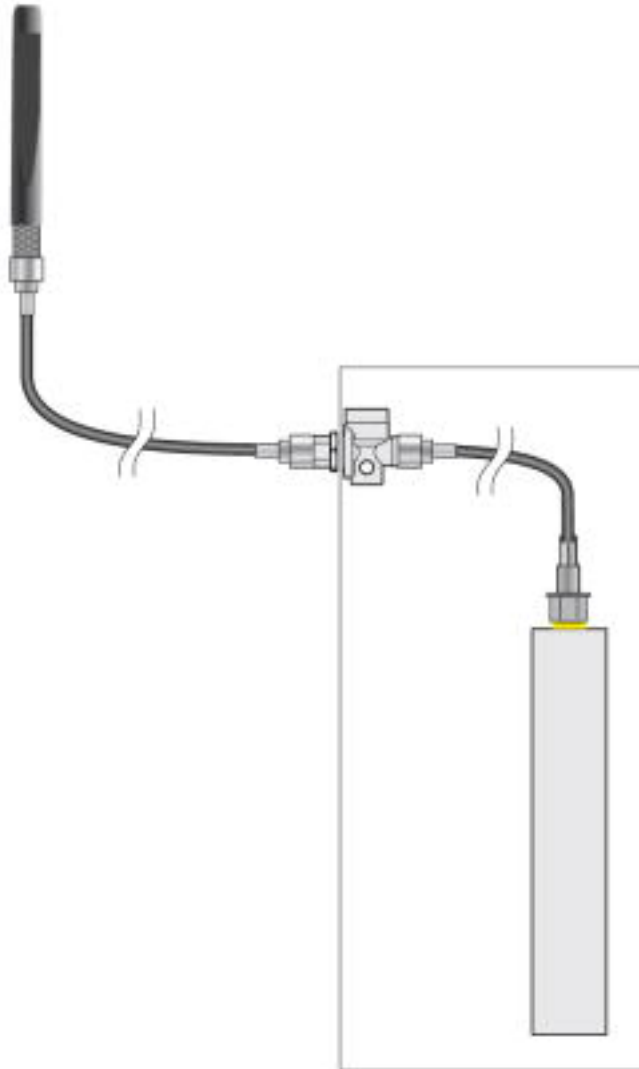
### Environmental Product Compliance

REACH SVHC	Lead 7439-92-1
------------	----------------

## Drawings

# Antenna - ANT-OMNI-868-01 - 2702136

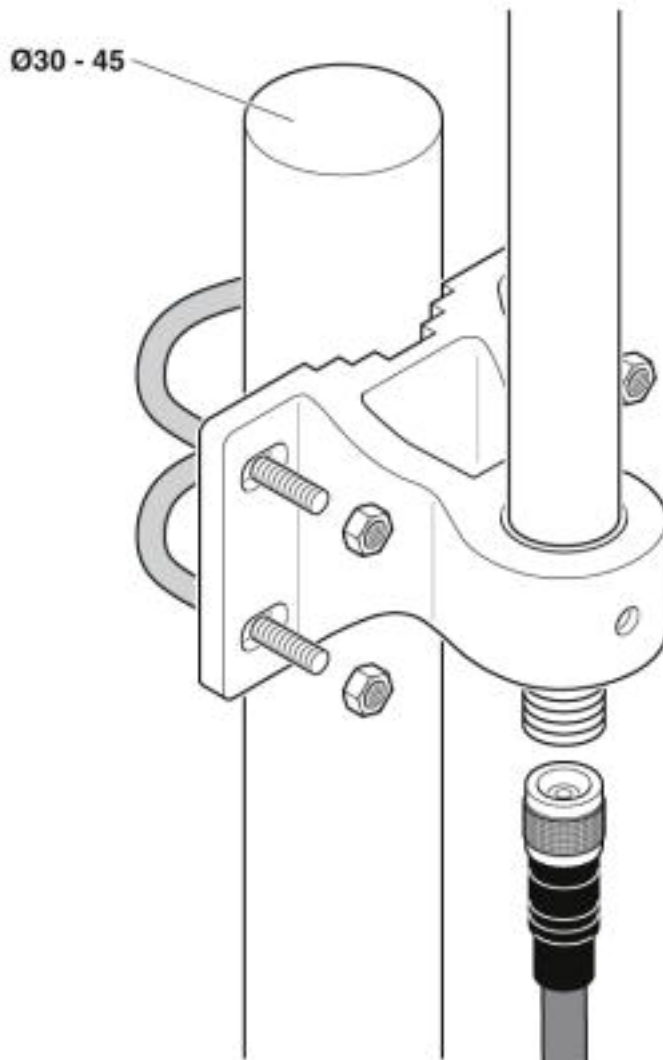
Schematic diagram



Installation example

# Antenna - ANT-OMNI-868-01 - 2702136

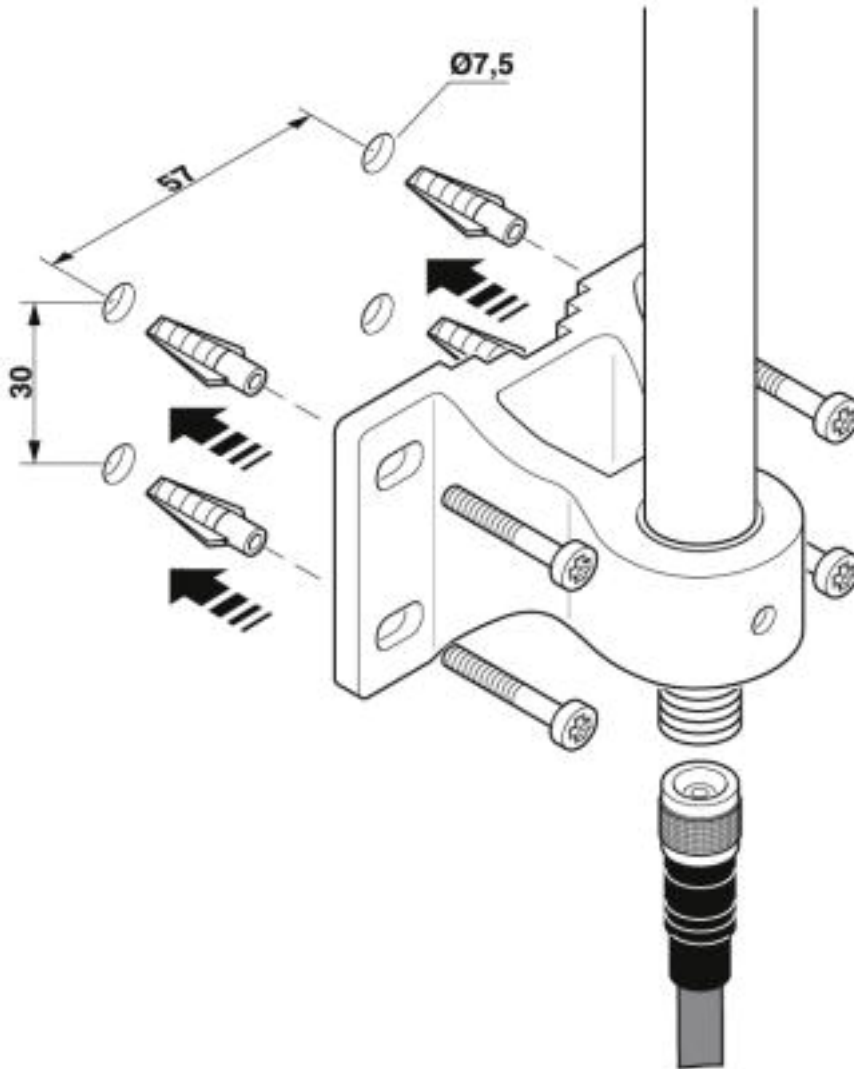
Schematic diagram



Mast mounting

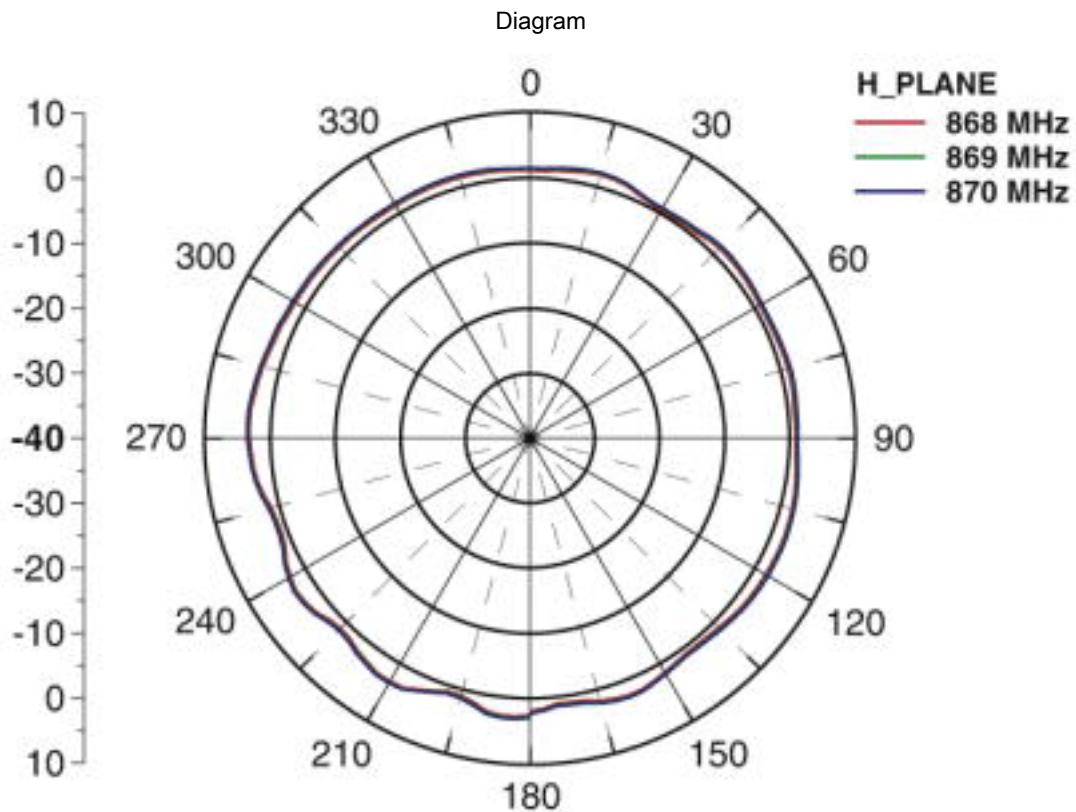
# Antenna - ANT-OMNI-868-01 - 2702136

Schematic diagram



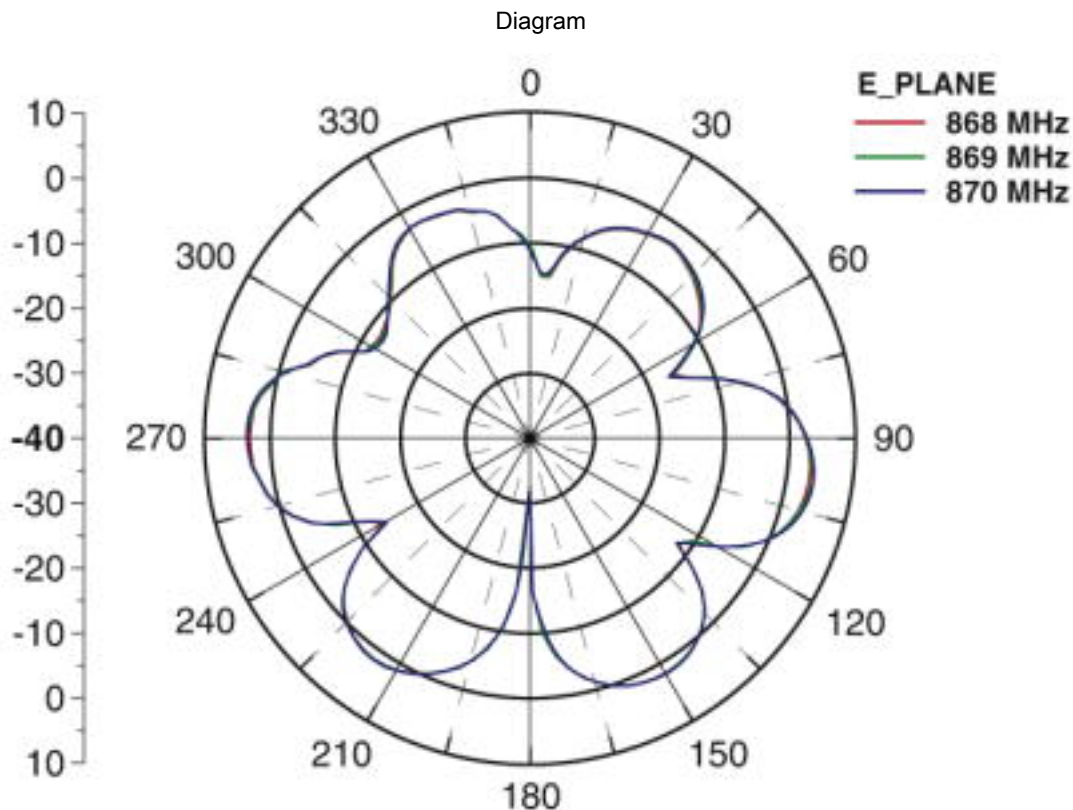
Wall mounting

# Antenna - ANT-OMNI-868-01 - 2702136



Horizontal

# Antenna - ANT-OMNI-868-01 - 2702136



Vertical

## Classifications

eCl@ss

eCl@ss 5.0	19070100
eCl@ss 5.1	19070100
eCl@ss 6.0	19070100
eCl@ss 7.0	19070102
eCl@ss 8.0	19070102
eCl@ss 9.0	19070102

ETIM

ETIM 4.0	EC000416
ETIM 5.0	EC000416
ETIM 6.0	EC000416
ETIM 7.0	EC000416



# SCATTERGOOD & JOHNSON LTD

ELECTRICAL ENGINEERING & FLUID CONTROL DISTRIBUTORS

Est.1899

At Scattergood & Johnson Ltd, we pride ourselves on being a technical distributor to specialist industries.

Working with a range of quality product suppliers across a number of specialist markets, we are not your average 'box shifter' - we are your technical and supply chain partner.

We fully support every product we sell - for free! Our internal team and external sales engineers can answer any product or application question, no matter the complexity.

Backing up this technical ability is a range of 50,000+ products available from stock for nationwide next day delivery (same day if required!), or you can collect what you need from any of our trade counters around the UK.

Select your specialist interest below to learn more about how we can help.



Online, In Branch and On the Road - Scattergood & Johnson Ltd, there when you need us.

# [www.scatts.co.uk](http://www.scatts.co.uk)