

CN-LAMBDA/4-5.9-...

COAXTRAB Surge Voltage Protection for Mobile Phone and Radio Relay Systems

TRABTECH

Data Sheet

2315_en_D

© PHOENIX CONTACT - 09/2008



1 Description

The CN-LAMBDA/4-5.9-... with N-type connector protects radio devices against surge voltage. Placed between the antenna and radio, transient voltages are prevented from damaging equipment. With its high energy-absorbing capacity, the CN-LAMBDA/4-5.9-... greatly reduces system failure when using exposed antenna systems.

The Lambda/4 technology provides excellent protection with limited signal degradation. Compatible with 2.4 to 5.9 GHz signals, the adapter is ideal for protecting mobile and cordless phones and satellite location systems.

For maximum protection, place an adapter at each end of the cable to protect against both lightning strikes and transient voltage picked up by the cable. The adapter includes a seal for mounting through a 16 mm diameter hole in a bulkhead. An optional mounting bracket allows mounting to a plate. Grounding is through the bulkhead, optional bracket or separate wire (up to 4 AWG/25 mm²) attached to the grounding lug (requires user-supplied M8 screw).

Phoenix Contact offers a full line of surge protection products. For additional information, visit our website at www.phoenixcon.com/trabtech.

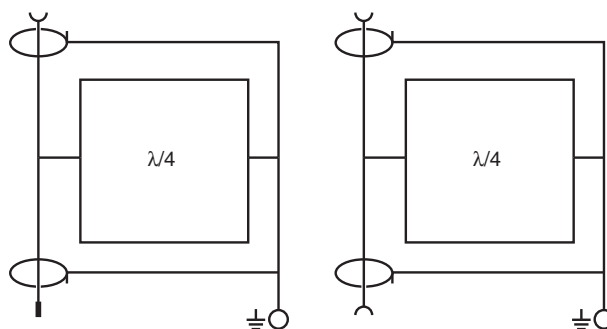


Figure 1 Function Diagrams

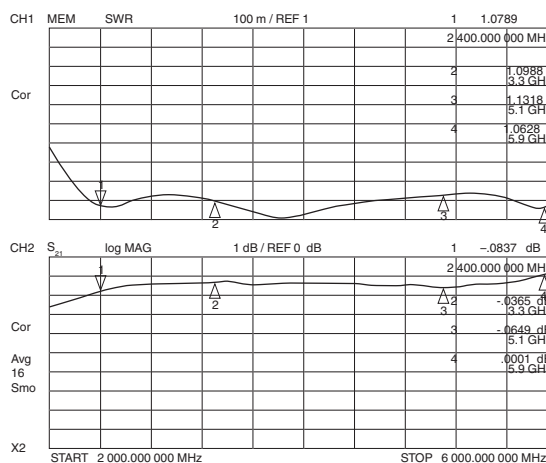


Figure 2 Typical VSWR and Insertion Loss



Make sure to always use the latest documentation. It can be downloaded at www.download.phoenixcontact.com.



2 Ordering Data

Products

Description	Type	Order No.	Pcs./Pkt
COAXTRAB, Protective adapter for antenna connection, female-female connector	CN-LAMBDA/4/5.9-BB	2838490	1
COAXTRAB, Protective adapter for antenna connection, male-female connector	CN-LAMBDA/4/5.9-SB	2800023	1

Accessories

Description	Type	Order No.	Pcs./Pkt
CN-UB Assembly Bracket, 90°, 50 mm	CN-UB/MP-90DEG-50	2803137	1

3 Technical Data

General Data

Weight	140 g (0.31 lb.)
Degree of protection	IP 68

RF Specifications

Frequency	2.4-5.9 GHz
VSWR (typical/maximum)	1.1/1.2
Insertion loss (typical/maximum)	0.05/0.15 dB
Return loss (typical/maximum)	-26.4/-20.8 dB
RF Power	0.5 kW _{AVG} /4 kW _{PK}

Surge Protection

Maximum discharge surge current I_{max}	60 kA _{PK} (8/20 μs)
Nominal discharge surge current I_n	50 kA _{PK} (8/20 μs)
Let-through voltage	11 V/9μJ @ 6 kV/3 kA; 1.2 x 50/8x20 μs waveform
I_{imp} (10/350) μs	20 kA

Approvals

CE	EN
----	----

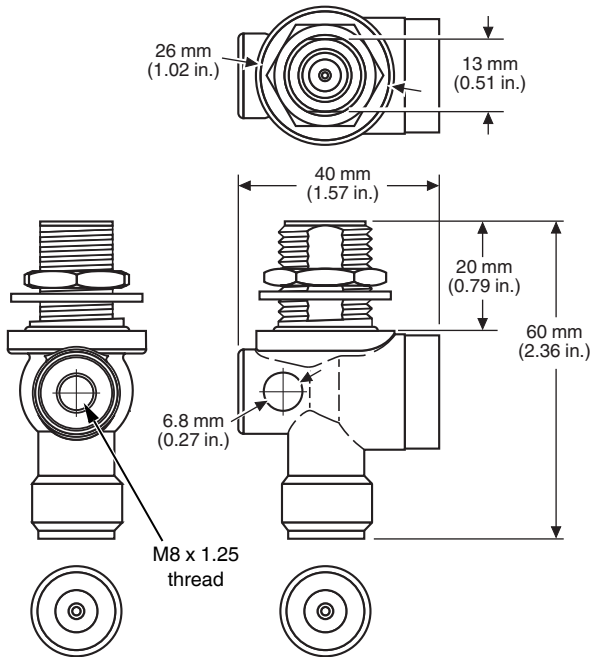


Figure 3 CN-LAMBDA/4-5.9-BB dimensions

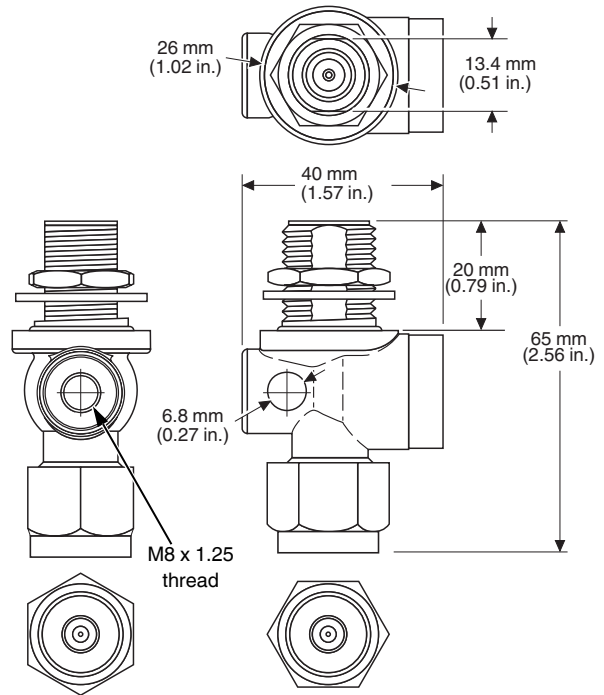


Figure 4 CN-LAMBDA/4-5.9-SB dimensions

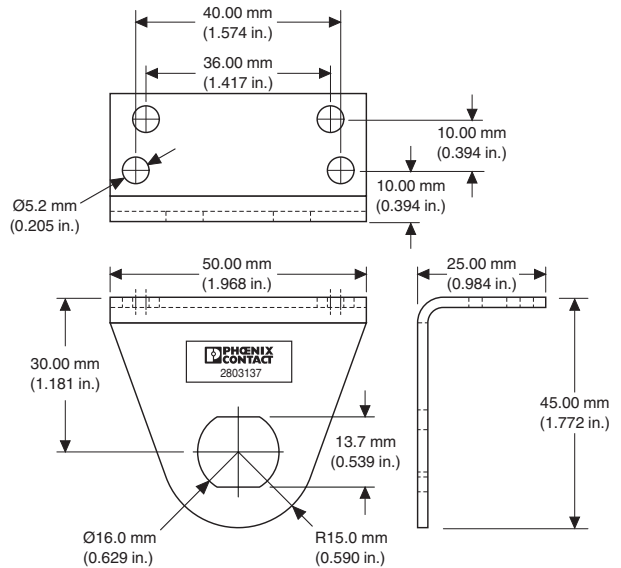


Figure 5 CN-UB/MP-90DEG-50 dimensions



SCATTERGOOD & JOHNSON LTD

ELECTRICAL ENGINEERING & FLUID CONTROL DISTRIBUTORS

Est.1899

At Scattergood & Johnson Ltd, we pride ourselves on being a technical distributor to specialist industries.

Working with a range of quality product suppliers across a number of specialist markets, we are not your average 'box shifter' - we are your technical and supply chain partner.

We fully support every product we sell - for free! Our internal team and external sales engineers can answer any product or application question, no matter the complexity.

Backing up this technical ability is a range of 50,000+ products available from stock for nationwide next day delivery (same day if required!), or you can collect what you need from any of our trade counters around the UK.

Select your specialist interest below to learn more about how we can help.



Online, In Branch and On the Road - Scattergood & Johnson Ltd, there when you need us.

www.scatts.co.uk