

<https://www.phoenixcontact.com/gb/products/2867843>

Adapter - RAD-ADP-N/F-N/F - 2867843

Please be informed that the data shown in this PDF Document is generated from our Online Catalog. Please find the complete data in the user's documentation. Our General Terms of Use for Downloads are valid (<http://phoenixcontact.com/download>)

Antenna adapter for control cabinet feed-through, frequency range: 0.3 GHz ... 6 GHz, degree of protection: IP65, connection: 2 x N (female)



Your advantages

- As an adapter between devices and cables
- Adapter for installing the antenna inside buildings

RoHS

Key Commercial Data

Packing unit	1 pc
GTIN	 4 046356 046923
GTIN	4046356046923
Weight per Piece (excluding packing)	39.900 g
Custom tariff number	85366910
Country of origin	China

Technical data

Dimensions

Width	38 mm
Diameter	16.5 mm

Ambient conditions

Ambient temperature (operation)	-65 °C ... 165 °C
Ambient temperature (storage/transport)	-65 °C ... 165 °C
Degree of protection	IP20

General

Housing material	Brass (CuZn)
------------------	--------------

Environmental Product Compliance

	Lead 7439-92-1
--	----------------

Adapter - RAD-ADP-N/F-N/F - 2867843

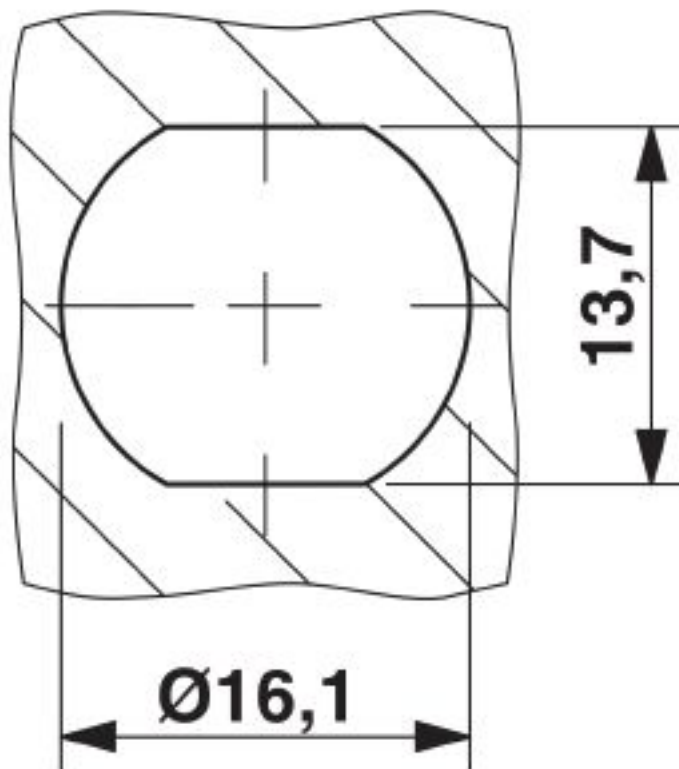
Technical data

Environmental Product Compliance

China RoHS	Environmentally Friendly Use Period = 25;
	For details about hazardous substances go to tab "Downloads", Category "Manufacturer's declaration"

Drawings

Dimensional drawing



Drill holes

Classifications

eCl@ss

eCl@ss 4.0	27060800
eCl@ss 4.1	27060800
eCl@ss 5.0	27061800

<https://www.phoenixcontact.com/gb/products/2867843>

Adapter - RAD-ADP-N/F-N/F - 2867843

Classifications

eCl@ss

eCl@ss 5.1	27061800
eCl@ss 6.0	27061800
eCl@ss 7.0	27440310
eCl@ss 8.0	27440310
eCl@ss 9.0	19070417

ETIM

ETIM 2.0	EC000019
ETIM 3.0	EC000019
ETIM 4.0	EC000019
ETIM 5.0	EC001135
ETIM 6.0	EC001135
ETIM 7.0	EC001135

UNSPSC

UNSPSC 6.01	26121608
UNSPSC 7.0901	26121608
UNSPSC 11	26121608
UNSPSC 12.01	26121608
UNSPSC 13.2	39121414

Phoenix Contact 2019 © - all rights reserved
<http://www.phoenixcontact.com>



SCATTERGOOD & JOHNSON LTD

ELECTRICAL ENGINEERING & FLUID CONTROL DISTRIBUTORS

Est.1899

At Scattergood & Johnson Ltd, we pride ourselves on being a technical distributor to specialist industries.

Working with a range of quality product suppliers across a number of specialist markets, we are not your average 'box shifter' - we are your technical and supply chain partner.

We fully support every product we sell - for free! Our internal team and external sales engineers can answer any product or application question, no matter the complexity.

Backing up this technical ability is a range of 50,000+ products available from stock for nationwide next day delivery (same day if required!), or you can collect what you need from any of our trade counters around the UK.

Select your specialist interest below to learn more about how we can help.



Online, In Branch and On the Road - Scattergood & Johnson Ltd, there when you need us.

www.scatts.co.uk