

I/O extension module - RAD-DI4-IFS - 2901535

Please be informed that the data shown in this PDF Document is generated from our Online Catalog. Please find the complete data in the user's documentation. Our General Terms of Use for Downloads are valid (<http://phoenixcontact.com/download>)




Radioline - I/O extension module, 4 digital inputs (0 ... 250 V AC/DC)

Your advantages

- Channel-to-channel electrical isolation
- Extended temperature range, -40 °C ... +70 °C
- Easy module replacement even during operation (hot swap)
- Digital wide-range inputs (0 ... 250 V AC/DC)
- Easy startup via thumbwheel
- Approved for use in zone 2



Key Commercial Data

Packing unit	1 pc
GTIN	 4 046356 610490
GTIN	4046356610490
Weight per Piece (excluding packing)	163.200 g
Custom tariff number	85177000
Country of origin	Germany

Technical data

Note

Utilization restriction	EMC: class A product, see manufacturer's declaration in the download area
-------------------------	---

Dimensions

Width	17.5 mm
Height	113 mm
Depth	114.5 mm

Ambient conditions

I/O extension module - RAD-DI4-IFS - 2901535

Technical data

Ambient conditions

Degree of protection	IP20
Ambient temperature (operation)	-40 °C ... 70 °C
	-40 °F ... 158 °F
Ambient temperature (storage/transport)	-40 °C ... 85 °C
	-40 °F ... 185 °F
Permissible humidity (operation)	20 % ... 85 %
Permissible humidity (storage/transport)	20 % ... 85 %
Altitude	2000 m
Vibration (operation)	in accordance with IEC 60068-2-6: 5g, 10 Hz ... 150 Hz
Shock	16g, 11 ms

General

Set consists of	2709561 ME 17,5 TBUS 1,5/ 5-ST-3,81 GN
Overvoltage category	II
Mounting position	any
Assembly instructions	on standard DIN rail NS 35 in accordance with EN 60715
Degree of pollution	2
Housing material	PA 6.6-FR
Flammability rating according to UL 94	V0
MTTF	1766 Years (Telcordia standard, 25°C temperature, 21% operating cycle (5 days a week, 8 hours a day))
	653 Years (Telcordia standard, 40°C temperature, 34.25% operating cycle (5 days a week, 12 hours a day))
	250 Years (Telcordia standard, temperature 40 °C, operating cycle 100 % (7 days a week, 24 hours a day))

Supply

Supply voltage range	19.2 V DC ... 30.5 V DC (DIN rail connector)
Max. current consumption	≤ 11 mA (At 24 V DC, at 25°C)
Transient surge protection	Yes

Digital inputs

Description of the input	Digital input
Number of inputs	4
Switching level "1" signal	10 V AC/DC ... 50 V AC/DC (Low-voltage input)
	50 V AC/DC ... 250 V AC/DC (High-voltage input)
Switching level "0" signal	0 V AC/DC ... 4 V AC/DC (Low-voltage input)
	0 V AC/DC ... 20 V AC/DC (High-voltage input)
Input frequency	≤ 2 Hz
Min. voltage input signal	0 V AC/DC
Max. voltage input signal	250 V AC/DC
Max. current consumption	< 1 mA

Electrical isolation

I/O extension module - RAD-DI4-IFS - 2901535

Technical data

Electrical isolation

Digital I/O	300 V (Rated insulation voltage (in each case between the digital inputs // TBUS supply, reinforced insulation according to EN 61010))
-------------	--

Test voltage

Digital I/O	2.5 kV AC (50 Hz, 1 min.)
-------------	---------------------------

Connection data

Connection method	Screw connection
Conductor cross section solid min.	0.2 mm ²
Conductor cross section solid max.	2.5 mm ²
Conductor cross section flexible min.	0.2 mm ²
Conductor cross section flexible max.	2.5 mm ²
Conductor cross section AWG min.	24
Conductor cross section AWG max.	14
Stripping length	7 mm
Tightening torque	0.6 Nm
Screw thread	M3

Status indicator

Status display	Green LED (supply voltage, PWR)
	Green LED (bus communication, DAT)
	Red LED (periphery error, ERR)
	Yellow LED (digital input, DI1)
	Yellow LED (digital input, DI2)
	Yellow LED (digital input, DI3)
	Yellow LED (digital input, DI4)

Conformance/approvals

Designation	CE
Identification	CE-compliant
Designation	EAC
Identification	EAC
Designation	ATEX
Identification	# II 3 G Ex nA IIC T4 Gc
Certificate	IBExU 15 ATEX B008 X
Additional text	Please follow the special installation instructions in the documentation!
Designation	IECEX
Identification	Ex nA IIC T4 Gc
Certificate	IECEX IBE 13.0019X
Designation	UL, USA/Canada
Identification	508 Listed
	Class I, Div. 2, Groups A, B, C, D T4A
	Class I, Zone 2, IIC T4

<https://www.phoenixcontact.com/gb/products/2901535>



I/O extension module - RAD-DI4-IFS - 2901535

Technical data

Conformance/approvals

Designation	Corrosive gas test
Identification	ISA-S71.04-1985 G3 Harsh Group A

Standards and Regulations

Electromagnetic compatibility	Conformance with EMC Directive 2014/30/EU
Standard designation	EMC Directive 2014/30/EU
Standards/regulations	EN 61000-6-2
Standard designation	EMC Directive 2014/30/EU
Standards/regulations	EN 61000-6-4
Standard designation	Ex Directive (ATEX)
Standards/regulations	EN 60079-0
Standard designation	Ex Directive (ATEX)
Standards/regulations	EN-60079-15
Noise emission	EN 61000-6-4
Noise immunity	EN 61000-6-2
Flammability rating according to UL 94	V0
Shock	16g, 11 ms
Vibration (operation)	in accordance with IEC 60068-2-6: 5g, 10 Hz ... 150 Hz

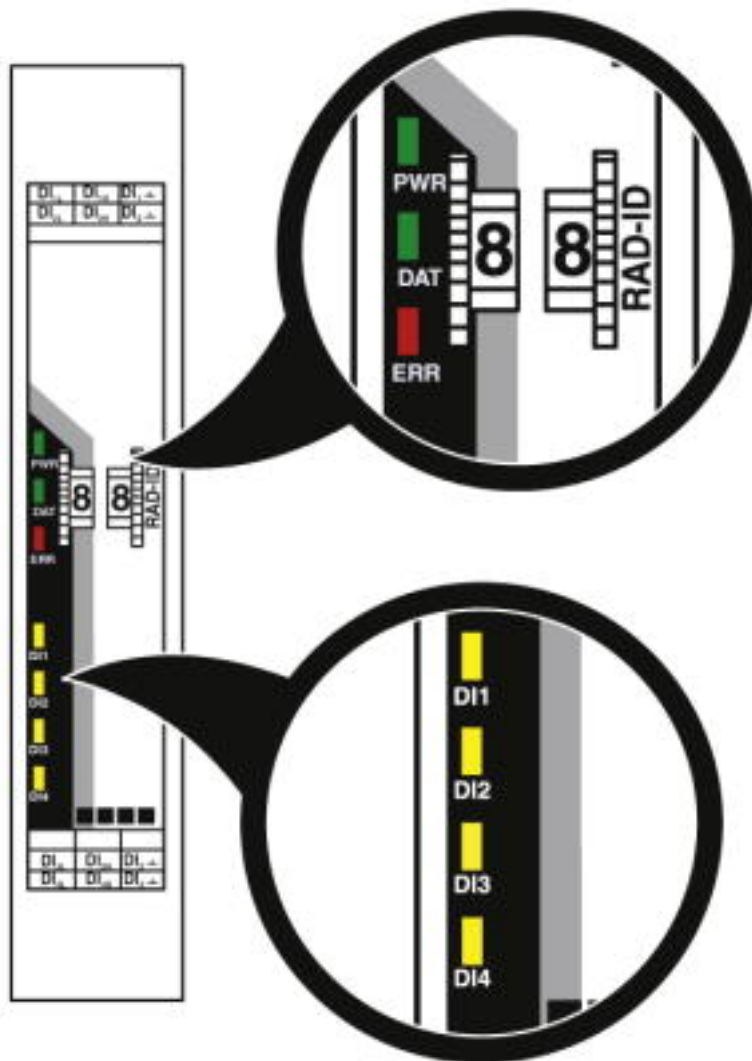
Environmental Product Compliance

REACH SVHC	Lead 7439-92-1
China RoHS	Environmentally Friendly Use Period = 50
	For details about hazardous substances go to tab "Downloads", Category "Manufacturer's declaration"

Drawings

I/O extension module - RAD-DI4-IFS - 2901535

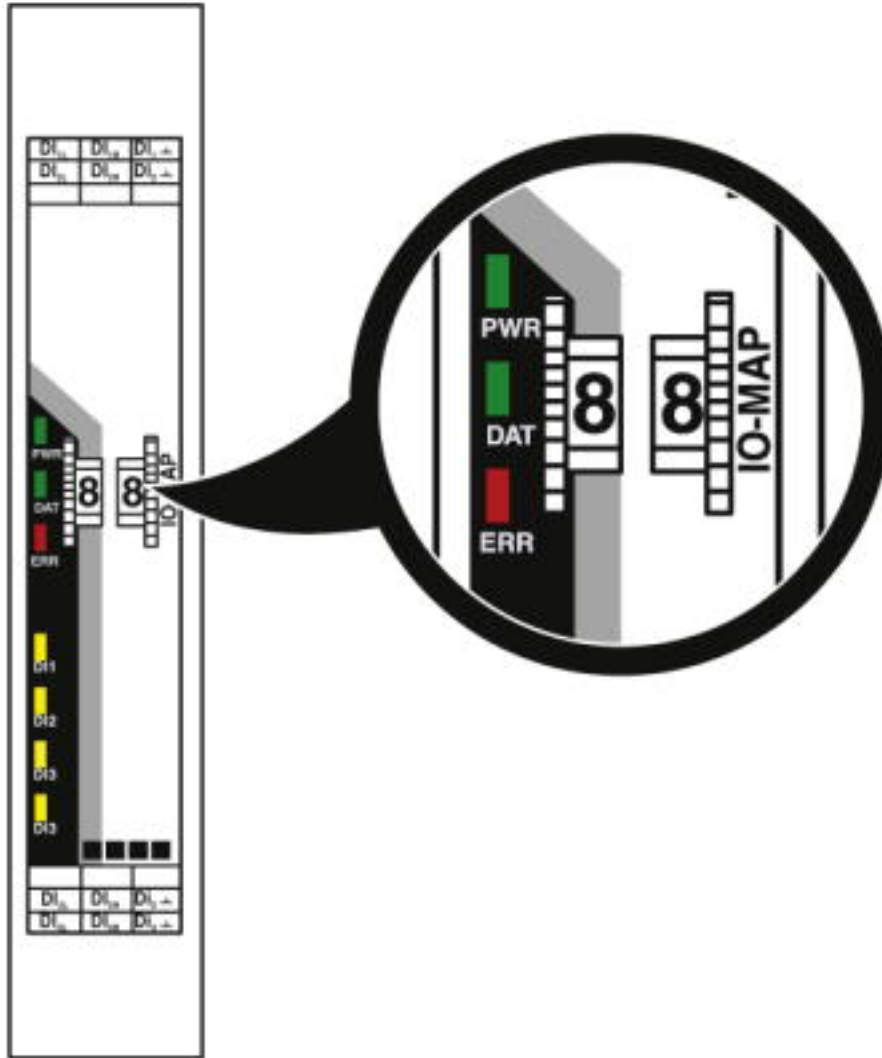
Schematic diagram



LED indicators

I/O extension module - RAD-DI4-IFS - 2901535

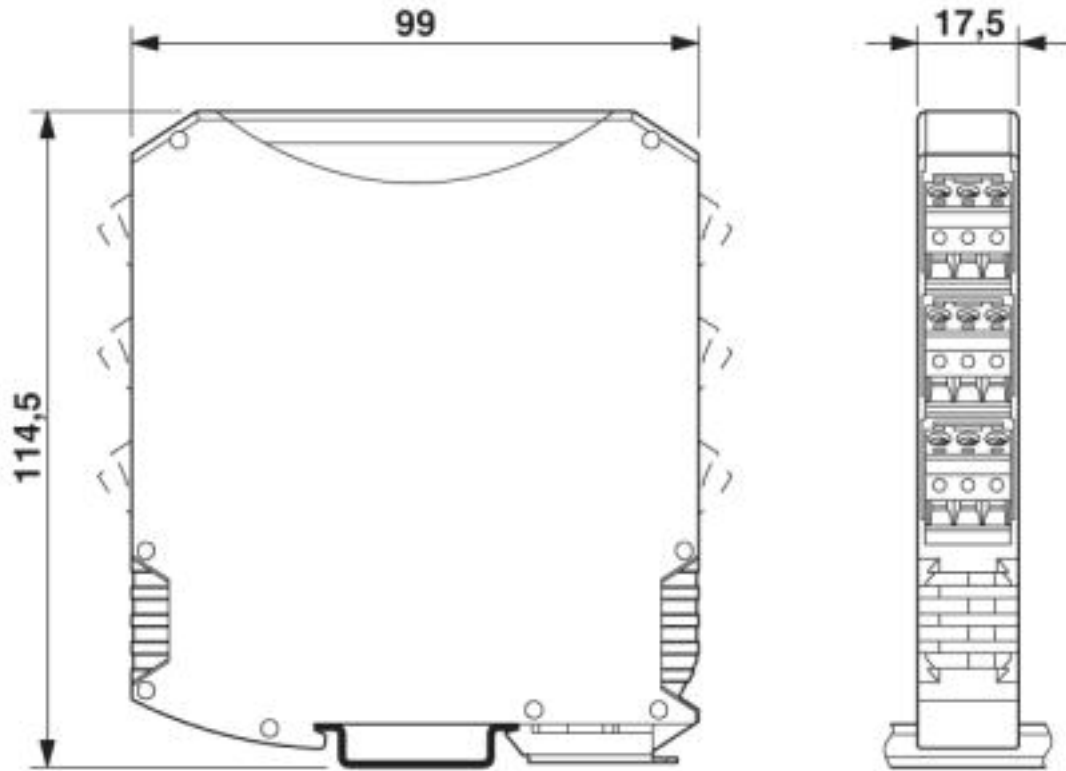
Schematic diagram



Thumb wheel

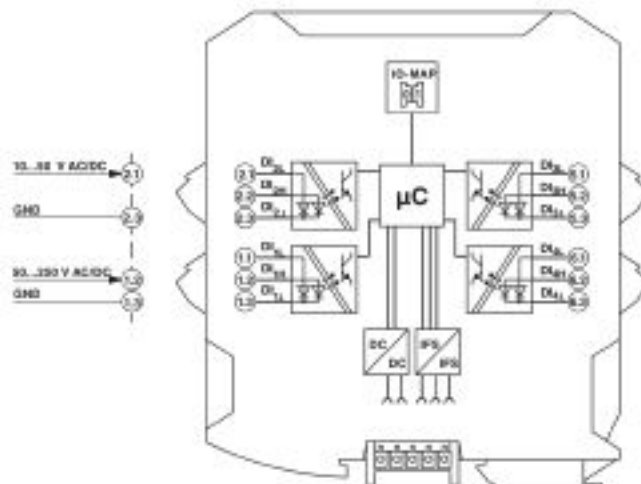
I/O extension module - RAD-DI4-IFS - 2901535

Dimensional drawing



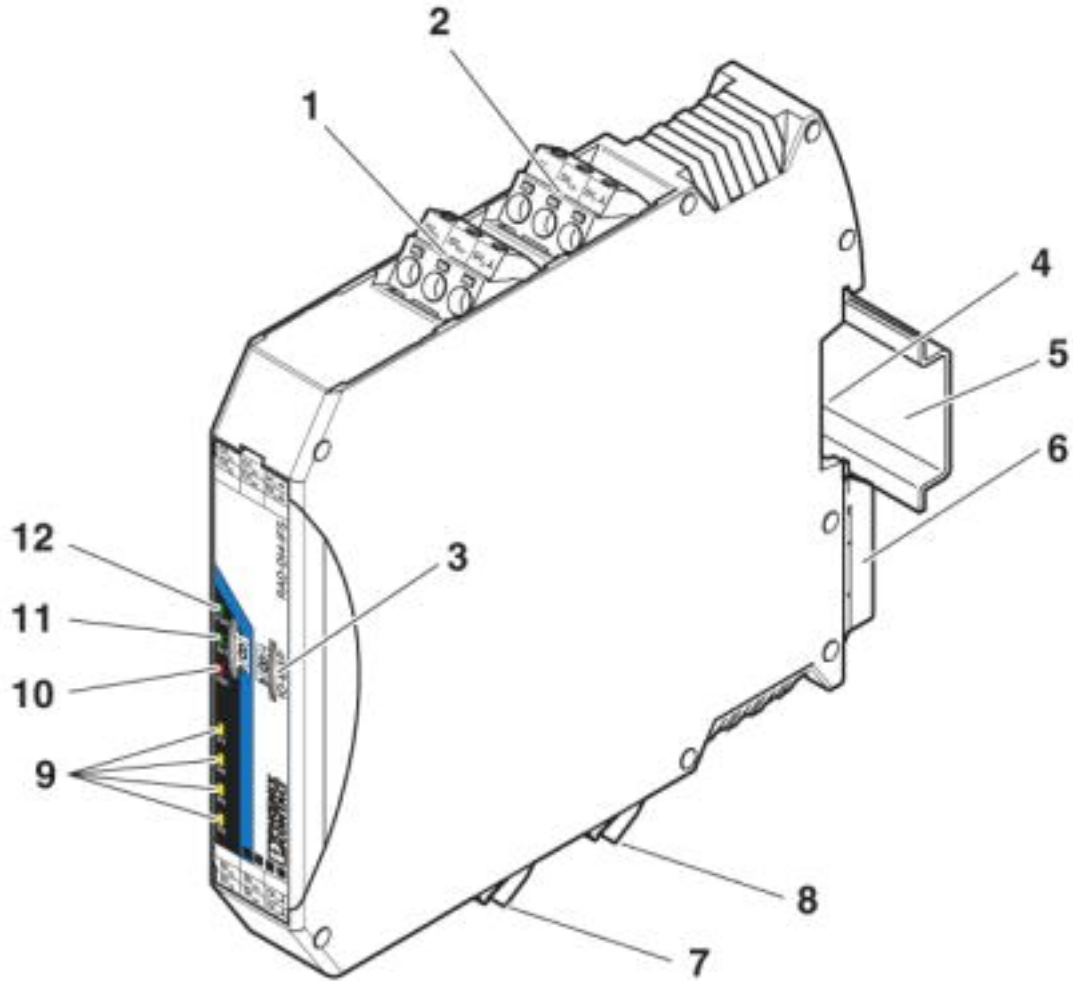
Slim design

Circuit diagram



I/O extension module - RAD-DI4-IFS - 2901535

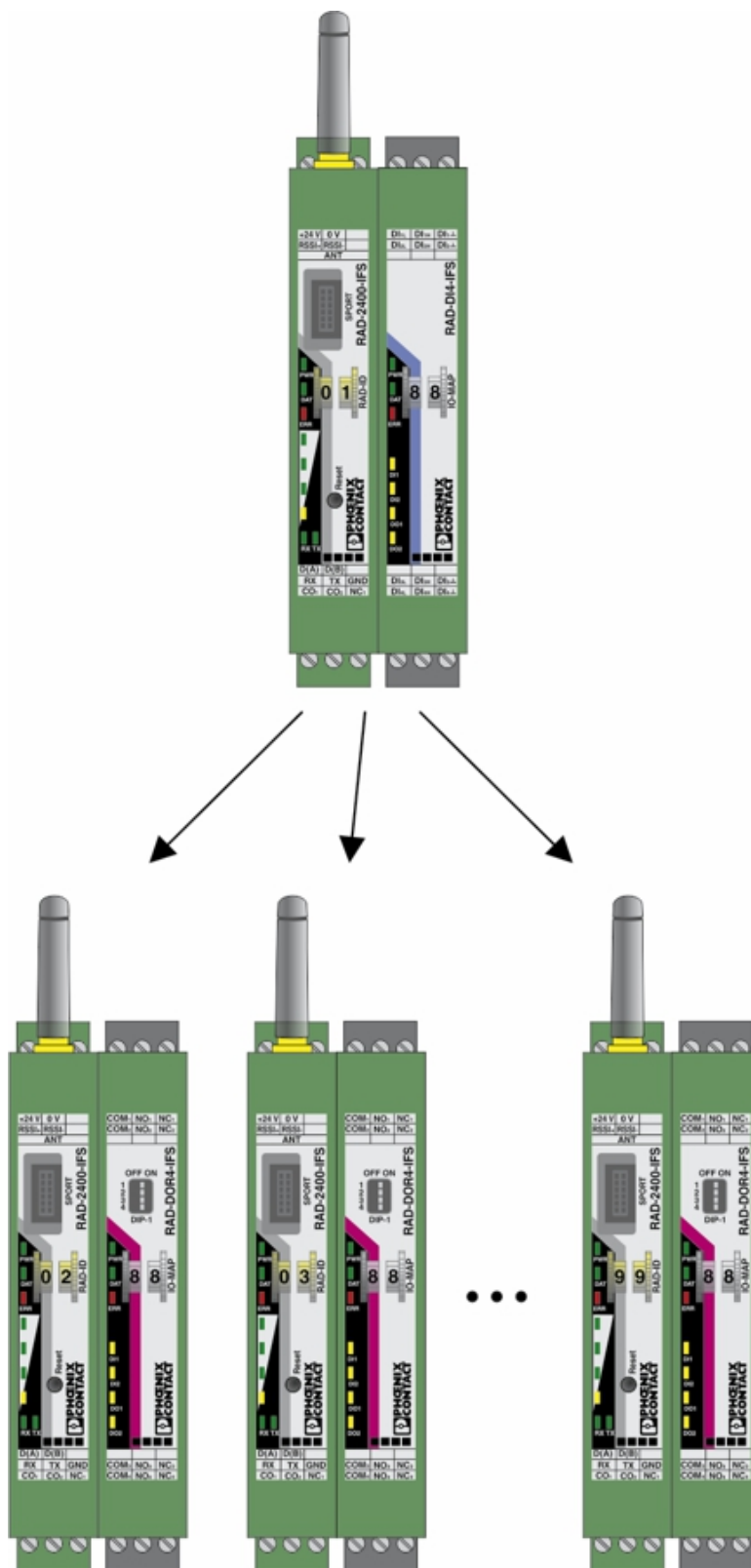
Schematic diagram



Function elements

I/O extension module - RAD-DI4-IFS - 2901535

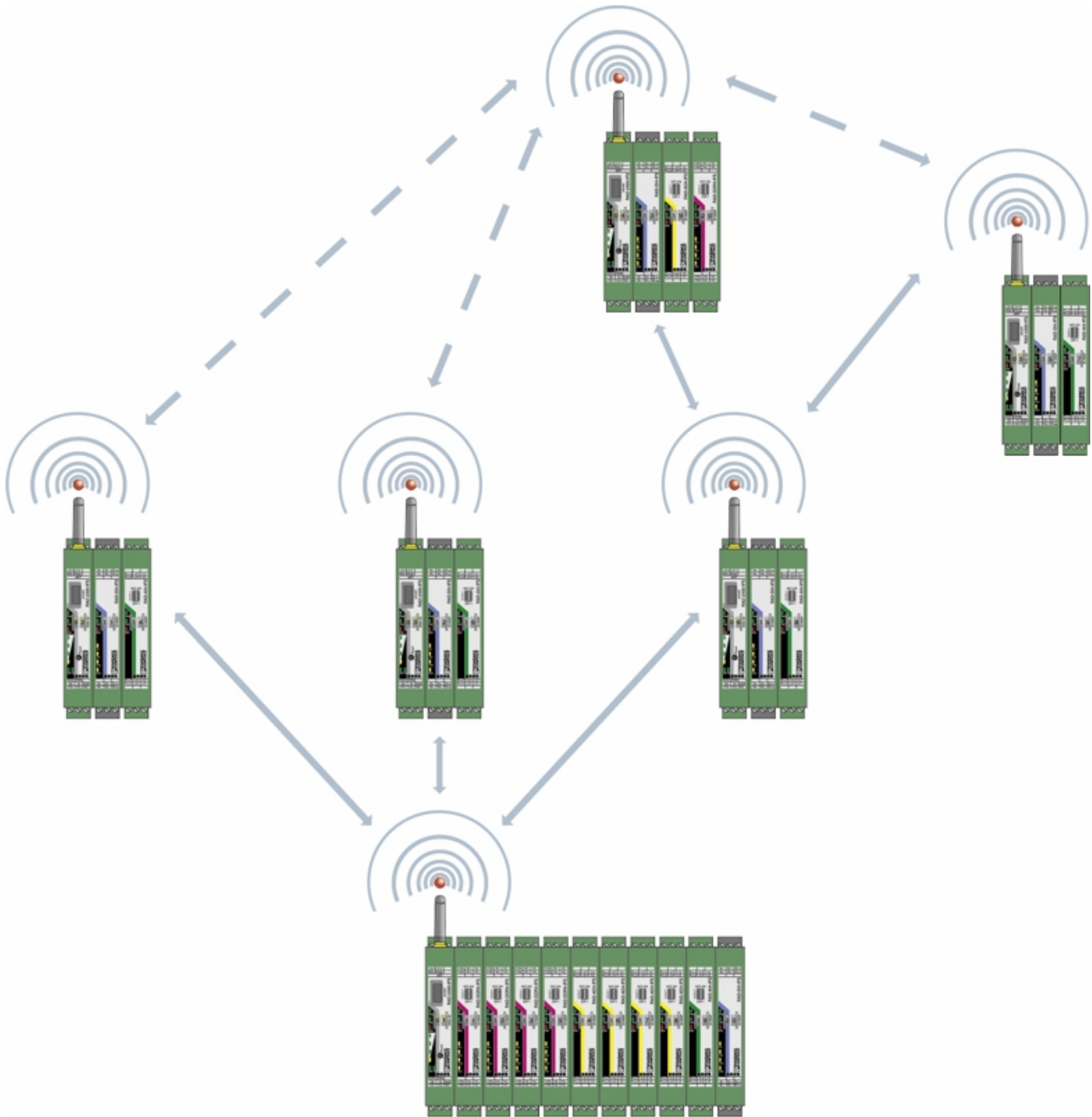
Functional drawing



Assignment of digital inputs and digital outputs

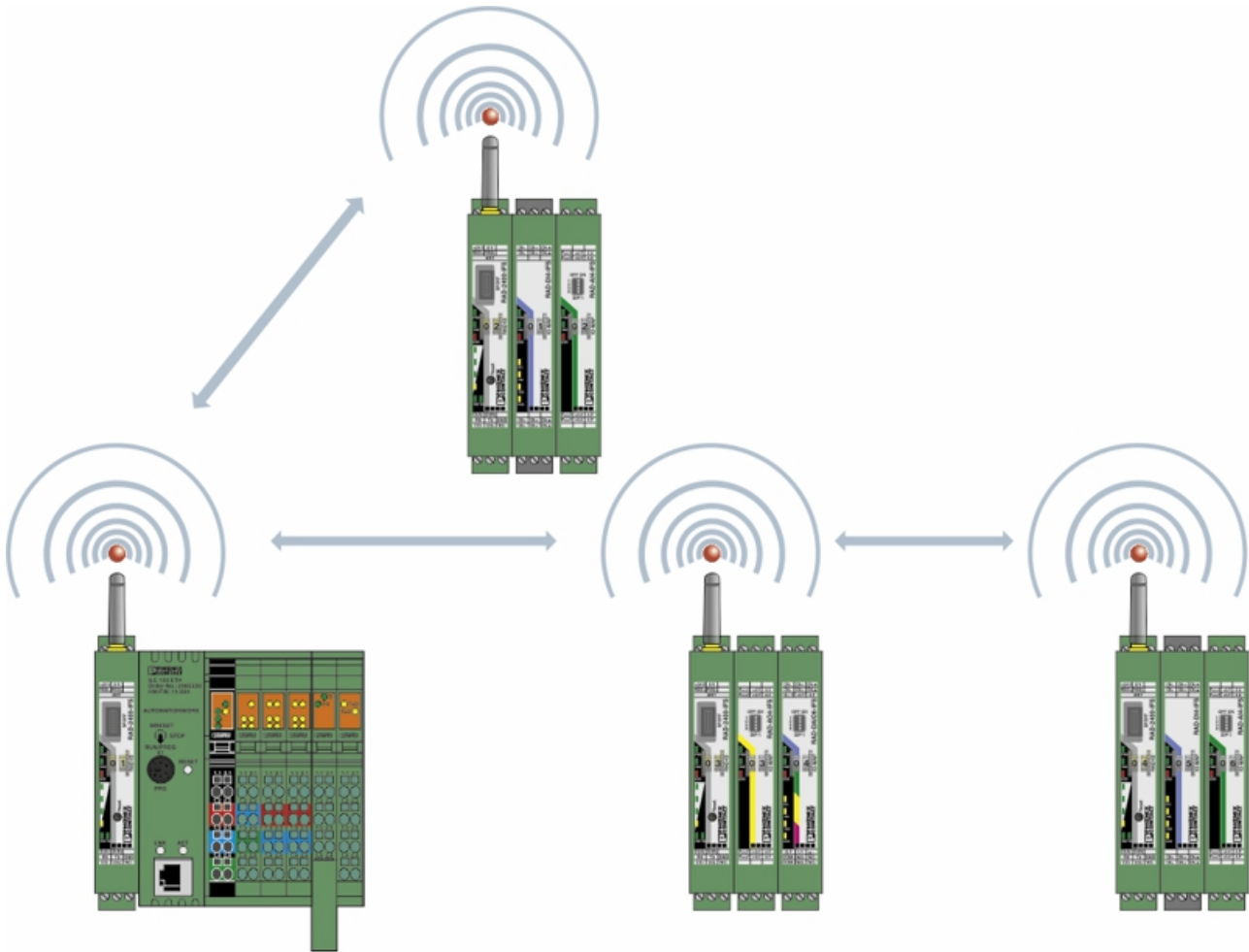
I/O extension module - RAD-DI4-IFS - 2901535

Application drawing



I/O extension module - RAD-DI4-IFS - 2901535

Application drawing



<https://www.phoenixcontact.com/gb/products/2901535>

I/O extension module - RAD-DI4-IFS - 2901535

Articles in set

DIN rail bus connectors - ME 17,5 TBUS 1,5/ 5-ST-3,81 GN - 2709561



DIN rail connector for DIN rail mounting. Universal for TBUS housing. Gold-plated contacts, 5-pos.

Classifications

eCl@ss

eCl@ss 4.0	27230200
eCl@ss 4.1	27230200
eCl@ss 5.0	27242200
eCl@ss 5.1	27242200
eCl@ss 6.0	27242600
eCl@ss 7.0	27242604
eCl@ss 8.0	27242604
eCl@ss 9.0	27242604

ETIM

ETIM 3.0	EC001423
ETIM 4.0	EC000310
ETIM 5.0	EC001599
ETIM 6.0	EC001599
ETIM 7.0	EC001599

UNSPSC

UNSPSC 6.01	30211506
UNSPSC 7.0901	43223108
UNSPSC 11	39121008
UNSPSC 12.01	43223108
UNSPSC 13.2	32151602

Approvals

Approvals

Approvals

UL Listed / cUL Listed / EAC / cULus Listed

<https://www.phoenixcontact.com/gb/products/2901535>



I/O extension module - RAD-DI4-IFS - 2901535

Approvals

Ex Approvals

IECEX / ATEX / UL Listed / cUL Listed / cULus Listed

Approval details

UL Listed		http://database.ul.com/cgi-bin/XYV/template/LISEXT/1FRAME/index.htm	FILE E 238705
cUL Listed		http://database.ul.com/cgi-bin/XYV/template/LISEXT/1FRAME/index.htm	FILE E 238705
EAC			EAC-Zulassung
cULus Listed			

Phoenix Contact 2019 © - all rights reserved
<http://www.phoenixcontact.com>



SCATTERGOOD & JOHNSON LTD

ELECTRICAL ENGINEERING & FLUID CONTROL DISTRIBUTORS

Est.1899

At Scattergood & Johnson Ltd, we pride ourselves on being a technical distributor to specialist industries.

Working with a range of quality product suppliers across a number of specialist markets, we are not your average 'box shifter' - we are your technical and supply chain partner.

We fully support every product we sell - for free! Our internal team and external sales engineers can answer any product or application question, no matter the complexity.

Backing up this technical ability is a range of 50,000+ products available from stock for nationwide next day delivery (same day if required!), or you can collect what you need from any of our trade counters around the UK.

Select your specialist interest below to learn more about how we can help.



Online, In Branch and On the Road - Scattergood & Johnson Ltd, there when you need us.

www.scatts.co.uk