

## Antenna - RAD-ISM-900-ANT-YAGI-10-N - 5606614

Please be informed that the data shown in this PDF Document is generated from our Online Catalog. Please find the complete data in the user's documentation. Our General Terms of Use for Downloads are valid (<http://phoenixcontact.com/download>)




Directional antenna 868 MHz / 900 MHz, gain: 12 dBi, polarization: linear, opening angle: h/v 56°/46°, degree of protection: IP65, connection: N (female), incl. mounting bracket and mast clips

### Your advantages

- For large distances
- For point-to-point connections



### Key Commercial Data

Packing unit	1 pc
GTIN	 4 046356 686419
GTIN	4046356686419
Weight per Piece (excluding packing)	1,700.000 g
Custom tariff number	85177000
Country of origin	United States

### Technical data

#### Dimensions

Width	60.5 mm
Height	172 mm
Length	609.6 mm

#### Ambient conditions

Degree of protection	IP65
Ambient temperature (operation)	-40 °C ... 80 °C

#### General

With connecting cable	yes
Frequency range	900 MHz
	868 MHz ... 960 MHz

## Antenna - RAD-ISM-900-ANT-YAGI-10-N - 5606614

### Technical data

#### General

Horizontal beamwidth	56 °
Vertical beamwidth	46 °
Polarization	Linear vertical or horizontal
Impedance	50 $\Omega$
Gain	12.15 dBi
Wind velocity	200 km/h
Connection method	N (female) with cable (0.6 m)
Material	Aluminum (Antenna housing)
	V2A (Bracket)
	V2A (U-shaped screw)
Mounting type	Mast mounting
External diameter	32 mm ... 60 mm (Mast)

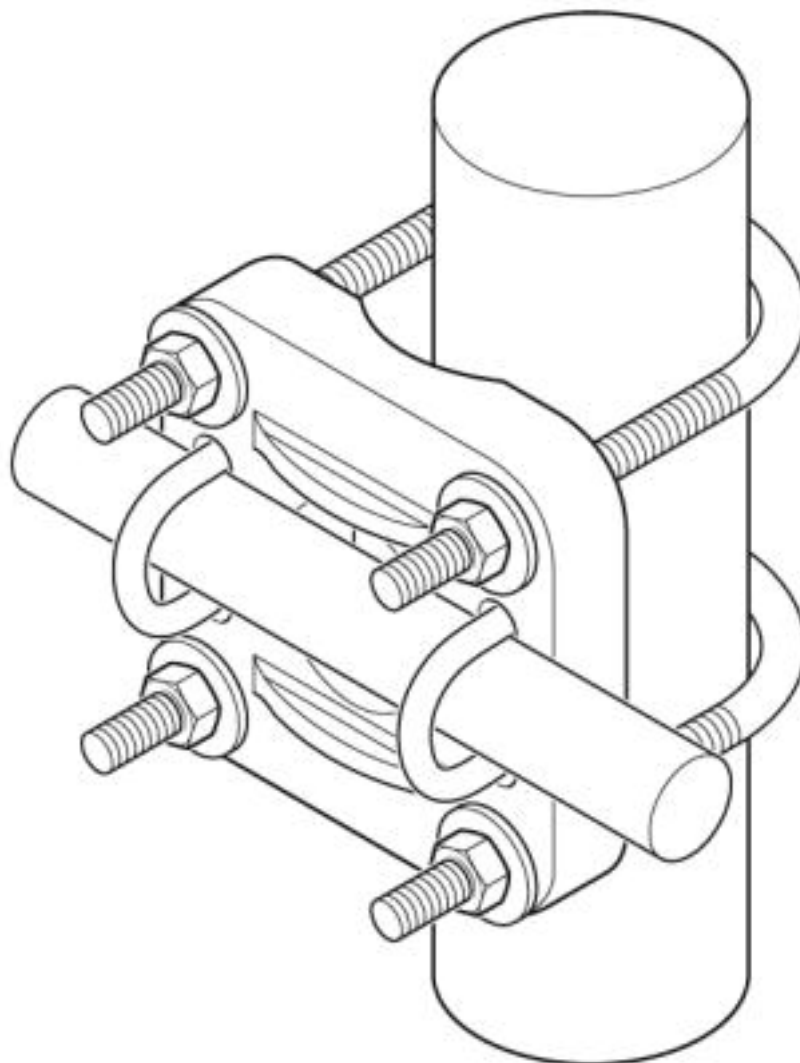
#### Environmental Product Compliance

China RoHS	Environmentally friendly use period: unlimited = EFUP-e
	No hazardous substances above threshold values

### Drawings

# Antenna - RAD-ISM-900-ANT-YAGI-10-N - 5606614

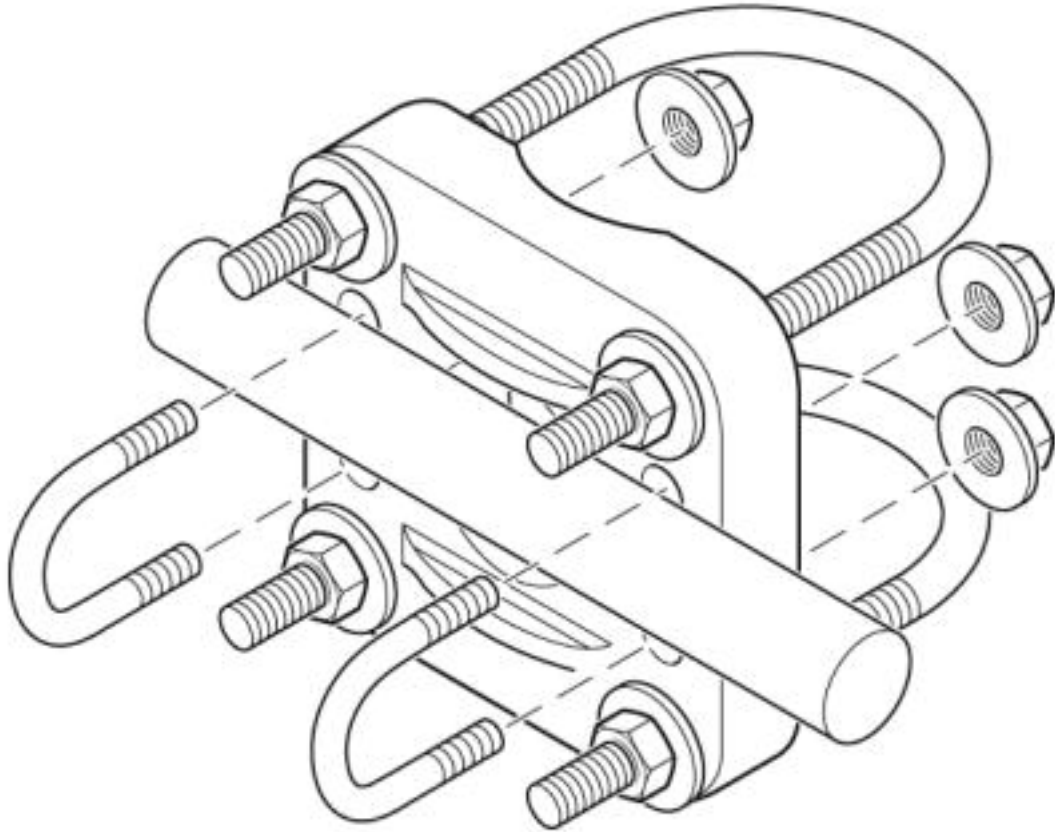
Schematic diagram



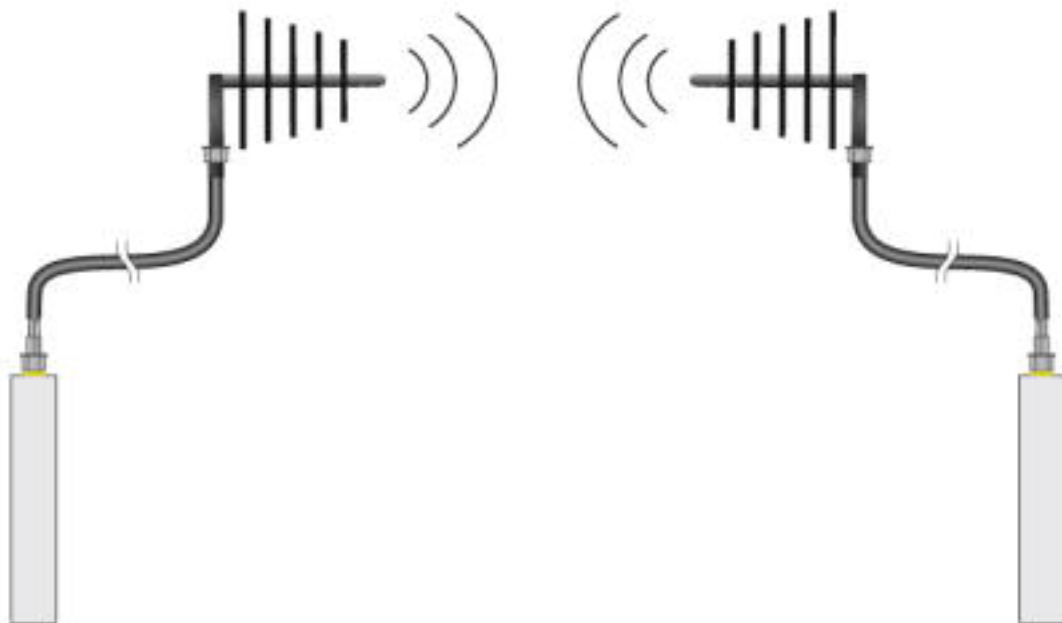
Mast mounting

# Antenna - RAD-ISM-900-ANT-YAGI-10-N - 5606614

Schematic diagram



Schematic diagram



<https://www.phoenixcontact.com/gb/products/5606614>

## Antenna - RAD-ISM-900-ANT-YAGI-10-N - 5606614

### Classifications

#### eCl@ss

eCl@ss 4.0	27250300
eCl@ss 4.1	27250300
eCl@ss 5.0	19070100
eCl@ss 5.1	19070100
eCl@ss 6.0	19070100
eCl@ss 7.0	19070105
eCl@ss 8.0	19070105
eCl@ss 9.0	19070105

#### ETIM

ETIM 3.0	EC001698
ETIM 4.0	EC000019
ETIM 5.0	EC001698
ETIM 6.0	EC001698
ETIM 7.0	EC001698

#### UNSPSC

UNSPSC 6.01	43171611
UNSPSC 7.0901	43221706
UNSPSC 11	43171611
UNSPSC 12.01	43221706
UNSPSC 13.2	43221715

Phoenix Contact 2019 © - all rights reserved  
<http://www.phoenixcontact.com>



# SCATTERGOOD & JOHNSON LTD

ELECTRICAL ENGINEERING & FLUID CONTROL DISTRIBUTORS

Est.1899

At Scattergood & Johnson Ltd, we pride ourselves on being a technical distributor to specialist industries.

Working with a range of quality product suppliers across a number of specialist markets, we are not your average 'box shifter' - we are your technical and supply chain partner.

We fully support every product we sell - for free! Our internal team and external sales engineers can answer any product or application question, no matter the complexity.

Backing up this technical ability is a range of 50,000+ products available from stock for nationwide next day delivery (same day if required!), or you can collect what you need from any of our trade counters around the UK.

Select your specialist interest below to learn more about how we can help.



Online, In Branch and On the Road - Scattergood & Johnson Ltd, there when you need us.

# [www.scatts.co.uk](http://www.scatts.co.uk)