

Sealing cap - PROT-M12 FS - 1560251

Please be informed that the data shown in this PDF Document is generated from our Online Catalog. Please find the complete data in the user's documentation. Our General Terms of Use for Downloads are valid (<http://phoenixcontact.com/download>)



M12 sealing cap for unoccupied M12 plugs of the sensor/actuator cable, flush-type plugs and I/O devices in the field

Your advantages

- Sealing caps with external or inner thread
- Printed or unprinted marking labels



Key Commercial Data

Packing unit	5 pc
Minimum order quantity	5 pc
GTIN	 4 046356 183659
GTIN	4046356183659
Weight per Piece (excluding packing)	1.460 g
Custom tariff number	39235090
Country of origin	Germany

Technical data

Ambient conditions

Ambient temperature (operation)	-40 °C ... 90 °C
Degree of protection	IP67

Material

Flammability rating according to UL 94	HB
Material of grip body	PA 6
Sealing material	NBR

Characteristics head 2

Color	black
-------	-------

Standards and Regulations

Sealing cap - PROT-M12 FS - 1560251

Technical data

Standards and Regulations

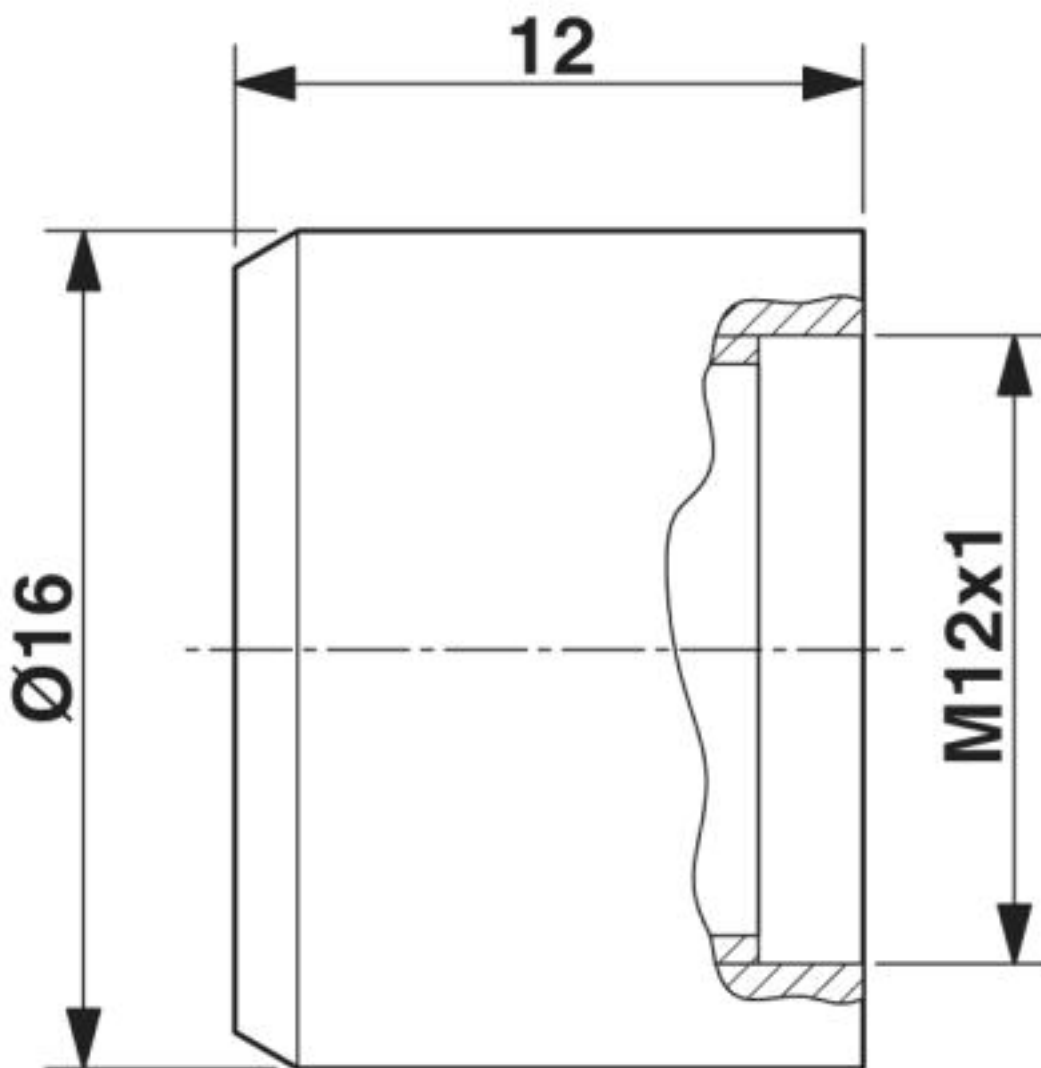
Flammability rating according to UL 94	HB
--	----

Environmental Product Compliance

China RoHS	Environmentally friendly use period: unlimited = EFUP-e
	No hazardous substances above threshold values

Drawings

Dimensional drawing



Classifications

eCl@ss

eCl@ss 10.0.1	23111190
---------------	----------

<https://www.phoenixcontact.com/gb/products/1560251>

Sealing cap - PROT-M12 FS - 1560251

Classifications

eCl@ss

eCl@ss 4.0	27141200
eCl@ss 4.1	27141200
eCl@ss 5.0	27149100
eCl@ss 5.1	27149100
eCl@ss 6.0	27261200
eCl@ss 7.0	27440208
eCl@ss 8.0	23111190
eCl@ss 9.0	23111190

ETIM

ETIM 3.0	EC002040
ETIM 4.0	EC002040
ETIM 5.0	EC002314
ETIM 6.0	EC000032
ETIM 7.0	EC000032

UNSPSC

UNSPSC 6.01	30212113
UNSPSC 7.0901	39121712
UNSPSC 11	39121712
UNSPSC 12.01	39121712
UNSPSC 13.2	39121421

Phoenix Contact 2019 © - all rights reserved
<http://www.phoenixcontact.com>



SCATTERGOOD & JOHNSON LTD

ELECTRICAL ENGINEERING & FLUID CONTROL DISTRIBUTORS

Est.1899

At Scattergood & Johnson Ltd, we pride ourselves on being a technical distributor to specialist industries.

Working with a range of quality product suppliers across a number of specialist markets, we are not your average 'box shifter' - we are your technical and supply chain partner.

We fully support every product we sell - for free! Our internal team and external sales engineers can answer any product or application question, no matter the complexity.

Backing up this technical ability is a range of 50,000+ products available from stock for nationwide next day delivery (same day if required!), or you can collect what you need from any of our trade counters around the UK.

Select your specialist interest below to learn more about how we can help.



Online, In Branch and On the Road - Scattergood & Johnson Ltd, there when you need us.

www.scatts.co.uk