

AXL F RTD8 1F

Axioline F temperature module, 8 inputs for the connection of resistance temperature detectors (RTD)

Data sheet
7991_en_05

© PHOENIX CONTACT 2013-08-12



1 Description

This data sheet is valid for modules with firmware Version 1.3.

The module is designed for use within an Axioline F station. It is used to acquire signals from resistive temperature sensors.

The module supports all standard platinum and nickel sensors according to DIN EN 60751 and SAMA. Cu10, Cu50, Cu53 sensors as well as various KTY8x sensor types are also supported.

Features

- 8 analog input channels to connect resistance temperature detectors (RTD)
- Linear inputs 500 Ω and 5 k Ω
- Connection of sensors in 2, 3, or 4-wire technology
- Integrated, digital sensor linearization
- Standardized measured value representation directly in $^{\circ}\text{C}$, $^{\circ}\text{F}$ or Ω
- Measured value representation in 16-bit format or floating-point format
- Programmable filters
- Short-circuit protected inputs
- Temperature stability
- Very high immunity to interference
- Low emitted interference
- "Channel scout" function
- Device type label stored
- Diagnostic and status indicators
- Installation monitoring with indication via diagnostic LED for each channel



This data sheet is only valid in association with the UM EN AXL SYS INST user manual.



Make sure you always use the latest documentation. It can be downloaded from the product at phoenixcontact.net/products.

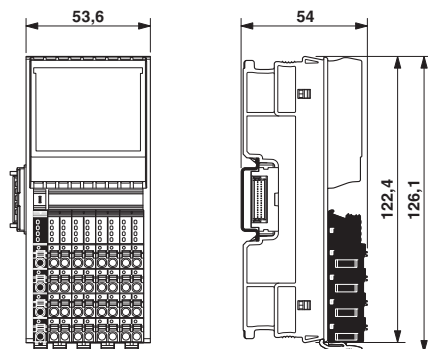
2	Table of contents	
1	Description	1
2	Table of contents	2
3	Ordering data	3
4	Technical data	3
5	Additional technical data.....	6
6	Temperature and resistance measuring ranges	7
7	Tolerance data.....	8
8	Temperature and drift response	11
9	Internal circuit diagram	13
10	Terminal point assignment.....	13
11	Connection examples	14
12	Connection notes	14
13	Local status and diagnostic indicators	15
14	Diagnostic behavior in the event of an error.....	17
15	Process data.....	18
16	Significant values in various formats.....	19
17	Parameter, diagnostics and information (PDI)	20
18	Standard objects	21
19	Application objects	25
20	Parameterization example	29
21	Device descriptions	29
22	Measuring errors through connecting cables for sensors with 2-wire termination.....	30
23	Calculation examples	32

3 Ordering data

Description	Type	Order No.	Pcs. / Pkt.
Axioline F temperature module, 8 inputs for connecting temperature shunts (including bus base module and connectors)	AXL F RTD8 1F	2688077	1
Accessories	Type	Order No.	Pcs. / Pkt.
Axioline bus base module for housing type F (Replacement item)	AXL BS	2688129	5
Axioline plug set (e.g., for AXL AI 8, AXL AO 8) (Replacement item)	AXL CNS 4L-O/D/UA/E1/E2	2700984	1
Axioline shield connection set (contains 2 busbar holders and 2 SK 5 shield connection clamps)	AXL SHIELD SET	2700518	1
Zack marker strip for Axioline (device labeling), in 2 x 20.3 mm pitch, unprinted, 25-section, for individual labeling with B-STIFT 0.8, X-PEN, or CMS-P1-PLOTTER (Marking)	ZB 20,3 AXL UNPRINTED	0829579	25
Zack marker strip, flat, in 10 mm pitch, unprinted, 10-section, for individual labeling with M-PEN 0,8, X-PEN, or CMS-P1-PLOTTER (Marking)	ZBF 10/5,8 AXL UNPRINTED	0829580	50
Insert label, Roll, white, Unlabeled, Can be labeled with: THERMOMARK ROLL, THERMOMARK X, THERMOMARK S1.1, Mounting type: Snapped into marker carrier, Lettering field: 35 x 46 mm (Marking)	EMT (35X46)R	0801604	1
Documentation	Type	Order No.	Pcs. / Pkt.
User manual, English, Axioline: System and installation	UM EN AXL SYS INST	-	-
User manual, English, Axioline F, diagnostic register, and error messages	UM EN AXL F SYS DIAG	-	-

4 Technical data

Dimensions (nominal sizes in mm)



Width	53.6 mm
Height	126.1 mm
Depth	54 mm
Note on dimensions	The depth is valid when a TH 35-7.5 DIN rail is used (according to EN 60715).

General data

Color	Military gray RAL 7042
Weight	215 g (with plugs and bus base module)
Ambient temperature (operation)	-25 °C ... 60 °C
Ambient temperature (storage/transport)	-40 °C ... 85 °C

General data

Permissible humidity (operation)	5 % ... 95 % (no condensation)
Permissible humidity (storage/transport)	5 % ... 95 % (no condensation)
Air pressure (operation)	70 kPa ... 106 kPa (up to 3000 m above sea level)
Air pressure (storage/transport)	70 kPa ... 106 kPa (up to 3000 m above sea level)
Degree of protection	IP20
Protection class	III, IEC 61140, EN 61140, VDE 0140-1

Connection data

Name	Axiline plug
Connection method	Push-in technology
Conductor cross section solid / stranded	0.2 mm ² ... 1.5 mm ²
Conductor cross section [AWG]	24 ... 16

Interface Axiline F local bus

Connection method	Bus base module
Transmission speed	100 MBit/s

Communications power

Communications power U_{BUS}	5 V DC (via bus base module)
Current consumption from U_{BUS}	typ. 115 mA, max. 180 mA
Power consumption at U_{BUS}	typ. 0.58 W, max. 0.9 W

I/O supply

Supply of analog modules U_A	24 V DC
Maximum permissible voltage range	19.2 V DC ... 30 V DC (including all tolerances, including ripple)
Current consumption from U_A	typ. 15 mA, max. 25 mA
Power consumption at U_A	typ. 0.36 W, max. 0.6 W
Surge protection	Electronic (35 V, 0.5 s)
Protection against polarity reversal	Polarity protection diode
Transient protection	Suppressor diode

Total power consumption of the module

Power consumption	typ. 0.94 W (at U_{BUS} and U_A), max. 1.5 W (at U_{BUS} and U_A)
-------------------	---

Analog inputs

Number of inputs	8 (for resistance temperature detectors)
Connection method	Spring-cage connection with direct plug-in method
Connection method	2, 3, 4-wire (shielded)
Sensor types (RTD) that can be used	Pt, Ni, KTY, Cu sensors
Linear resistance measuring range	0 Ω ... 500 Ω , 0 k Ω ... 5 k Ω
Resolution A/D	24 bit
Measured value representation	16 bits (15 bits + sign bit)
Data formats	IB IL, S7-compatible
Input filter time	40 ms, 60 ms, 100 ms, 120 ms (adjustable)
Relative accuracy	(See Tables under tolerance values)
Absolute accuracy	typ. ± 0.1 K (Pt100 with 3-wire termination)
Short-circuit protection, overload protection of the inputs	yes
Transient protection of inputs	yes
Transient protection of sensor supplies	yes

Analog inputs

Nominal value of the current sources	1 mA (Pt100, Ni100, R_{Lin} 500 Ω ; pulse current, the specification is valid during the sampling phase) 210 μ A (Pt1000, Ni1000, R_{Lin} 5000 Ω ; pulse current, the specification is valid during the sampling phase)
Differential non-linearity	typ. 1 ppm / \pm 0.0001% (in all ranges)
Integral non-linearity	typ. 30 ppm / \pm 0.003% (Pt 100) typ. 20 ppm / \pm 0.002% (R_{Lin} 500 Ω) typ. 200 ppm / \pm 0.02% (R_{Lin} 5000 Ω)

PROFIBUS telegram data

Required parameter data	27 Byte
Need for configuration data	6 Byte

Electrical isolation/isolation of the voltage areas

5 V communications power (logic), 24 V supply (I/O)	500 V AC, 50 Hz, 1 min
5 V supply (logic)/functional earth ground	500 V AC, 50 Hz, 1 min
24 V supply (I/O) / functional earth ground	500 V AC, 50 Hz, 1 min

Mechanical tests

Vibration resistance in acc. with EN 60068-2-6/IEC 60068-2-6	5 g
Shock in acc. with EN 60068-2-27/IEC 60068-2-27	30g, 11 ms period, half-sine shock pulse
Continuous shock according to EN 60068-2-27/IEC 60068-2-27	10 g

Conformance with EMC Directive 2004/108/EC**Noise immunity test in accordance with EN 61000-6-2**

Electrostatic discharge (ESD) EN 61000-4-2/IEC 61000-4-2	Criterion B; 6 kV contact discharge, 8 kV air discharge
Electromagnetic fields EN 61000-4-3/IEC 61000-4-3	Criterion A; Field intensity: 10 V/m
Fast transients (burst) EN 61000-4-4/IEC 61000-4-4	Criterion B, 2 kV
Transient surge voltage (surge) EN 61000-4-5/IEC 61000-4-5	Criterion B; supply lines DC: \pm 0.5 kV/ \pm 0.5 kV (symmetrical/asymmetrical); \pm 1 kV to shielded I/O cables
Conducted interference EN 61000-4-6/IEC 61000-4-6	Criterion A; Test voltage 10 V

Noise emission test according to EN 61000-6-3

Radio interference properties EN 55022	Class B
--	---------

Approvals

For the latest approvals, please visit phoenixcontact.net/products.

5 Additional technical data

Filter time	Typical scan repeat time for all eight measuring channels	Typical scan time for each measuring channel
120 ms	1.63 s	203 ms
100 ms	1.48 s	185 ms
60 ms	1.15 s	144 ms
40 ms	1.0 s	125 ms

Common mode rejection with different filter times

Filter time	Optimization of common mode rejection for the interference frequency	Typical common mode rejection for measuring inputs of analog/digital converters (CMRR)
120 ms	50 Hz	80 dB (at 50 Hz)
100 ms	60 Hz	90 dB (at 60 Hz)
60 ms	-	-
40 ms	-	-

Connecting cable and maximum cable length specifications

Connection method	Maximum permissible cable length	Sensor type
4-wire	250 m	All
3-wire	100 m	All
2-wire	20 m	Pt 1000, Ni 1000, R _{Lin} 5000 Ω
2-wire	3 m	Pt 100, Ni 100, R _{Lin} 500 Ω

The maximum cable length specification is valid from the sensor to the connection terminal block and includes the maximum specified tolerances.

With 2-wire termination, longer cable lengths may increase the measuring tolerances.

The specifications are valid when using the reference cable type LiYCY (TP) 2*2*0.5 mm² and observing the Axioline F installation guidelines.

6 Temperature and resistance measuring ranges

Supported measuring ranges			
Sensor type	Standard and manufacturer specification	Measuring range	
		Lower limit	Upper limit
Pt sensors (e.g., Pt 100, Pt 500, Pt 1000)	DIN IEC 60751 or SAMA RC 21-4-1966	-200 °C	+850 °C
Ni sensors (e.g., Ni 100, Ni 1000)	DIN IEC 60751 or SAMA RC 21-4-1966	-60 °C	+180 °C
Ni 500 (Viessmann)	(Viessmann)	-60 °C	+250 °C
Ni 1000 (Landis & Gyr)	(Landis & Gyr)	-50 °C	+160 °C
KTY 81-110	(Philips)	-55 °C	+150 °C
KTY 81-210	(Philips)	-55 °C	+150 °C
KTY 84	(Philips)	-40 °C	+300 °C
Cu 10	SAMA RC 21-4-1966	-70 °C	+500 °C
Cu 50	SAMA RC 21-4-1966	-50 °C	+200 °C
Cu 53	SAMA RC 21-4-1966	-50 °C	+180 °C
Linear resistor R_{Lin} 500 Ω (linear range 1)		0 Ω	500 Ω
Linear resistor R_{Lin} 5000 Ω (linear range 2)		0 Ω	5000 Ω



The linear input ranges have an additional overflow range of 5% of the measuring range final value. For linear input ranges, the measuring range around the zero point may be limited by $\pm 0.03\%$. If a short-circuit occurs or there is a resistance value of $R = 0.0 \Omega$, the "Underrange" message (8080_{hex}/32896_{dec}) may appear in the process data.

7 Tolerance data

7.1 Tolerances with 3-wire technology at 25°C

Measuring conditions:

- Nominal operation $U_A = 24 \text{ V}$
- Connection of sensors in 3-wire technology
- Filter of RTD inputs 120 ms
- All channels are connected
- Installation on horizontal DIN rail on the wall
- Reference cable type LiYCY (TP) 2*2*0.5 mm² with a connection length of < 1 m

No.	Sensor type	Measuring range		Absolute tolerance		Relative tolerance (with reference to MRFV)	
		Lower limit	Upper limit	Typical	Maximum	Typical	Maximum
1	Pt 100 DIN and SAMA	-200 °C	+200°C	±0.10 K	±0.38 K	±0.05%	±0.19%
2	Pt 100 DIN and SAMA	-200 °C	+850 °C	±0.13 K	±0.55 K	±0.02%	±0.06%
3	Pt 1000 DIN and SAMA	-200 °C	+850 °C	±0.15 K	±0.68 K	±0.02%	±0.08%
4	Ni 100	-60°C	+180°C	±0.05 K	±0.12 K	±0.03%	±0.07%
5	Ni 1000	-60°C	+180°C	±0.09 K	±0.46 K	±0.05%	±0.26%
6	Ni 1000 (Landis & Gyr)	-50°C	+160°C	±0.09 K	±0.49 K	±0.06%	±0.31%
7	KTY 81-110	-55°C	+150°C	±0.08 K	±0.41 K	±0.05%	±0.27%
8	KTY84 (KTY84 - 130, KTY84 - 150)	-55°C	+150°C	±1.20 K		±0.80%	
9	KTY 81-210	-55°C	+150°C	±0.05 K		±0.03%	
10	Cu 10	-70°C	+500°C				
11	Cu 50	-50°C	+200°C				
12	Cu 53	-50°C	+180°C				
13	Linear resistor R_{Lin} 500 Ω (linear range 1)	0 Ω	500 Ω	±0.12 Ω	±2.35 Ω	±0.02%	±0.47%
14	Linear resistor R_{Lin} 5000 Ω (linear range 2)	0.1 Ω	5000 Ω	±0.50 Ω	±6.5 Ω	±0.01%	±0.13%

MRFV= Measuring range final value

The data contains the offset error, gain error, and linearity error in its respective setting.

Please take the values for the temperature drift into consideration (see tables in Section "Temperature and drift response") when you determine the total tolerance.

Typical tolerance values are measured application values that are based on the maximum variance of all test objects.

The **maximum tolerance values** represent the worst-case measurement inaccuracy. They contain the theoretical maximum possible tolerances in the corresponding measuring ranges as well as the theoretical maximum possible tolerances of the calibration and test equipment. The data is valid for at least 24 months from delivery of the module. Thereafter the modules can be recalibrated by the manufacturer at any time.

7.2 Tolerances with 4-wire technology at 25°C

Measuring conditions:

- Nominal operation $U_A = 24\text{ V}$
- Connection of sensors in 4-wire technology
- Filter of RTD inputs 120 ms
- All channels are connected
- Installation on horizontal DIN rail on the wall
- Reference cable type LiYCY (TP) $2 \times 2 \times 0.5\text{ mm}^2$ with a connection length of $< 1\text{ m}$

No.	Sensor type	Measuring range		Absolute tolerance		Relative tolerance (with reference to MRFV)	
		Lower limit	Upper limit	Typical	Maximum	Typical	Maximum
1	Pt 100 DIN and SAMA	-200 °C	+200 °C	±0.05 K	±0.25 K	±0.03%	±0.13%
2	Pt 100 DIN and SAMA	-200 °C	+850 °C	±0.10 K	±0.42 K	±0.01%	±0.05%
3	Pt 1000 DIN and SAMA	-200 °C	+850 °C	±0.13 K	±0.60 K	±0.03%	±0.10%
4	Ni 100	-60 °C	+180 °C	±0.04 K	±0.12 K	±0.02%	±0.07%
5	Ni 1000	-60 °C	+180 °C	±0.09 K	±0.43 K	±0.05%	±0.24%
6	Ni 1000 (Landis & Gyr)	-50 °C	+160 °C	±0.09 K	±0.47 K	±0.06%	±0.29%
7	KTY 81-110	-55 °C	+150 °C	±0.08 K	±0.38 K	±0.03%	±0.10%
8	KTY84 (KTY84 - 130, KTY84 - 150)	-55 °C	+150 °C	±1.20 K		±0.80%	
9	KTY 81-210	-55 °C	+150 °C	±0.05 K		±0.03%	
10	Cu 10	-70 °C	+500 °C				
11	Cu 50	-50 °C	+200 °C				
12	Cu 53	-50 °C	+180 °C				
13	Linear resistor R_{Lin} 500 Ω (linear range 1)	0 Ω	500 Ω	±0.12 Ω	±2.35 Ω	±0.02%	±0.47%
14	Linear resistor R_{Lin} 5000 Ω (linear range 2)	0.1 Ω	5000 Ω	±0.50 Ω	±6.5 Ω	±0.03%	±0.13%

MRFV= Measuring range final value

The data contains the offset error, gain error, and linearity error in its respective setting.

Please take the values for the temperature drift into consideration (see tables in Section "Temperature and drift response") when you determine the total tolerance.

Typical tolerance values are measured application values that are based on the maximum variance of all test objects.

The **maximum tolerance values** represent the worst-case measurement inaccuracy. They contain the theoretical maximum possible tolerances in the corresponding measuring ranges as well as the theoretical maximum possible tolerances of the calibration and test equipment. The data is valid for at least 24 months from delivery of the module. Thereafter the modules can be recalibrated by the manufacturer at any time.

7.3 Tolerances influenced by electromagnetic interference

Type of electromagnetic interference	Standard	Level	Additional tolerances of measuring range final value	Criterion
Electromagnetic fields	EN 61000-4-3/IEC 61000-4-3	10 V/m	None	A
Fast transients (burst)	EN 61000-4-4/IEC 61000-4-4	1.1 kV	None	A
Conducted interference	EN 61000-4-6/IEC 61000-4-6	150 kHz ... 80 MHz, 10 V, 80% (1 kHz)	None	A

The data was determined under nominal conditions with the following parameterization: Pt100, resolution 0.1 K, 3-wire termination, filter 120 ms.

The set-up was implemented in accordance with the installation guidelines (with shielded I/O cables).



No additional tolerances occur due to the influence of high-frequency interference caused by wireless transmission systems in the near vicinity.

The specifications refer to nominal operation. The modules are directly exposed to interference without the use of additional shielding measures (e.g., steel cabinet).

8 Temperature and drift response



Please also observe the calculation examples at the end of the document.

8.1 Tolerance and temperature response (drift response) for 3-wire termination

Tolerance and temperature response at $T_A = -25^\circ\text{C}$ to $+60^\circ\text{C}$				
Sensor type	Measuring range		Drift	
	Lower limit	Upper limit	Typical	Maximum
Pt 100 DIN and SAMA	-200°C	$+850^\circ\text{C}$	± 5 ppm/K	± 18 ppm/K
Pt 1000 DIN and SAMA	-200°C	$+850^\circ\text{C}$	± 20 ppm/K	± 65 ppm/K
Ni 100 DIN and SAMA	-60°C	$+180^\circ\text{C}$	± 4 ppm/K	± 20 ppm/K
Ni 1000 DIN and SAMA	-60°C	$+180^\circ\text{C}$	± 23 ppm/K	± 75 ppm/K
Linear resistor R_{Lin} 500 Ω (linear range 1)	0 Ω	500 Ω	± 5 ppm/K	± 20 ppm/K
Linear resistor R_{Lin} 5000 Ω (linear range 2)	0 Ω	5000 Ω	± 34 ppm/K	± 95 ppm/K

8.2 Tolerance and temperature response (drift response) for 4-wire termination

Tolerance and temperature response at $T_A = -25^\circ\text{C}$ to $+60^\circ\text{C}$				
Sensor type	Measuring range		Drift	
	Lower limit	Upper limit	Typical	Maximum
Pt 100 DIN and SAMA	-200°C	$+850^\circ\text{C}$	± 3 ppm/K	± 18 ppm/K
Pt 1000 DIN and SAMA	-200°C	$+850^\circ\text{C}$	± 18 ppm/K	± 65 ppm/K
Ni 100 DIN and SAMA	-60°C	$+180^\circ\text{C}$	± 2 ppm/K	± 20 ppm/K
Ni 1000 DIN and SAMA	-60°C	$+180^\circ\text{C}$	± 24 ppm/K	± 75 ppm/K
Linear resistor R_{Lin} 500 Ω (linear range 1)	0 Ω	500 Ω	± 4 ppm/K	± 20 ppm/K
Linear resistor R_{Lin} 5000 Ω (linear range 2)	0 Ω	5000 Ω	± 25 ppm/K	± 80 ppm/K

Typical drift values have been determined under nominal conditions with a filter of 120 ms. All channels were connected and parameterized in the same way.

Typical tolerance values are measured application values that are based on the maximum variance of all test objects.

Hardly any typical drift influences can be determined in the temperature range from $T_A = +25^\circ\text{C}$ to $+60^\circ\text{C}$. The documented typical drift values basically occur in the temperature range from $T_A = -25^\circ\text{C}$ to $+25^\circ\text{C}$.

The **maximum values** represent the worst case measurement inaccuracy.

8.3 Absolute tolerances with a Pt100 sensor at $T_A = -25^{\circ}\text{C} \dots +60^{\circ}\text{C}$

Measuring conditions:

- Nominal operation $U_A = 24\text{ V}$
- Filter of RTD inputs 120 ms
- Installation on horizontal DIN rail on the wall
- Reference cable type LiYCY (TP) $2 \times 2 \times 0.5\text{ mm}^2$ with a connection length of $< 100\text{ m}$ (with 3-wire technology)
- Reference cable type LiYCY (TP) $2 \times 2 \times 0.5\text{ mm}^2$ with a connection length of $< 250\text{ m}$ (with 4-wire technology)

Tolerances at $T_A = -25^{\circ}\text{C} \dots +60^{\circ}\text{C}$

Sensor type (4-wire termination)	Measuring range (nominal range)		Connection method	Absolute tolerance	
	Lower limit	Upper limit		Typical	Maximum
Pt 100 DIN and SAMA	-200°C	$+200^{\circ}\text{C}$	4-wire	$\pm 0.08\text{ K}$	$\pm 0.43\text{ K}$
Pt 100 DIN and SAMA	-200°C	$+200^{\circ}\text{C}$	3-wire	$\pm 0.15\text{ K}$	$\pm 0.56\text{ K}$

The data contains the offset error, gain error, and linearity error in its respective setting.

Typical tolerance values are measured application values that are based on the maximum variance of all test objects.

The **maximum tolerance values** represent the theoretical worst case measurement inaccuracy. Besides the maximum offset error and gain error, the maximum tolerance values also comprise the longtime drift as well as the maximum tolerances of the test and calibration equipment.

9 Internal circuit diagram

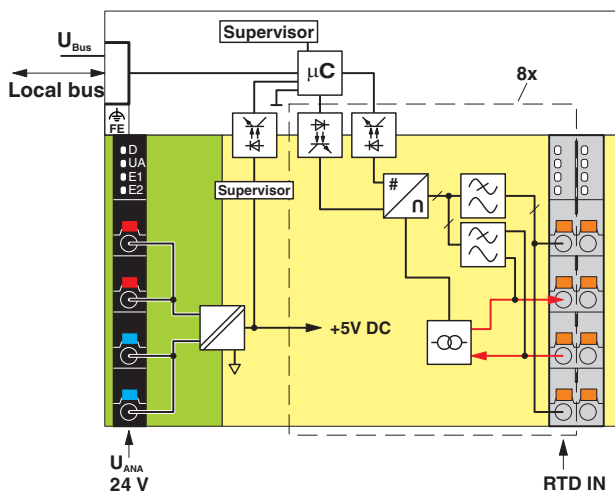


Figure 1 Internal wiring of the terminal points

Key:

Local bus Axioline F local bus
(hereinafter referred to as local bus)



Microcontroller



Optocoupler



Power supply unit with electrical isolation



Analog/digital converter



Low pass filter



Hardware monitoring



Constant current source



Electrically isolated area

10 Terminal point assignment

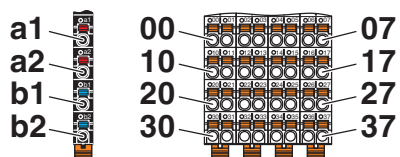


Figure 2 Terminal point assignment

Terminal point	Color	Assignment	
Supply voltage input			
a1, a2	Red	24 V DC (U _A)	Analog module supply (internally jumpered)
b1, b2	Blue	GND	Reference potential of the supply voltage (internally jumpered)
Analog inputs			
00 ... 07	Orange	U1+ ... U8+	RTD sensor + channels 1 ... 8
10 ... 17	Orange	I1+ ... I8+	Constant current supply + channels 1 ... 8
20 ... 27	Orange	I1- ... I8-	Constant current supply - channels 1 ... 8
30 ... 37	Orange	U1- ... U8-	RTD sensor - channels 1 ... 8

11 Connection examples

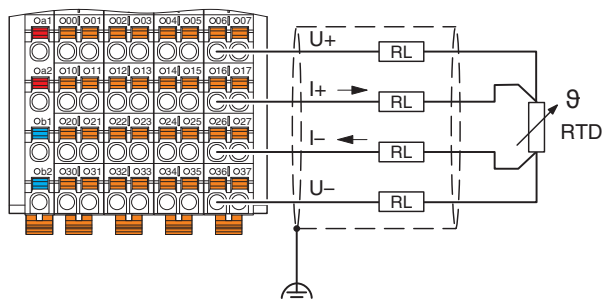


Figure 3 Connection example: 4-wire termination

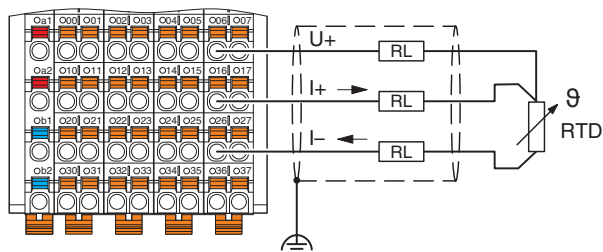


Figure 4 Connection example: 3-wire termination

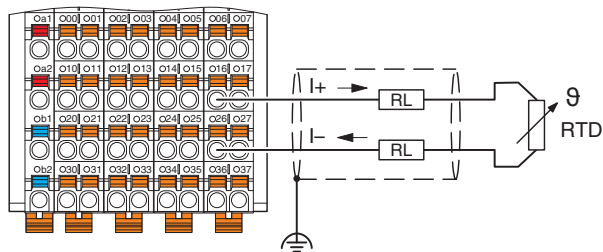


Figure 5 Connection example: 2-wire termination

In order to also measure 3-wire sensors with very long supply lines without additional tolerances, we also recommend 4-conductor connection technology here.

Parameterize the channel as 4-wire channel and jumper the Ix- and Ux- connections on the sensor side.

In this application you can connect sensors with a cable length up to 250 m.

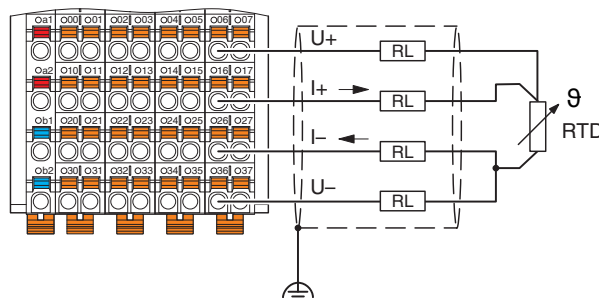


Figure 6 Connection example: 4-wire termination for 3-wire sensor with very long supply lines (> 100 m)

12 Connection notes



NOTE: Damage to the electronics/measuring errors

Always connect the analog sensors using shielded, twisted pair cables.

Unshielded cables may lead to values outside the specified tolerance limits in environments subject to heavy noise.

Shielded, twisted connecting cables (e.g., Li-YCY (TP 2*2*0.5 mm²)) must be used in environments subject to heavy noise as well as for sensor cables longer than 1 m.

Connect the cable shield to functional earth immediately after the cables enter the control cabinet.

If there is no closed control cabinet, connect the shield to a shield bus.

Use the AXL SHIELD SET Axiline shield connection set for an optimized connection directly in front of the module.



For further information on shielding, please refer to the UM EN AXL SYS INST user manual.

13 Local status and diagnostic indicators

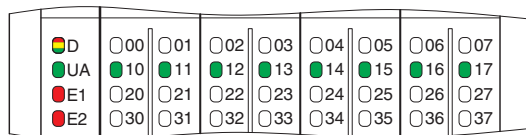


Figure 7 Local status and diagnostic indicators

Designation	Color	Meaning	State	Description
D	Red/yellow/green	Diagnostics of local bus communication		
		Power down	OFF	Device in (power) reset.
		Not connected	Red flashing	Device operating, but there is no connection to previous device.
		Reset	Red ON	Application reset Device operating, but there is still a connection to the previous device, the application is reset.
		Ready	Yellow ON	Device operating, there is still a connection to the previous device, but the device has not yet detected a valid cycle after power on.
		Connected	Yellow flashing	Valid data cycles have been detected, but the device is (not) yet part of the current configuration.
		Device application not active	Green/yellow alternating	Valid data cycles are being detected. The master application set the output data to valid, however, the slave application has not set the input data to valid as yet.
		Active	Green flashing	Device operating, communications within the station is OK. The master application does not read the input data. (The connection to the controller has not yet been established, for example.)
Run	Green ON	Valid data cycles are being detected. All data is valid		
UA	Green	U _{Analog}	ON	Supply of analog modules present
			OFF	Supply of analog modules not present
E1	Red	Supply voltage error	ON	Supply voltage is faulty.
			OFF	Supply voltage is present.
E2	Red	Error	ON	I/O or channel error has occurred.
			OFF	No error
10 ... 17	Red/Orange/Green	Channel Scout/error message		
		Channel Scout	Orange flashing	Channel searched for
		Error message	Red ON	Open circuit, overrange or underrange
				Errors which affect the entire device (e.g., parameter table invalid); Such errors are only displayed on active channels.
		OK	Green ON	Normal operation
Inactive	OFF	Channel is parameterized as inactive.		



Channel errors are errors that can be associated with a channel.
Periphery errors are errors that affect the entire module.



For more information on the meaning of local diagnostic and status indicators, please refer to the UM EN AXL SYS INST user manual.

Error code and status of the E1 and E2 LEDs

Error	E1 LED	E2 LED
No error	OFF	OFF
Underrange	OFF	ON
Overrange	OFF	ON
Open circuit	OFF	ON
Faulty supply voltage	ON	ON
Parameter table invalid	OFF	ON
Device error	OFF	ON
Flash format error	OFF	ON

14 Diagnostic behavior in the event of an error

The module diagnoses and indicates the following error states. The states are indicated in the diagnostic object (PDI object 0018_{hex}), at the corresponding local diagnostic indicators, and in the IN process data when the IB IL format is set.

No.	Error	Indication in the process data	Messages via the "Diagnostics" object	Local diagnostic indicators
1	U _L missing	None (local bus without supply)	None	All LEDs are off. (Exception: UA LED)
2	Measured value is above the valid measuring range (e.g., 500 Ω at Pt100 input).	8001 _{hex} : Measuring range exceeded (overrange)	Yes	LED of the relevant channel (10 ... 17) is red. E2 LED is red
3	Sensor connector is not plugged in, the sensor cable is completely interrupted	8002 _{hex} : Open circuit	Yes	LED of the relevant channel (10 ... 17) is red. E2 LED is red
4	Measured value invalid (e.g., if channel is inactive)	8004 _{hex} : Measured value invalid	Yes	None
5	U _A (24 V) is missing or failure of internal I/O voltages	8020 _{hex} : Faulty supply voltage Peripheral fault message is triggered	Yes	The E1 and E2 LEDs light up red LEDs 10 ... 17 of the active channels light up red
6	Internal component faulty	8040 _{hex} : Device faulty	Yes	LED E2 lights up red LEDs 10 ... 17 of the active channels light up red
7	Measured value is below the valid measuring range (e.g., 5 Ω at Pt100 input).	8080 _{hex} : Below measuring range (underrange)	Yes	LED of the relevant channel (10 ... 17) is red. E2 LED is red

15 Process data

The module uses eight input process data words.

Each channel is mapped to a word.

Input words IN1 to IN8

The measured values are transmitted to the controller board or the computer by means of the process data input words IN1 to IN8.

The I/O data is mapped as follows.

INx															
15	14	13	12	11	10	9	8	7	6	5	4	3	2	1	0
V	Analog value														

V Sign bit

In the IB IL format a diagnostic code is mapped to the input data in the event of an error.

Code (hex)	Cause
8001	Measuring range exceeded (overrange)
8002	Open circuit
8004	Measured value invalid/no valid measured value available
8010	Parameter table invalid
8020	Faulty supply voltage
8040	Device faulty
8080	Below measuring range (underrange)



As long as a used channel is not parameterized, the relevant status LED is OFF and the code 8004_{hex} is transmitted in the process data.

16 Significant values in various formats

16.1 Significant values in "IB IL" format

Input data		R 0 Ω ... 500 Ω		R 0 Ω ... 5 k Ω		Temperature sensors	
Resolution		0.1 Ω	0.01 Ω	1 Ω	0.1 Ω	0.1°C or 0.1°F	0.01°C or 0.01°F
hex	dec	Ω	Ω	Ω	Ω	°C or °F	°C or °F
8001	Overrange	> 525	> 325.12	> 5250	> 3251.2	> Limit value	> Limit value
03E8	1000	+100.0	+10.0	+1000.0	+100.0	+100.0	+10.0
0001	1	+0.1	+0.01	+1.0	+0.1	+0.1	+0.01
0000	0	≤ 0	≤ 0	≤ 0	≤ 0	0	0
FFFF	-1					-0.1	-0.01
FC18	-1000					-100.000	-10.0
8080	Underrange					< Limit value	< Limit value

16.2 Significant values in S7-compatible format

Input data		R 0 Ω ... 500 Ω		R 0 Ω ... 5 k Ω		Temperature sensors	
Resolution		0.1 Ω	0.01 Ω	1 Ω	0.1 Ω	0.1°C or 0.1°F	0.01°C or 0.01°F
hex	dec	Ω	Ω	Ω	Ω	°C or °F	°C or °F
7FFF	Overrange	> 525	> 325.12	> 5250	> 3251.2	> Limit value	> Limit value
03E8	1000	+100.0	+10.0	+1000.0	+100.0	+100.0	+10.0
0001	1	+0.1	+0.01	+1.0	+0.1	+0.1	+0.01
0000	0	≤ 0	≤ 0	≤ 0	≤ 0	0	0
FFFF	-1					-0.1	-0.01
FC18	-1000					-100.000	-10.0
8000	Underrange					< Limit value	< Limit value

17 Parameter, diagnostics and information (PDI)

Parameter and diagnostic data as well as other information is transmitted via the PDI channel of the Axioline F station.



For information on PDI, please refer to the UM EN AXL SYS INST user manual.

The standard and application objects stored in the module are described in the following section.



Please refer to the basic profile for comprehensive information.

The following applies to all tables below:

Please refer to the UM EN AXL SYS INST or the basic profile for an explanation of the object codes and data types.

Abbreviation	Meaning
A	Number of elements
L	Length of the elements in bytes
R	Read
W	Write



Every visible string is terminated with a zero terminator (00_{hex}). The length of a visible string element is therefore one byte larger than the amount of user data.

18 Standard objects

18.1 Objects for identification (device rating plate)

Index (hex)	Object name	Object type	Data type	A	L	Rights	Meaning	Contents
Manufacturer								
0001	VendorName	Var	Visible String	1	16	R	Manufacturer name	Phoenix Contact
0002	VendorID	Var	Visible String	1	7	R	Manufacturer identification	00A045
0003	VendorText	Var	Visible String	1	49	R	Comment on the manufacturer	Components and systems for industrial automation
0012	VendorURL	Var	Visible String	1	30	R	URL of the manufacturer	http://www.phoenix-contact.com
Module - general								
0004	DeviceFamily	Var	Visible String	1	14	R	Device family	I/O analog IN
0006	ProductFamily	Var	Visible String	1	33	R	Product family	Axioline - High speed I/O system
000E	CommProfile	Var	Visible String	1	4	R	Communication profile	633
000F	DeviceProfile	Var	Visible String	1	5	R	Device profile	0010
0011	ProfileVersion	Record	Visible String	2	11; 22	R	Device profile version	2009-10-22; Basic - Profile V1.12
003A	VersionCount	Array	Unsigned 16	4	4 * 2	R	Version counter	e. g., 0005 0000 0000 0000
Module - special								
0005	Capabilities	Array	Visible String	1	8	R	Properties	Energ_0
0007	ProductName	Var	Visible String	1	14	R	Product designation	AXL F RTD8 1F
0008	SerialNo	Var	Visible String	1	11	R	Serial number	xxxxxxxx (e. g., 0123456789)
0009	ProductText	Var	Visible String	1	24	R	Product text	8 analog input channels
000A	OrderNumber	Var	Visible String	1	8	R	Order No.	2688077
000B	HardwareVersion	Record	Visible String	2	11; 3	R	Hardware version	e. g., 2010-06-21; 01
000C	FirmwareVersion	Record	Visible String	2	11; 6	R	Firmware version	e. g., 2010-06-21; V1.10
000D	PChVersion	Record	Visible String	2	11; 6	R	Parameter channel version	2010-01-08; V1.00
0037	DeviceType	Var	Octet string	1	8	R	Module identification	00 20 00 10 00 00 00 A1 _{hex}
Use of the device								
0014	Location	Var	Visible String	1	59	R/W	Installation location	Can be filled out by the user.
0015	EquipmentIdent	Var	Visible String	1	59	R/W	Equipment identifier	Can be filled out by the user.
0016	ApplDeviceAddr	Var	Unsigned 16	1	2	R/W	User-defined device number	Can be filled out by the user.

18.2 Object for multilingual capacity

Index (hex)	Object name	Object type	Data type	A	L	Rights	Meaning	Contents
0017	Language	Record	Visible String	2	6; 8	R	Language	en-us; English

18.3 Object descriptions

Index (hex)	Object name	Object type	Data type	A	L	Rights	Meaning
0038	ObjDescrReq	Record		2	3	Read, write	Object whose description is requested
0039	ObjDescr	Record		16	See subindices	Read	Description of the object whose index was requested
003B	PDIN_Descr	Record		3	12	R	Description of the IN process data
003C	PDOOUT_Descr	Record		3	12	R	Description of the output process data



These objects are only important for tools and are therefore not described in more detail here.
Please refer to the basic profile for comprehensive information.

18.4 Diagnostics objects

Index (hex)	Object name	Object type	Data type	A	L	Rights	Assignment/content
0018	DiagState	Record		6	2; 1; 1; 2; 1; 14	R	Diagnostics state; see below
0019	ResetDiag	Var	Unsigned 8	1	1	W	Reset diagnostics

Diagnostics state (0018_{hex}: DiagState)

This object is used for a structured message of an error.

0018 _{hex} : DiagState (Read)				
Subindex	Data type	Length in bytes	Meaning	Contents
0	Record	21	Diagnostic state	Complete diagnostics information
1	Unsigned 16	2	Error number	0 ... 65535 _{dec}
2	Unsigned 8	1	Priority	00 _{hex} No error
				01 _{hex} Error
				02 _{hex} Warning
				81 _{hex} Error removed
				82 _{hex} Warning eliminated
3	Unsigned 8	1	Channel	00 _{hex} No error
				01 _{hex} Channel 1
				:
				08 _{hex} Channel 8
				FF _{hex} Entire device
4	Unsigned 16	2	Error code	See table below
5	Unsigned 8	1	More information follows	00 _{hex} (not supported)
6	Visible String	14	Text (14 characters)	See table below



The message with the priority 81_{hex} or 82_{hex} is a one-time internal message to the bus coupler that is implemented onto the error mechanisms of the higher-level system by the bus coupler.

Error code and status of the local status and diagnostics indicators

Error	Error code		Text	Process data	Priority	Channel	LED				
	hex	dec					D	UA	E1	E2	10 ... 17
No error	0000	0	Status OK	xxxx	00	00	Green ON	ON	OFF	OFF	X
Faulty supply voltage	5160	20832	Supply fail	8020	01	FF	Flashing green/yellow	OFF	ON	ON	Red on
Device error	6301	25345	CS FLASH	8040	01	FF	Green ON	ON	ON	ON	Red on
Flash format error	6302	25346	FO FLASH	8040	01	FF	Green ON	ON	ON	ON	Red on
Parameter table invalid	6320	25376	Invalid para	8010	01	FF	Green ON	ON	OFF	ON	Red on
Open circuit	7710	30480	Open circuit	8002	01	01 ... 08	Green ON	ON	OFF	ON	Red on
Overrange	8910	35088	Overrange	8001	02	01 ... 08	Green ON	ON	OFF	ON	Red on
Underrange	8920	35104	Underrange	8080	02	01 ... 08	Green ON	ON	OFF	ON	Red on

X The LED is not affected by this error.



An error on one channel (channel = 01 ... 08) is displayed via LED 10 ... 17.
An error which affects the entire device (channel = FF), is only displayed on active channels via LEDs 10 ... 17. The corresponding LED is not lit up for inactive channels.



Once the malfunction has been eliminated, it is automatically reset.

Reset diagnostics (0019_{hex}: ResetDiag)

You can delete the diagnostics memory and acknowledge the diagnostic messages with this object.

0019 _{hex} : ResetDiag (Write)					
Subindex	Data type	Length in bytes	Meaning	Contents	
0	Unsigned 8	1	Reset diagnostics	00 _{hex}	All diagnostic messages approved
				02 _{hex}	Deletes and acknowledges all pending diagnostic messages that have not been read out
				06 _{hex}	Deletes and acknowledges all the diagnostic messages and allows no further diagnostic messages
				Other	Reserved

18.5 Objects for process data management

Index (hex)	Object name	Object type	Data type	A	L	Rights	Assignment
0025	PDIN	Var	Octet string	1	16	R	Input process data
0026	PDOU	Var	Octet string	1	16	R	OUT process data; not applicable

IN process data (0025_{hex}: PDIN)

You can read the IN process data of the module with this object.

The structure corresponds to the representation in the "Process data" section.

0025 _{hex} : PDIN (Read)			
Subindex	Data type	Length in bytes	Meaning
0	Octet string	16	Input process data

19 Application objects

Index (hex)	Object name	Object type	Data type	A	L	Rights	Assignment
0080	ParaTable	Array	Unsigned 16	10	10 * 2	R/W	Parameter table
0082	Measured Value Float	Array	Octet string	8	8 * 6	R	Measured values in the extended float format
0083	PD Min	Array	Integer 16	8	8 * 2	R	Minimum process data value
0084	PD Max	Array	Integer 16	8	8 * 2	R	Maximum process data value
0090	Channel Scout	Var	Unsigned 8	1	1	R/W	Channel scout

19.1 Parameter table (0080_{hex}: ParaTable)

Parameterize the module using this object.

In the case of valid parameters, the parameterization is stored in the module permanently.

After resetting, the module works with the last permanently stored data. Upon delivery, the module works with the default data (default settings).

0080 _{hex} : ParaTable (read, write)				
Subindex	Data type	Length in bytes	Meaning	Default value
0	Array of Unsigned 16	10 * 2	Read/write all elements	See subindices
1	Unsigned 16	2	Parameterization of channel 1	000F _{hex}
:	Unsigned 16	2	:	000F _{hex}
8	Unsigned 16	2	Parameterization of channel 8	000F _{hex}
9	Unsigned 16	2	Data format	0000 _{hex}
10	Unsigned 16	2	Reserved	0000 _{hex}

Parameterization of channel 1 ... channel 8

Parameterization word

15	14	13	12	11	10	9	8	7	6	5	4	3	2	1	0
Wire	Filter	R0			Reso- lution	0	0	Sensor type							

Connection method (wire):

Wire	Code (bin)	Code (hex)
3-wire (default)	00	0
2-wire	01	1
4-wire	10	2
Reserved	11	3

Filter:

Filter	Code (bin)	Code (hex)
120 ms (default)	00	0
100 ms	01	1
60 ms	10	2
40 ms	11	3

Resolution:

Resolution	Code (bin)	Code (hex)
0.1°C (default)	00	0
0.01°C	01	1
0.1°F	10	2
0.01°F	11	3

Resistance type (R0):

Parameterization of the resistance type is only useful for Pt and Ni sensors (DIN and SAMA). For other sensors the resistance type does not have to be parameterized.

R0 (Ω)	Code (bin)	Code (hex)
100 (default)	0000	0
10	0001	1
20	0010	2
30	0011	3
50	0100	4
120	0101	5
150	0110	6
200	0111	7
240	1000	8
300	1001	9
400	1010	A
500	1011	B
1000	1100	C
1500	1101	D
2000	1110	E
Reserved	1111	F

Sensor type:

Sensor type	Code (bin)	Code (hex)
Pt DIN	0000	0
Pt SAMA	0001	1
Ni DIN	0010	2
Ni SAMA	0011	3
Cu 10	0100	4
Cu 50	0101	5
Cu 53	0110	6
Ni 1000 (L&G)	0111	7
Ni 500 (Viessmann)	1000	8
KTY 81-110	1001	9
KTY84 (KTY84 - 130, KTY84 - 150)	1010	A
KTY 81-210	1011	B
Reserved	1100	C
Linear R 0 Ω ... 500 Ω	1101	D
Linear R 0 Ω ... 5 kΩ	1110	E
Channel inactive (default)	1111	F



For the sensor types 0_{hex} to 3_{hex} parameterize the resistance type as well.

Possible resolutions for the individual sensor types

Resolution for sensor type				
Temperature sensors	Linear R 0 Ω ... 500 Ω	Linear R 0 Ω ... 5 kΩ	Code (bin)	Code (hex)
0.1°C	0.1 Ω	1 Ω	00	0
0.01°C	0.01 Ω	0.1 Ω	01	1
0.1°F	Reserved	Reserved	10	2
0.01°F	Reserved	Reserved	11	3

Data format/system bits:

15	14	13	12	11	10	9	8	7	6	5	4	3	2	1	0
0	0	0	0	0	B	Data format	0	0	0	0	0	0	0	0	K

B: open circuit detection	Code (bin)	Code (hex)
Open circuit detection active (default)	0	0
Open circuit detection disabled	1	1



Open circuit detection is activated by default. In the event of extreme EMC requirements, i.e., interference significantly above the industry standard, this bit can be used to disable open circuit detection.

Data format	Code (bin)	Code (hex)
IB IL (default setting)	00	0
Reserved	01	1
S7-compatible	10	2
Reserved	11	3

K: Temperature drift compensation	Code (bin)	Code (hex)
Compensation active (default)	0	0
Compensation inactive	1	1

19.2 Measured value in extended float format (0082_{hex}: Measured Value Float)

You can read the IN process data in IB IL or S7-compatible format with the 0025_{hex} object.

The 0082_{hex} object is also available.

This object provides the measured value in the highest internal accuracy of the terminal in the float format.

0082 _{hex} : Measured Value Float (Read)			
Subindex	Data type	Length in bytes	Meaning
0	Array of Records	8 * 6	Read all elements
1	Record	6	Measured value for channel 1
:	:	:	:
8	Record	6	Measured value for channel 8

Channel 1 ... channel 8 measured value

Element	Data type	Length in bytes	Meaning
1	Float 32	4	Value in the float format acc. to IEEE 754
2	Unsigned 8	1	Status
3	Unsigned 8	1	Unit code

Structure of the float format according to IEEE 754 in the bit representation:

VEEE EEEE	EMMM MMMM	MMMM MMMM	MMMM MMMM
-----------	-----------	-----------	-----------

V	1 sign bit, 0: positive, 1: negative
E	8 bits exponent with offset 7F _{hex}
M	23 bits mantissa

Some example values for conversion from floating point to hexadecimal representation:

Floating point	Hexadecimal representation
1.0	3F 80 00 00
10.0	41 20 00 00
1.03965528	3F 85 13 6D
- 1.0	BF 80 00 00

Extended Float Format

The Extended Float Format is a specially defined format. It consists of the measured value in the float format, a status and a unit code.

Status is necessary because the float format defines no patterns providing information on the status of the numerical value.

The status corresponds to the LSB of the diagnostic code in IB IL format (e.g., overrange: status = 01, diagnostic code = 8001_{hex}). If status = 0, the measured value is valid.

Unit code	Code
°C	32 (20 _{hex})
°F	33 (21 _{hex})
Ohms (Ω)	37 (25 _{hex})

Status	Code
Measured value is valid	00 _{hex}
Measured value is invalid	Other

19.3 Minimum process data value (0083_{hex}: PD Min)

Object 0083_{hex} can be used to read the minimum process data values.

The values are initialized after each parameterization. The highest value is assigned for the minimum process data value.

PD Min = 7FFF 7FFF 7FFF 7FFF 7FFF 7FFF 7FFF 7FFF_{hex}

On every analog conversion, the PD Min value is compared with the current measured values and overwritten if necessary.

0083 _{hex} : PD Min (Read)			
Subindex	Data type	Length in bytes	Meaning
0	Array of Integer 16	8 * 2	Read all elements
1	Integer 16	2	Minimum process data value channel 1
:	:	:	:
8	Integer 16	2	Minimum process data value channel 8

19.4 Maximum process data value (0084_{hex}: PD Max)

Object 0084_{hex} can be used to read the maximum process data values.

The values are initialized after each parameterization. The lowest value is assigned for the maximum process data value.

PD Max = 8000 8000 8000 8000 8000 8000 8000 8000_{hex}

On every analog conversion, the PD Max value is compared with the current measured values and overwritten if necessary.

0084 _{hex} : PD Max (Read)			
Subindex	Data type	Length in bytes	Meaning
0	Array of Integer 16	8 * 2	Read all elements
1	Integer 16	2	Maximum process data value channel 1
:	:	:	:
8	Integer 16	2	Maximum process data value channel 8

19.5 Channel scout (0090_{hex})

This object is used to quickly find a channel.

0090 _{hex} : channel scout (read, write)					
Subindex	Data type	Length in bytes	Meaning	Contents	
0	Var	1	Channel scout	0	Disable all channel scout processes
				1 ... 8	Green LED of the channel is flashing at 0.5 Hz (1 second ON, 1 second OFF)

The function is terminated automatically after five minutes if you do not deactivate the Channel Scout processes. The flashing overrides all diagnostic messages of the selected channel. When a channel is parameterized, the Channel Scout function is aborted.

- 0 Disable all channel scout processes
- 1 ... 8 Green LED of the channel is flashing at 0.5 Hz (1 second ON, 1 second OFF)

20 Parameterization example

A different parameterization is selected for every channel. The data format is the IB IL format.

Channel	Connection method (wire)	Filter	R0	Resolution	Sensor type
1	3-wire	120 ms	100 Ω	0.1°C	Pt 100 DIN (= Pt DIN)
2	2-wire	60 ms	300 Ω	0.1°C	Pt 300 DIN (= Pt DIN)
3	4-wire	120 ms	100 Ω	0.01°C	Pt 100 DIN (= Pt DIN)
4	2-wire	40 ms	not relevant, e. g. 100 Ω (Default)	1 Ω	Linear R 0 Ω ... 5 kΩ
5	2-wire	100 ms	500 Ω	0.1°C	Pt 500 DIN (= Pt DIN)
6	4-wire	120 ms	1000 Ω	0.1°C	Ni 1000 DIN (= Ni DIN)
7	2-wire	120 ms	not relevant, e. g. 100 Ω (Default)	0.1°C	Cu 10
8	Not used				

The individual parameterization words are combined in accordance with the modular principle.

Channel	Parameter word (hex)	Parameter word (bin)															
		15	14	13	12	11	10	9	8	7	6	5	4	3	2	1	0
		Wire		Filter		R0				Resolution		0	0	Sensor type			
1	0000	0	0	0	0	0	0	0	0	0	0	0	0	0	0	0	0
2	6900	0	1	1	0	1	0	0	1	0	0	0	0	0	0	0	0
3	8040	1	0	0	0	0	0	0	0	0	1	0	0	0	0	0	0
4	700E	0	1	1	1	0	0	0	0	0	0	0	0	1	1	1	0
5	5B00	0	1	0	1	1	0	1	1	0	0	0	0	0	0	0	0
6	8C02	1	0	0	0	1	1	0	0	0	0	0	0	0	0	1	0
7	4044	0	1	0	0	0	0	0	0	0	1	0	0	0	1	0	0
8	000F	0	0	0	0	0	0	0	0	0	0	0	0	1	1	1	1

This results in the following parameter table:

Element	Meaning	Value (hex)
1	Parameterization of channel 1	0000
2	Parameterization of channel 2	6900
3	Parameterization of channel 3	8040
4	Parameterization of channel 4	700E
5	Parameterization of channel 5	5B00
6	Parameterization of channel 6	8C02
7	Parameterization of channel 7	4044
8	Parameterization of channel 8	000F
9	Data format, system bits	0000
10	Reserved	0000

21 Device descriptions

The device is described in the device description files.

The device descriptions for controllers from Phoenix Contact are included in PC Worx and the corresponding service packs.

The device description files for other systems are available for download at phoenixcontact.net/download in the download area of the bus coupler used.

22 Measuring errors through connecting cables for sensors with 2-wire termination

Diagram 1

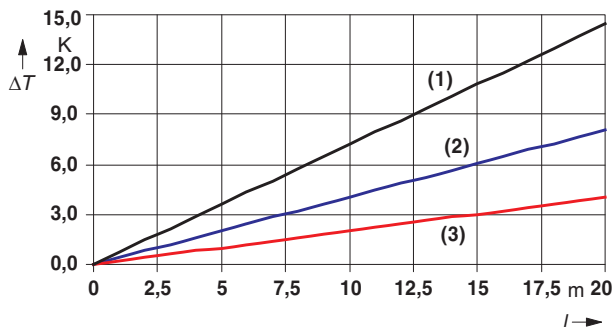


Figure 8 Systematic temperature measuring error ΔT depending on the cable length l

Curves depending on cable cross section A

- 1 Temperature measuring error for $A = 0.14 \text{ mm}^2$
- 2 Temperature measuring error for $A = 0.25 \text{ mm}^2$
- 3 Temperature measuring error for $A = 0.50 \text{ mm}^2$

(Measuring error valid for: copper cable $\chi = 57 \text{ m}/\Omega\text{mm}^2$, $T_A = 25^\circ\text{C}$ and Pt100 sensor)

Diagram 2

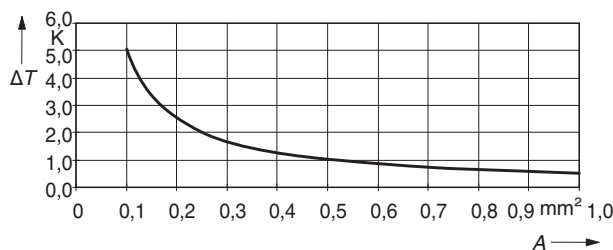


Figure 9 Systematic temperature measuring error ΔT depending on the cable cross section A

(Measuring error valid for: copper cable $\chi = 57 \text{ m}/\Omega\text{mm}^2$, $T_A = 25^\circ\text{C}$, $l = 5 \text{ m}$, and Pt100 sensor)

Diagram 3

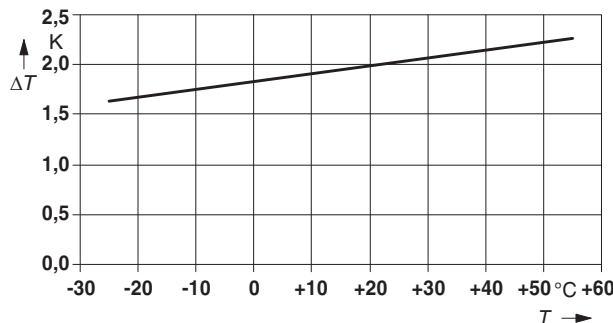


Figure 10 Systematic temperature measuring error ΔT depending on the cable temperature T

(Measuring error valid for: copper cable $\chi = 57 \text{ m}/\Omega\text{mm}^2$, $T_A = 25^\circ\text{C}$, $l = 5 \text{ m}$, $A = 0.25 \text{ mm}^2$, and Pt100 sensor)

Conclusion

All diagrams show that the increase in cable resistance causes the measuring error.

A considerable improvement is made when Pt1000 sensors are used. Due to the 10-fold higher temperature coefficient α ($\alpha = 0.385 \text{ } \Omega/\text{K}$ for Pt100 to $\alpha = 3.85 \text{ } \Omega/\text{K}$ for Pt1000) the effect of the cable resistance on the measurement is decreased by factor 10. All errors in the diagrams above would be reduced by factor 10.

Diagram 1 clearly shows the effect of the cable length on the cable resistance and therefore on the measuring error. The solution is to use the shortest possible sensor cables.

Diagram 2 shows the influence of the cable diameter on the cable resistance. It can be seen that cables with a diameter of less than 0.5 mm^2 cause the error to increase exponentially.

Diagram 3 shows the influence of the ambient temperature on the cable resistance. This parameter is of minor importance and can hardly be influenced. It is mentioned here only for the sake of completeness.

The formula for calculating the cable resistance is as follows:

$$R_L = R_{L20} \times \left(1 + 0,0039 \frac{1}{K} \times (T - 20^\circ\text{C}) \right)$$

$$R_L = \frac{l}{\chi \times A} \times \left(1 + 0,0039 \frac{1}{K} \times (T - 20^\circ\text{C}) \right)$$

Where:

R_L	Cable resistance in Ω
R_{L20}	Cable resistance at 20°C in Ω
l	Cable length in m
χ	Specific electrical resistance of copper in $\text{m}/\Omega\text{mm}^2$
A	Cable cross section in mm^2
0.0039 1/K	Temperature coefficient for copper (percentage purity of 99.9%)
T	Ambient temperature (cable temperature) in °C

Since there are two cable resistances in the measuring system (forward and return), the value must be doubled. The absolute measuring error in Kelvin [K] is provided for platinum detectors according to DIN using the average temperature coefficient χ ($\chi = 0.385 \Omega/\text{K}$ for Pt100; $\chi = 3.85 \Omega/\text{K}$ for Pt1000) .

23 Calculation examples

23.1 Typical temperature behavior

Task setting:

Temperatures of up to +45°C are achieved in the control cabinet.

1. What typical drift values of the measuring inputs are to be expected for temperature measurement with a Pt100 sensor using 4-wire technology at a measuring temperature of +180°C for this device?
2. What typical measuring tolerance is to be expected at +45°C?

Calculation:

The temperature difference is calculated using the formula (1):

$$\Delta T_A = T_S - 25^\circ\text{C} \quad (1)$$

Where:

ΔT_A Temperature difference (difference between current switch cabinet temperature and reference temperature of +25°C)

T_S Current temperature in the switch cabinet

Value for this example:

$$T_S = 45^\circ\text{C}$$

According to formula (1)

$$\begin{aligned} \Delta T_A &= T_S - 25^\circ\text{C} \\ &= 45^\circ\text{C} - 25^\circ\text{C} \\ &= 20\text{ K} \end{aligned}$$

The temperature drift of the Pt100 sensor is calculated according to formula (2):

$$T_{\text{Drift}} = \Delta T_A \times T_K \times T_M \quad (2)$$

Where:

T_{Drift} Temperature drift of the Pt100 measuring input

ΔT_A Temperature difference; from formula (1)

T_K Temperature coefficient

T_M Measuring temperature

Values for this example:

$$\Delta T_A = 20\text{ K}$$

$$T_K = \pm 3\text{ ppm/K (typical drift)}$$

$$T_M = 850^\circ\text{C}$$

According to formula (2)

$$\begin{aligned} T_{\text{Drift}} &= \Delta T_A \times T_K \times T_M \\ &= 20\text{ K} \times \pm 3\text{ ppm/K} \times 850^\circ\text{C} \\ &= 20 \times \pm 3 \times 10^{-6} \times 850^\circ\text{C} \\ T_{\text{Drift}} &= \pm 0.05\text{ K} \end{aligned}$$

Solution:

Under these marginal conditions, a typical temperature drift of $\pm 0.05\text{ K}$ is to be expected.

Calculation of the typical measuring tolerance:

The measuring tolerance is calculated using the formula (3):

$$\Delta T_{\text{Tot}} = \Delta T_{25} + T_{\text{Drift}} \quad (3)$$

Where:

ΔT_{Tot} Total tolerance

ΔT_{25} Typical tolerance at 25°C

T_{Drift} Drift at 45°C; from formula (2)

Values for this example:

$$\Delta T_{25} = \pm 0.23\text{ K}$$

$$T_{\text{Drift}} = \pm 0.05\text{ K}$$

According to formula (3)

$$\begin{aligned} \Delta T_{\text{Tot}} &= \Delta T_{25} + T_{\text{Drift}} \\ &= \pm 0.05\text{ K} + \pm 0.05\text{ K} \\ \Delta T_{\text{Tot}} &= \pm 0.10\text{ K} \end{aligned}$$

23.2 Maximum temperature behavior (worst case)

According to formula (3)

Task setting:

Temperatures of up to +40°C are achieved in the control cabinet.

What typical drift values of the measuring inputs are to be expected for temperature measurement with a Pt100 sensor using 4-wire technology at a measuring temperature of +200°C for this device?

Calculation:

The measuring tolerance is calculated using the formula (3):

$$\Delta T_{\text{Tot}} = \Delta T_{25} + T_{\text{Drift}} \quad (3)$$

Values for this example:

$$\Delta T_{25} = \pm 0.25 \text{ K}$$

$$T_{\text{Drift}} \quad \text{Must be calculated}$$

To calculate the drift, proceed as described in the example for the typical temperature response.

The temperature difference is calculated using the formula (1):

$$\Delta T_A = T_S - 25^\circ\text{C} \quad (1)$$

Value for this example:

$$T_S = 40^\circ\text{C}$$

According to formula (1)

$$\begin{aligned} \Delta T_A &= T_S - 25^\circ\text{C} \\ &= 40^\circ\text{C} - 25^\circ\text{C} \\ &= 15 \text{ K} \end{aligned}$$

The maximum temperature drift of the Pt100 sensor is calculated according to formula (2):

$$T_{\text{Drift}} = \Delta T_A \times T_K \times T_M \quad (2)$$

Values for this example:

$$\Delta T_A = 15 \text{ K}$$

$$T_K = \pm 18 \text{ ppm/K (maximum drift)}$$

$$T_M = 200^\circ\text{C}$$

According to formula (2)

$$\begin{aligned} T_{\text{Drift}} &= \Delta T_A \times T_K \times T_M \\ &= 15 \text{ K} \times \pm 18 \text{ ppm/K} \times 850^\circ\text{C} \\ &= 15 \times \pm 18 \times 10^{-6} \times 850^\circ\text{C} \\ T_{\text{Drift}} &= \pm 0.23 \text{ K} \end{aligned}$$

$$\begin{aligned} \Delta T_{\text{Tot}} &= \Delta T_{25} + T_{\text{Drift}} \\ &= \pm 0.25 \text{ K} + \pm 0.23 \text{ K} \\ \Delta T_{\text{Tot}} &= \pm 0.48 \text{ K} \end{aligned}$$

Solution:

With an ambient temperature of +40°C, a maximum worst case measuring tolerance of ±0,48 K is to be expected.



SCATTERGOOD & JOHNSON LTD

ELECTRICAL ENGINEERING & FLUID CONTROL DISTRIBUTORS

Est.1899

At Scattergood & Johnson Ltd, we pride ourselves on being a technical distributor to specialist industries.

Working with a range of quality product suppliers across a number of specialist markets, we are not your average 'box shifter' - we are your technical and supply chain partner.

We fully support every product we sell - for free! Our internal team and external sales engineers can answer any product or application question, no matter the complexity.

Backing up this technical ability is a range of 50,000+ products available from stock for nationwide next day delivery (same day if required!), or you can collect what you need from any of our trade counters around the UK.

Select your specialist interest below to learn more about how we can help.



Online, In Branch and On the Road - Scattergood & Johnson Ltd, there when you need us.

www.scatts.co.uk