

# AXL F DI16/1 1H

**Axioline F, digital input module,  
digital inputs: 16, 24 V DC,  
connection method: 1-wire**

Data sheet  
8184\_en\_02

© PHOENIX CONTACT 2019-03-12



## 1 Description

The module is designed for use within an Axioline F station. It is used to acquire digital signals.

You can adjust the filter times of the inputs to increase noise immunity.

Filter times of 100 µs enable you to implement a counter function with a maximum input frequency of 5 kHz in the application.

**Valid as of hardware revision 02, firmware revision 1.00.**



The deviating behavior of the modules with an earlier hardware revision is documented in the corresponding points.

### Features

- 16 digital inputs according to EN 61131-2 type 1 and type 3
- 24 V DC, 2.4 mA
- Connection of sensors in single-wire technology
- Minimum update time of < 100 µs
- Filter times can be adjusted in three increments: < 100 µs, 1000 µs or 3000 µs
- Maximum input frequency: 5 kHz
- Device rating plate stored



This data sheet is only valid in association with the UM EN AXL F SYS INST user manual.



Make sure you always use the latest documentation.

It can be downloaded at: [phoenixcontact.net/product/2688310](https://phoenixcontact.net/product/2688310)

---

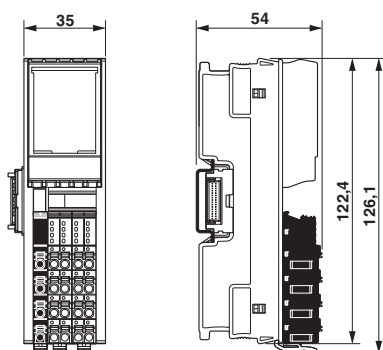
<b>2</b>	<b>Table of contents</b>	
1	Description .....	1
2	Table of contents .....	2
3	Ordering data .....	3
4	Technical data .....	4
5	Internal circuit diagram .....	7
6	Terminal point assignment.....	7
7	Connection example.....	7
8	Local diagnostic and status indicators .....	8
9	Process data.....	9
10	Parameter, diagnostics and information (PDI) .....	9
11	Standard objects .....	10
	11.1 Objects for identification (device rating plate).....	10
	11.2 Miscellaneous standard objects .....	11
	11.3 Diagnostics objects .....	12
	11.4 Objects for process data management.....	13
12	Application objects .....	13
13	Device descriptions .....	13

### 3 Ordering data

Description	Type	Order No.	Pcs./Pkt.
Axioline F, Digital input module, Digital inputs: 16, 24 V DC, connection method: 1-wire, transmission speed in the local bus: 100 Mbps, degree of protection: IP20, including bus base module and Axioline F connectors	AXL F DI16/1 1H	2688310	1
Accessories	Type	Order No.	Pcs./Pkt.
Axioline F bus base module for housing type H (Replacement item)	AXL F BS H	2700992	5
Zack marker strip for Axioline F (device labeling), in 2 x 20.3 mm pitch, unprinted, 25-section, for individual labeling with B-STIFT 0.8, X-PEN, or CMS-P1-PLOTTER (Marking)	ZB 20,3 AXL UNPRINTED	0829579	25
Zack marker strip, flat, in 10 mm pitch, unprinted, 10-section, for individual labeling with M-PEN 0,8, X-PEN, or CMS-P1-PLOTTER (Marking)	ZBF 10/5,8 AXL UNPRINTED	0829580	50
Insert label, Roll, white, unlabeled, can be labeled with: THERMOMARK ROLLMASTER 300/600, THERMOMARK X1.2, THERMOMARK ROLL X1, THERMOMARK ROLL 2.0, THERMOMARK ROLL, mounting type: snapped into marker carrier, lettering field size: 35 x 28 mm (Marking)	EMT (35X28)R	0801602	1
Documentation	Type	Order No.	Pcs./Pkt.
User manual, English, Axioline F: System and installation	UM EN AXL F SYS INST	-	-
User manual, English, Axioline F: Diagnostic registers, and error messages	UM EN AXL F SYS DIAG	-	-

## 4 Technical data

### Dimensions (nominal sizes in mm)



Width	35 mm
Height	126.1 mm
Depth	54 mm
Note on dimensions	The depth is valid when a TH 35-7,5 DIN rail is used (according to EN 60715).

### General data

Color	traffic grey A RAL 7042
Weight	133 g (with connectors and bus base module)
Ambient temperature (operation)	-25 °C ... 60 °C
Ambient temperature (storage/transport)	-40 °C ... 85 °C
Permissible humidity (operation)	5 % ... 95 % (non-condensing)
Permissible humidity (storage/transport)	5 % ... 95 % (non-condensing)
Air pressure (operation)	70 kPa ... 106 kPa (up to 3000 m above sea level)
Air pressure (storage/transport)	70 kPa ... 106 kPa (up to 3000 m above sea level)
Degree of protection	IP20
Protection class	III, IEC 61140, EN 61140, VDE 0140-1
Mounting position	any (no temperature derating)

### Connection data: Axioline F connector

Connection method	Push-in connection
Conductor cross section solid / stranded	0.2 mm <sup>2</sup> ... 1.5 mm <sup>2</sup> / 0.2 mm <sup>2</sup> ... 1.5 mm <sup>2</sup>
Conductor cross section [AWG]	24 ... 16
Stripping length	8 mm



Please observe the information provided on conductor cross sections in the "Axioline F: system and installation" user manual.

**Interface: Axioline F local bus**

Number	2
Connection method	Bus base module
Transmission speed	100 Mbps

**Axioline F local bus supply ( $U_{Bus}$ )**

Supply voltage	5 V DC (via bus base module)
Current draw	max. 120 mA (up to HW 01) max. 60 mA (as of HW 02)
Power consumption	max. 600 mW (up to HW 01) max. 300 mW (as of HW 02)

**Supply for digital input modules ( $U_I$ )**

Supply voltage	24 V DC
Supply voltage range	19.2 V DC ... 30 V DC (including all tolerances, including ripple)
Current draw	max. 20 mA
Power consumption	typ. 380 mW max. 480 mW
Surge protection of the supply voltage	electronic (35 V, 0.5 s)
Polarity reversal protection of the supply voltage	parallel diode; with external 5 A fuse (only for commissioning)
Protection	max. 8 A (polarity reversal protection up to 5 A)

**NOTE: Damage to the electronics**

Provide external protection for the module to protect it against polarity reversal. If you are using an external fuse, the power supply unit must be able to supply four times the nominal current of the fuse. This ensures that it trips in the event of an error.



When using the module for the first time, protect it with a 5 A fuse. When all modules in the system are correctly connected, the 5 A fuse can be replaced with an 8 A fuse. After that, you can load the module up to 8 A.

**Digital inputs**

Number of inputs	16
Connection method	Push-in connection
Connection technology	1-wire
Description of the input	EN 61131-2 types 1 and 3
Nominal input voltage	24 V DC
Nominal input current	2.4 mA
Current flow	linear until nominal current is reached, then constantly approx. 2.4 mA
Input voltage range "0" signal	-3 V DC ... 5 V DC
Input voltage range "1" signal	11 V DC ... 30 V DC
Input filter time	3000 $\mu$ s (default), 1000 $\mu$ s, < 100 $\mu$ s
Process data update	< 100 $\mu$ s
Polarity reversal protection of the inputs	parallel diode (30 V, 5 s)

**Input and output address area**

Input address area	2 Byte
Output address area	0 Byte

**Configuration and parameter data in a PROFIBUS system**

Required parameter data	3 Byte
Required configuration data	6 Byte

**Electrical isolation/isolation of the voltage areas**

Test section	Test voltage
5 V communications power (logic), 24 V supply (I/O)	500 V AC, 50 Hz, 1 min.
5 V supply (logic)/functional earth ground	500 V AC, 50 Hz, 1 min.
24 V supply (I/O) / functional earth ground	500 V AC, 50 Hz, 1 min.

**Mechanical tests**

Vibration resistance in acc. with EN 60068-2-6/ IEC 60068-2-6	5g
Shock in acc. with EN 60068-2-27/IEC 60068-2-27	30g
Continuous shock according to EN 60068-2-27/ IEC 60068-2-27	10g

**Conformance with EMC Directive 2014/30/EU****Noise immunity test in accordance with EN 61000-6-2**

Electrostatic discharge (ESD) EN 61000-4-2/ IEC 61000-4-2	Criterion B, 6 kV contact discharge, 8 kV air discharge
Electromagnetic fields EN 61000-4-3/IEC 61000-4-3	Criterion A, Field intensity: 10 V/m
Fast transients (burst) EN 61000-4-4/IEC 61000-4-4	Criterion B, 2 kV
Transient overvoltage (surge) EN 61000-4-5/ IEC 61000-4-5	Criterion B, DC supply lines: $\pm 0.5$ kV/ $\pm 0.5$ kV (symmetrical/ asymmetrical)
Conducted interference EN 61000-4-6/IEC 61000-4-6	Criterion A; Test voltage 10 V

**Noise emission test according to EN 61000-6-3** Class B

**Approvals**

For the latest approvals, please visit [phoenixcontact.net/products](http://phoenixcontact.net/products).

### 5 Internal circuit diagram

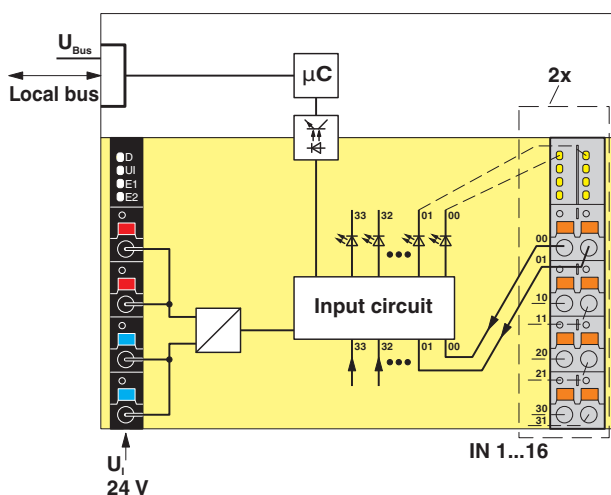


Figure 1 Internal wiring of the terminal points

Key:

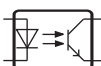
Local bus      Axioline F local bus  
 (hereinafter referred to as local bus)



Microcontroller



Transistor



Optocoupler



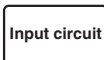
LED



Power supply unit



Electrically isolated areas



Input circuit

### 6 Terminal point assignment

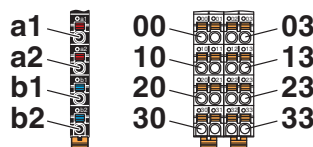


Figure 2 Terminal point assignment

Terminal point	Color	Assignment	
<b>Supply voltage input</b>			
a1, a2	Red	24 V DC (U <sub>I</sub> )	Supply for digital input modules (bridged internally)
b1, b2	Blue	GND	Reference potential of the supply voltage (bridged internally)
<b>Digital inputs</b>			
00 ... 03	Orange	IN01 ... IN04	Digital inputs 1 ... 4
10 ... 13	Orange	IN05 ... IN08	Digital inputs 5 ... 8
20 ... 23	Orange	IN09 ... IN12	Digital inputs 9 ... 12
30 ... 33	Orange	IN13 ... IN16	Digital inputs 13 ... 16

### 7 Connection example

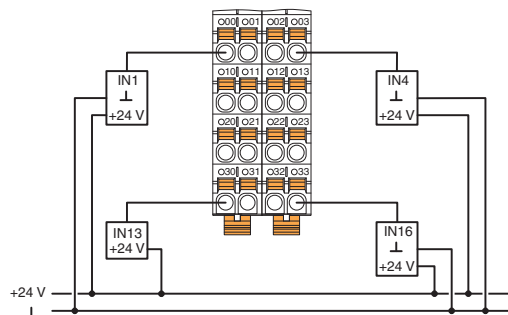


Figure 3 Example of a connection of sensors when using external busbars

Ensure that GND of the sensors and GND for U<sub>I</sub> have the same potential.

## 8 Local diagnostic and status indicators

As of hardware revision 02

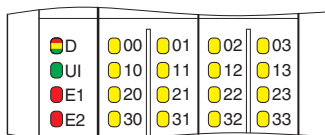


Figure 4 Local diagnostic and status indicators

Designation	Color	Meaning	State	Description
D	Red/ yellow/ green	Diagnostics of local bus communication		
		Run	Green on	The device is ready for operation, communication within the station is OK. All data is valid. An error has not occurred.
		Active	Green flashing	The device is ready for operation, communication within the station is OK. The data is <b>not</b> valid. No valid data provided by the controller/higher-level network. There is no error on the module.
		Device application not active	Flashing green/yellow	The device is ready for operation, communication within the station is OK. Output data <b>cannot</b> be outputted and/or input data <b>cannot</b> be read. There is a fault on the periphery side of the module..
		Ready	Yellow on	The device is ready for operation but did not detect a valid cycle after power-up.
		Connected	Yellow flashing	The device is not (yet) part of the active configuration.
		Reset	Red on	The device is ready for operation but has lost the connection to the bus head.
		Not connected	Flashing red	The device is ready for operation but there is no connection to the previously existing device.
		Power down	Off	Device is in (power) reset.
UI	Green	U <sub>Input</sub>	On	Supply for digital input modules (U <sub>I</sub> ) is present.
			Off	Supply for digital input modules (U <sub>I</sub> ) is not present.
E1	Red	Supply voltage error	On	Feed-in for digital input modules (U <sub>I</sub> ) is faulty.
			Off	Feed-in for digital input modules (U <sub>I</sub> ) is OK.
E2	Red	Internal device error	On	There is an internal device error.
			Off	There is no internal device error.
00 ... 03, 10 ... 13, 20 ... 23, 30 ... 33	Yellow	Status of the inputs	On	Input is set.
			Off	Input is not set.

### Deviating behavior up to hardware revision 01

The LEDs E1 and E2 are not present.

## 9 Process data

I/O data is mapped in the Motorola format.

### IN process data

Byte	0							
Bit	7	6	5	4	3	2	1	0
Signal	IN08	IN07	IN06	IN05	IN04	IN03	IN02	IN01
Terminal point	13	12	11	10	03	02	01	00

Byte	1							
Bit	7	6	5	4	3	2	1	0
Signal	IN16	IN15	IN14	IN13	IN12	IN11	IN10	IN09
Terminal point	33	32	31	30	23	22	21	20

## 10 Parameter, diagnostics and information (PDI)

Parameter and diagnostic data as well as other information is transmitted as objects via the PDI channel of the Axioline F station.

The standard and application objects stored in the module are described in the following section.

The following applies to all tables below:

Please refer to the UM EN AXL F SYS INST for an explanation of the data types.



Each visible string is terminated with a null terminator (00<sub>hex</sub>). The length of a visible-string-type element is therefore at least one byte larger than the number of user data items.

If the number of user data items plus null terminator is smaller than the specified length of the element, the visible string will be populated with a null character (00<sub>hex</sub>).

## 11 Standard objects

### 11.1 Objects for identification (device rating plate)

Index (hex)	Object name	Data type	A	L	Rights	Meaning	Contents
<b>Manufacturer</b>							
0001	VendorName	Visible String	1	32	R	Vendor name	Phoenix Contact
0002	VendorID	Visible String	1	7	R	Vendor ID	00A045
0003	VendorText	Visible String	1	58	R	Vendor text	Components and systems for industrial automation
0012	VendorURL	Visible String	1	58	R	Vendor URL	www.phoenixcontact.com
<b>Module - general</b>							
0004	DeviceFamily	Visible String	1	16	R	Device family	I/O digital IN
0006	ProductFamily	Visible String	1	32	R	Product family	AXL F
000E	CommProfile	Visible String	1	4	R	Communication profile	633
000F	DeviceProfile	Visible String	1	5	R	Device profile	0010
0011	ProfileVersion	Record of Visible Strings	2	11; 21	R	Profile version	2011-12-07; Basic - Profile V2.0
0017	Language	Record of Visible Strings	2	6; 8	R	Language	en-us; English
003A	VersionCount	Array of UINT16	4	4 * 2	R	Version counter	e.g., 0007 0001 0001 0001 <sub>hex</sub>
<b>Module - special</b>							
0005	Capabilities	Visible String	1	8	R	Capabilities	Nothing
0007	ProductName	Visible String	1	32	R	Product name	AXL F DI16/1 1H
0008	SerialNo	Visible String	1	22	R	Serial number	e. g., 1234512345
0009	ProductText	Visible String	1	58	R	Product text	16 digital inputs, adjustable filter
000A	OrderNumber	Visible String	1	32	R	Order No.	2688310
000B	HardwareVersion	Record of Visible Strings	2	11; 11	R	Hardware version	e. g., 2011-02-04; 00
000C	FirmwareVersion	Record of Visible Strings	2	11; 11	R	Firmware version	e.g., 2017-12-31; 1.00
000D	PChVersion	Record of Visible Strings	2	11; 6	R	PDI version	e. g., 2010-06-21; V1.00
0037	DeviceType	Octet string	1	8	R	Device type	00 80 00 02 00 00 00 00 D6 <sub>hex</sub>
<b>Use of the device</b>							
0014	Location	Visible String	1	59	R/W	Location	Can be completed by the user.
0015	EquipmentIdent	Visible String	1	59	R/W	Equipment identifier	Can be completed by the user.
0016	ApplDeviceAddr	UINT16	1	2	R/W	Application device address	Can be completed by the user.

## Deviating behavior up to hardware revision 01

Index (hex)	Object name	Data type	A	L	Rights	Meaning	Contents
<b>Manufacturer</b>							
0001	VendorName	Visible String	1	16	R	Vendor name	Phoenix Contact
0003	VendorText	Visible String	1	49	R	Vendor text	Components and systems for industrial automation
0012	VendorURL	Visible String	1	30	R	Vendor URL	http://www.phoenixcontact.com
<b>Module - general</b>							
0006	ProductFamily	Visible String	1	33	R	Product family	Axioline - High speed I/O system
0011	ProfileVersion	Record of Visible Strings	2	11; 20	R	Profile version	2011-12-07; Basis - Profil V2.0
003A	VersionCount	UINT16	4	4 * 2	R	Version counter	0006 0001 0000 0000 <sub>hex</sub>
<b>Module - special</b>							
0007	ProductName	Visible String	1	16	R	Product name	AXL F DI16/1 1H
0008	SerialNo	Visible String	1	11	R	Serial number	e. g., 1234512345
0009	ProductText	Visible String	1	37	R	Product text	16 digital inputs, adjustable filter
000A	OrderNumber	Visible String	1	8	R	Order No.	2688310
000B	HardwareVersion	Record of Visible Strings	2	11; 3	R	Hardware version	e. g., 2011-02-04; 00
000C	FirmwareVersion	Record of Visible Strings	2	11; 3	R	Firmware version	0000-00-00; --

## 11.2 Miscellaneous standard objects

Index (hex)	Object name	Data type	A	L	Rights	Meaning/contents
<b>Diagnostics objects</b>						
0018	DiagState	Record	6	58	R	Diagnostic state *
<b>Objects for process data management</b>						
0025	PDIN	Octet string	1	4	R	Input process data *
003B	PDIN_Descr	Array of Records	3	8; 2; 2	R	Description of the IN process data
003C	PDOOUT_Descr	Array of Records	3	8; 2; 2	R	Description of the output process data

The objects marked in the last column with an \* are described in more detail in the next sections.

The description of the other objects is to be found in the user manual UM EN AXL F SYS INST.

The objects 003B<sub>hex</sub> and 003C<sub>hex</sub> are only applicable to tools.

### 11.3 Diagnostics objects

#### Diagnostics state (0018<sub>hex</sub>: DiagState)

This object is used for a structured message of an error.

#### As of hardware revision 02

0018 <sub>hex</sub> : Diagnostics state (read)					
Subindex	Data type	Length in bytes	Meaning	Contents	
0	Record	58	Diagnostic state	Complete diagnostics information	
1	UINT16	2	Error number	0 ... 65535 <sub>dec</sub>	
2	UINT8	1	Priority	00 <sub>hex</sub>	No error
				01 <sub>hex</sub>	Error
				02 <sub>hex</sub>	Warning
				81 <sub>hex</sub>	Error removed
				82 <sub>hex</sub>	Warning eliminated
3	UINT8	1	Channel/group/module	00 <sub>hex</sub>	No error
				FF <sub>hex</sub>	entire device
4	UINT16	2	Error code	See table below	
5	UINT8	1	More follows	00 <sub>hex</sub>	
6	Visible String	51	Text	See table below	



The message with priority 81<sub>hex</sub> or 82<sub>hex</sub> is a one-off, internal message to the bus coupler. The bus coupler transfers this error message to the error mechanisms of the higher-level system.



After all errors have been eliminated, it is automatically reset.

Error and status of the local diagnostics and status indicators

Subindex	2	3	4	6	LED			
Error	Pri- ority	Chan- nel/ group/ module	Error code	Text	D	UI	E1	E2
	hex	hex	hex					
No error	00	00	0000	Status OK	●	●	○	○
I/O supply failure	01	FF	3412	Missing I/O supply UI, terminal point a1/a2, b1/b2	⚡	○	●	○

- Off
- On
- Green on
- ⚡ Flashing green/yellow

#### Deviating behavior up to hardware revision 01

The LEDs E1 and E2 are not present.

The error codes are identical to those in hardware revision 02.

Error text is not specified.

## 11.4 Objects for process data management

### IN process data (0025<sub>hex</sub>: PDIN)

You can read the IN process data of the module with this object.

The structure corresponds to the representation in the "Process data" section.

0025 <sub>hex</sub> : IN process data (read)			
Subindex	Data type	Length in bytes	Meaning
0	Octet string	2	Input process data

## 12 Application objects

In the case of valid parameters, the parameterization is stored in the module permanently.

Index (hex)	Object name	Data type	A	L	Rights	Assignment
FF8F	Input_Filter	UINT8	1	1	R/W	Filter time

### Filter time (FF8F<sub>hex</sub>: Input\_Filter)

You parameterize the filter time of the module with this object.

FF8F <sub>hex</sub> : Input_Filter (read, write)				
Subindex	Data type	Length in bytes	Contents	
0	Var	1	00 <sub>hex</sub> (Default)	3000 μs
			01 <sub>hex</sub>	1000 μs
			02 <sub>hex</sub>	< 100 μs

## 13 Device descriptions

The device is described in the device description files.

The device descriptions for controllers from Phoenix Contact are included in PC Worx and the corresponding service packs.

The device description files for other systems are available for download at [phoenixcontact.net/products](http://phoenixcontact.net/products) in the download area of the bus coupler used.



# SCATTERGOOD & JOHNSON LTD

ELECTRICAL ENGINEERING & FLUID CONTROL DISTRIBUTORS

Est.1899

At Scattergood & Johnson Ltd, we pride ourselves on being a technical distributor to specialist industries.

Working with a range of quality product suppliers across a number of specialist markets, we are not your average 'box shifter' - we are your technical and supply chain partner.

We fully support every product we sell - for free! Our internal team and external sales engineers can answer any product or application question, no matter the complexity.

Backing up this technical ability is a range of 50,000+ products available from stock for nationwide next day delivery (same day if required!), or you can collect what you need from any of our trade counters around the UK.

Select your specialist interest below to learn more about how we can help.



Online, In Branch and On the Road - Scattergood & Johnson Ltd, there when you need us.

# [www.scatts.co.uk](http://www.scatts.co.uk)