

# AXL E IOL RTD1 M12 R

## Axioline E IO-Link/analog converter for connecting an RTD, rectangular version

Data sheet  
8590\_en\_09

© PHOENIX CONTACT 2019-09-24



### 1 Description

The IO-Link/analog converter is an IO-Link device that converts analog signals into the IO-Link protocol.

It therefore offers the option of acquiring the signals of analog sensors via an IO-Link master.

#### IO-Link features

- Connection to an IO-Link master with M12 connector (A-coded, 4-pin)
- IO-Link A port
- IO-Link specification V1.1.1

#### Features

- Rectangular version
- 1 IO-Link interface
- 1 analog input for connecting resistance temperature detectors (RTDs)
- Connection of the actuator in 3-wire technology via an M12 connector (A-coded, 5-pin)
- FE connection for local connection to functional earth ground
- Supply of the module electronics and the sensor via the IO-Link interface of the IO-Link master
- Local status indicator
- Degree of protection IP65/6



This data sheet is only valid in association with the corresponding user manual.  
Make sure you always use the latest documentation.  
It can be downloaded from the product at [phoenixcontact.net/products](https://phoenixcontact.net/products).

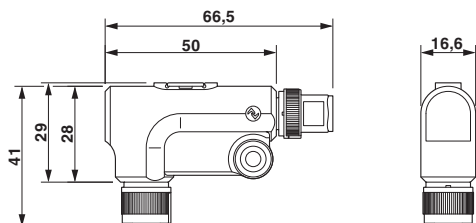
<b>2</b>	<b>Table of contents</b>	
1	Description .....	1
2	Table of contents .....	2
3	Ordering data .....	3
4	Technical data .....	3
5	Additional tables .....	5
6	Internal circuit diagram .....	6
7	Pin assignment .....	7
	7.1 Connections on the device .....	7
	7.2 Pin assignment of the IO-Link interface .....	7
	7.3 Pin assignment of the analog input .....	7
8	Connection notes .....	7
9	Connection example.....	7
10	Assembly.....	8
11	Local status indicator.....	8
12	Process data.....	9
	12.1 IN process data .....	9
	12.2 OUT process data.....	10
	12.3 Parameterization via OUT process data .....	10
	12.4 Example .....	10
13	Significant values in various formats.....	11
	13.1 IB IL format .....	11
	13.2 Format S7 compatible.....	11
14	IO-Link objects .....	12
	14.1 Overview of the objects .....	12
	14.2 Parameterization (80 <sub>hex</sub> : ParaWord) .....	13

### 3 Ordering data

Description	Type	Order No.	Pcs./Pkt.
Axioline E-IO-Link/analog converter for connecting a temperature measurement resistor, M12 fast connection technology, angled version	AXL E IOL RTD1 M12 R	2700305	1

### 4 Technical data

#### Dimensions (nominal sizes in mm)



Width	16.6 mm
Height	42 mm
Depth	66.5 mm

#### General data

Weight	34 g
Ambient temperature (operation)	-25 °C ... 60 °C
Ambient temperature (storage/transport)	-25 °C ... 85 °C
Permissible humidity (operation)	5 % ... 95 %
Permissible humidity (storage/transport)	5 % ... 95 %
Air pressure (operation)	70 kPa ... 106 kPa (up to 3000 m above sea level)
Air pressure (storage/transport)	70 kPa ... 106 kPa (up to 3000 m above sea level)
Degree of protection	IP65/67
Protection class	III, IEC 61140, EN 61140, VDE 0140-1
Degree of pollution	2

#### IO-Link

Specification	V1.1.1
Reverse polarity protection	Yes
Transmission speed	230,4 kBit/s (COM3)
Frame type	1
Cycle Time	min. 2 ms
Process data update	2 ms
Amount of process data	16 Bit (Input data), 16 Bit (Output data)

**IO-Link ports**

Number of ports	1
Connection method	M12 connector, A-coded

**IO-Link port supply**

Nominal voltage for I/O supply	24 V DC (This supply voltage is provided via the IO-Link interface of the IO-Link master.)
Current consumption	typ. 16.5 mA $\pm$ 15 % (at 24 V DC), max. 25 mA
Reverse polarity protection	yes
Short-circuit protection	yes
Overload protection	yes

**Analog RTD input**

Number of inputs	1 (for resistance temperature detectors)
Connection method	M12 connector, A-coded
Connection method	3-wire (optionally 4-wire)
Sensor types (RTD) that can be used	Pt 100, Pt 1000
Linear resistance measuring range	0 $\Omega$ ... 500 $\Omega$ (IB IL format), 0 $\Omega$ ... 5 k $\Omega$ (IB IL format), 0 $\Omega$ ... 600 $\Omega$ (Format S7 compatible), 0 $\Omega$ ... 6 k $\Omega$ (Format S7 compatible)
Resolution A/D	12 bit
Data formats	IB IL, S7-compatible
Relative accuracy	< 0.3 % (Of the measuring range final value in the nominal range)
Permissible cable length	max. 30 m (Shielded cable)
Reverse polarity protection	yes
Short-circuit protection	yes
Overload protection	yes

**Error messages to the higher level control or computer system**

Overrange or underrange	Message in the diagnostic code (in the IB IL format)
Measured value invalid/no valid measured value present	Message in the diagnostic code (in the IB IL format)
Configuration invalid	Message in the diagnostic code (in the IB IL format)
Module faulty	Message in the diagnostic code (in the IB IL format)

**Mechanical tests**

Vibration resistance in acc. with EN 60068-2-6/IEC 60068-2-6	Operation: 2g
Vibration resistance in acc. with EN 60068-2-6/IEC 60068-2-6	Storage/transport: 5g
Shock in acc. with EN 60068-2-27/IEC 60068-2-27	Operation: 30g, 11 ms, three shocks in each space direction
Shock in acc. with EN 60068-2-27/IEC 60068-2-27	Storage/transport: 50g, 11 ms, three shocks in each space direction
Continuous shock in acc. with EN 60068-2-27/IEC 60068-2-27	10g, 16 ms, 1000 shocks, in all space directions

**Approvals**

For the latest approvals, please visit [phoenixcontact.net/products](http://phoenixcontact.net/products).

**5 Additional tables**

The data is valid for nominal operation (supply voltage = 24 V) in the default configuration.

**Tolerance and temperature response at  $T_A = -25^\circ\text{C}$  to  $+60^\circ\text{C}$** 

Sensor type	Measuring range		Drift	
	Lower limit	Upper limit	Typical	Maximum
Pt 100 DIN	-200 °C	+850 °C	±5 ppm/K	±95 ppm/K
Pt 1000 SAMA	-200 °C	+850 °C	±20 ppm/K	±95 ppm/K
Linear resistance $R_{Lin}$ 600 Ω (linear range 1)	0 Ω	500 Ω	±5 ppm/K	±95 ppm/K
Linear resistance $R_{Lin}$ 6000 Ω (linear range 2)	0 Ω	5000 Ω	±34 ppm/K	±95 ppm/K

The tolerance values refer to the measuring range final value.

**Tolerances influenced by electromagnetic interference**

Type of electromagnetic interference	Standard	Tolerance	Criterion
Electromagnetic fields	EN 61000-4-3/IEC 61000-4-3	< ±1.5 %	A
Fast transients (burst)	EN 61000-4-4/IEC 61000-4-4	< ±0.5%	A
Conducted interference	EN 61000-4-6/IEC 61000-4-6	< ±1.0 %	A

## 6 Internal circuit diagram

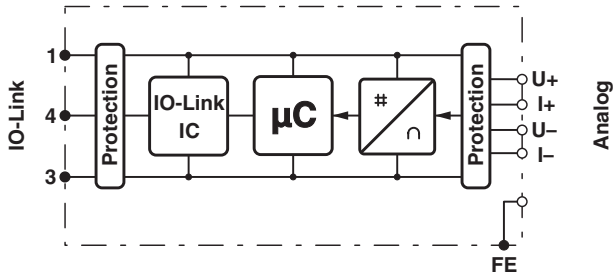
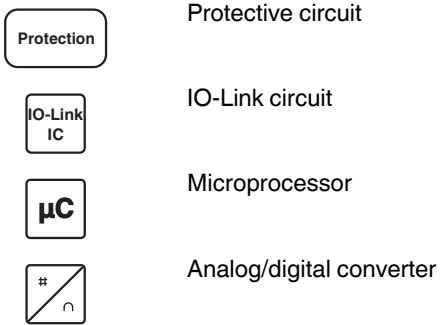


Figure 1 Internal wiring of connections

Key:



## 7 Pin assignment

### 7.1 Connections on the device

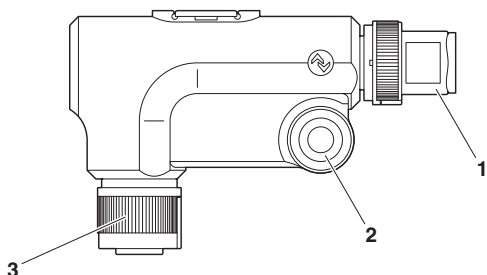


Figure 2 Connections on the converter

No.	Connection
1	IO-Link interface (indicated by IO-Link symbol)
2	Fixing options; options for connection to functional earth ground
3	Analog input

### 7.2 Pin assignment of the IO-Link interface

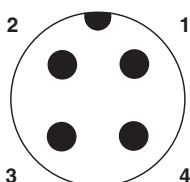


Figure 3 Pin assignment of the I/O link interface (M12 A-coded, pin)

Pin	Signal	Meaning
1	L+	+24 V supply voltage; from IO-Link master
2	-	Not used
3	L-	GND, reference potential for L+
4	C/Q	IO-Link data transmission channel

### 7.3 Pin assignment of the analog input

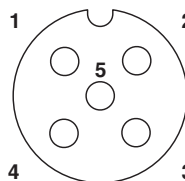


Figure 4 Pin assignment of the analog input (M12 A-coded, socket)

Pin	Assignment
1	U+ RTD sensor +
2	I+ Constant current supply +
3	U- RTD sensor -
4	I- Constant current supply -
5	Not used

## 8 Connection notes

Always connect the analog sensors using shielded, twisted pair cables.

## 9 Connection example

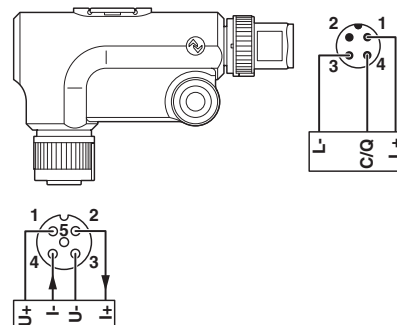


Figure 5 Connection example

## 10 Assembly

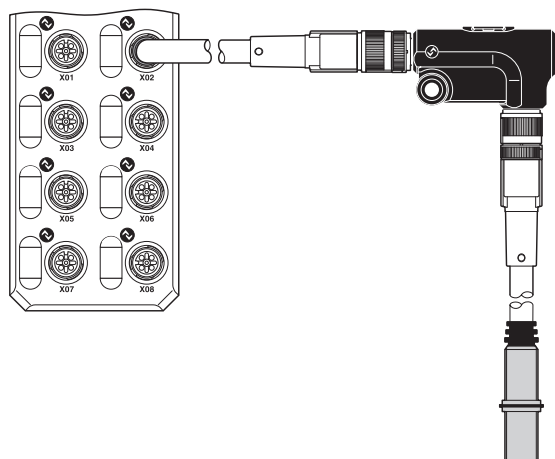


Figure 6 Connection of a sensor to an IO-Link master via the converter

- Connect the IO-Link interface of the converter to an IO-Link port of the higher-level IO-Link master using a standardized 3-pos. cable.
- Connect the analog sensor directly to the analog converter input or using a shielded 4-pos. cable.
- Fasten each connection using the M12 connectors.



In environments with high levels of interference, in particular, Phoenix Contact recommends connecting the converter to an appropriate functional earth ground point using an M4 screw.

## 11 Local status indicator

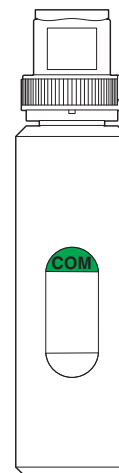


Figure 7 Local status indicator

Designation	Color	Meaning	State	Description
COM	Green	Status of IO-Link device	ON	Supply voltage OK
			Flashing	Supply voltage OK, SDCI communication active
			OFF	No supply voltage, no communication

## 12 Process data

The device occupies one word of IN process data and one word of OUT process data.

### 12.1 IN process data

The measured values are depicted in IB IL or S7-compatible format.

15	14	13	12	11	10	9	8	7	6	5	4	3	2	1	0
V	Analog value														

V Sign bit (= 0, not relevant)



For some formats, bits 2 to 0 are not relevant for the measured value. These are set to = 0.

In the event of an error, a diagnostic code is mapped to the input data:

#### IB IL format

The values  $> 8000_{\text{hex}}$  and  $< 8100_{\text{hex}}$  indicate an error.

Code (hex)	Cause
8001	Overrange (Overflow)
8002	Open circuit
8003	Short-circuit
8004	Measured value invalid or no valid measured value available
8040	Device faulty
8080	Underrange (Underflow)

#### S7-compatible format

In the S7-compatible format, there are two diagnostic codes, depicted as follows.

Code (hex)	Cause
7FFF	Overrange (Overflow)
8000	Open circuit/short circuit/underrange (Underflow)

## 12.2 OUT process data

The device can be configured via the process data output word.

The following configurations are possible:

- Selection of the sensor type
- Selection of formats for representing measured values
- Adjusting the resolution

15	14	13	12	11	10	9	8	7	6	5	4	3	2	1	0
Configuration	Reserved							Resolution		Format		Sensor type			



For the exact meaning of the individual bits, please refer to "Parameterization (80<sub>hex</sub>: ParaWord)".

## 12.3 Parameterization via OUT process data

Reparameterization can be carried out via the output process data, however this is not saved permanently on the device.



Only carry out re-parameterization when starting up the device!

The following sequence applies regardless of the format (IB IL or S7-compatible):

- The master sends parameter data (OutputProcessData with bit 15 = 1)



In order to start configuration, bit 15 of the output word must be set to 1. If bit 15 = 0, the default configuration is active.

- The device interrupts the transmission of current process data and responds with the following diagnostic code in the process data:

Code (hex)	Cause
8800	Parameter OK
8801	Parameter ERROR

- If the diagnostic code is OK, the parameter data is accepted immediately. The master can end parameterization (OutputProcessData with bit 15 = 0). The device returns to normal operation with cyclic process data transmission.
- In the event of the ERROR diagnostic code, the master can abort parameterization without modified parameter data (OutputProcessData with bit 15 = 0) or transmit the modified parameterization (return to step 1).

## 12.4 Example

The example applies for the following changes:

- Adjusting the resolution from 0.1°C to 0.1°F
- Switching the formats from S7-compatible (default) to IB IL
- Switching the sensor type from Pt 100 (default) to linear R 0 Ω ... 500 Ω

15	14	13	12	11	10	9	8	7	6	5	4	3	2	1	0	
Configuration	Reserved							Resolution		Format		Sensor type				
1	Reserved							1	0	1	0	1	1	1	1	0

## 13 Significant values in various formats

### 13.1 IB IL format

Input data		R 0 $\Omega$ ... 500 $\Omega$	R 0 $\Omega$ ... 5 k $\Omega$	Temperature sensors	
Resolution		0.1 $\Omega$	1 $\Omega$	0.1°C *	0.1°F *
hex	dec	$\Omega$	$\Omega$	°C	°F
8001	-32767 Overrange	> 525	> 5250	> 850.0	> 1562.0
3D04	15620	-	-	-	1562.0
2134	8500	-	-	850	850
1482	5250	525	5250	525	525
03E8	1000	100	1000	100	100
0032	50	5	50	5	5
0005	5	0.5	5	0.5	0.5
0001	1	0.1	1	-	-
0000	0	0	0	0	0
FC18	-1000	-	-	-100	-100
F830	-2000	-	-	-200	-200
F330	-3280	-	-	-	-328
8080	-32640 Underrange	-	-	< -200.0	< -328.0
8003	-32765 Short-circuit	No (0 $\Omega$ )	No (0 $\Omega$ )	Yes	Yes
8002	-32766 Open circuit	Yes	Yes	Yes	Yes

### 13.2 Format S7 compatible

Input data		R 0 $\Omega$ ... 600 $\Omega$	R 0 $\Omega$ ... 6 k $\Omega$	Temperature sensors	
Resolution		0,17 $\Omega$	1,7 $\Omega$	0.1°C	0.1°F
hex	dec	$\Omega$	$\Omega$	°C	°F
7FFF	Ovrange	> 705,4	> 7054	-	-
7EF8	32504	705,4	7054	-	-
3D04	15620	339	3390	-	1562
2134	8500	184,5	1845	850	850
03E8	1000	21,7	217	100	100
0032	50	1.1	11	50	50
0008	8	0.17	1.7	-	-
0005	5	-	-	0.5	0.5
0000	0	0	0	0	0
FC18	-1000	-	-	0.5	0.5
F830	-2000	-	-	-200	-200
F330	-3280	-	-	-	< -328.0
8000	-32768 (Underrange; Open circuit; Short-circuit)	-	-	< -200.0	< -328.0
	Short-circuit	No (0 $\Omega$ )	No (0 $\Omega$ )	Yes	Yes
	Open circuit	Yes	Yes	Yes	Yes



The format is represented in 0.1°C/F. The actual resolution is 0.5°C/F. Measurement is therefore always in increments of 0.5°C/F.

## 14 IO-Link objects

### 14.1 Overview of the objects

Index (hex)		Index (dec)		Object name	Length in bytes	Access	Meaning	Contents
DPP	ISDU	DPP	ISDU					
<b>Identification</b>								
0007		7		Vendor ID	2	R	Vendor ID	00 <sub>hex</sub>
0008		8						B0 <sub>hex</sub>
0009		9		Device ID	3	R	Device ID	01 <sub>hex</sub>
000A		10						00 <sub>hex</sub>
000B		11						50 <sub>hex</sub>
	0010		16	VendorName	64	R	Vendor name	Phoenix Contact
	0011		17	VendorText	64	R	Notes	phoenixcontact.com
	0012		18	ProductName	64	R	Product name	AXL E IOL RTD1 M12 R
	0013		19	Product ID	64	R	Order No.	2700305
	0014		20	ProductText	64	R	Product text	IO-Link/analog converter temperature RTD input rectangular
	0015		21	SerialNumber	16	R	Serial number	Stored in the production process.
	0016		22	HardwareVersion	64	R	Hardware version	E.g., 01
	0017		23	FirmwareVersion	64	R	Firmware version	E.g., 001
<b>Diagnostics</b>								
	0020		32	ErrorCount	2	R	Errors since power up	Number of errors
	0028		40	InputProcessData	2	R	Input process data	Last current data
<b>Parameter</b>								
	0080		128	ParaWord	2	R/W	Parameterization	0000 <sub>hex</sub>

Abbreviation	Meaning
R	Read
W	Write

## 14.2 Parameterization (80<sub>hex</sub>: ParaWord)

Parameterize the device using this object.

In the case of valid parameters, the parameterization is permanently stored on the device.

After a reset, the device operates with the last permanently stored data. Upon delivery, the device operates with the default data (default settings).



Saving data to the device leads to a communication failure of around 30 ms.

15	14	13	12	11	10	9	8	7	6	5	4	3	2	1	0
Reserved								Resolution for sensor type	Format	Sensor type					

In the following tables the values in **bold** are default settings.

Sensor type	
Code (bin)	Meaning
<b>0000</b>	<b>Pt 100 DIN</b>
0001	Pt 1000 SAMA
1110	IB IL format: Linear R 0 Ω ... 500 Ω S7-compatible format: Linear R 0 Ω ... 600 Ω
1111	IB IL format: Linear R 0 Ω ... 5 kΩ S7-compatible format: Linear R 0 Ω ... 6 kΩ
Other	Reserved

Format	
Code (bin)	Meaning
<b>00</b>	<b>S7-compatible</b>
10	IB IL
Other	Reserved

Resolution for sensor type			
Code (bin)	Temperature sensors	Linear R 0 Ω ... 500 Ω / 600 Ω	Linear R 0 Ω ... 5 kΩ / 6 kΩ
<b>00</b>	<b>0.1°C (0.5°C increments)</b>	<b>IB IL format: 0.1 Ω</b> <b>S7-compatible format: 0.17 Ω</b>	<b>IB IL format: 1.0 Ω</b> <b>S7-compatible format: 1.7 Ω</b>
10	0.1°F (0.5°F increments)	Reserved	Reserved
Other	Reserved		



# SCATTERGOOD & JOHNSON LTD

ELECTRICAL ENGINEERING & FLUID CONTROL DISTRIBUTORS

Est.1899

At Scattergood & Johnson Ltd, we pride ourselves on being a technical distributor to specialist industries.

Working with a range of quality product suppliers across a number of specialist markets, we are not your average 'box shifter' - we are your technical and supply chain partner.

We fully support every product we sell - for free! Our internal team and external sales engineers can answer any product or application question, no matter the complexity.

Backing up this technical ability is a range of 50,000+ products available from stock for nationwide next day delivery (same day if required!), or you can collect what you need from any of our trade counters around the UK.

Select your specialist interest below to learn more about how we can help.



Online, In Branch and On the Road - Scattergood & Johnson Ltd, there when you need us.

# [www.scatts.co.uk](http://www.scatts.co.uk)