

Distributed I/O device - AXL E IOL RTD1 M12 S - 2700352

Please be informed that the data shown in this PDF Document is generated from our Online Catalog. Please find the complete data in the user's documentation. Our General Terms of Use for Downloads are valid (<http://phoenixcontact.com/download>)




Axioline E-IO-Link/analog converter for connecting a temperature measurement resistor, M12 fast connection technology, straight version

Your advantages

- Straight version
- 1 IO-Link interface
- 1 analog input for connecting resistance temperature detectors (RTDs)
- Connection of the sensor in 3-wire technology
- IO-Link and sensor connections via M12 connectors
- FE connection for local connection to functional earth ground
- Supply of the module electronics and the sensor via the IO-Link interface of the IO-Link master
- Diagnostic indicator
-



Key Commercial Data

| | |
|--------------------------------------|---|
| Packing unit | 1 pc |
| GTIN |  4 046356 782661 |
| GTIN | 4046356782661 |
| Weight per Piece (excluding packing) | 34.000 g |
| Custom tariff number | 85176200 |
| Country of origin | Germany |

Technical data

Note

| | |
|-------------------------|---|
| Utilization restriction | EMC: class A product, see manufacturer's declaration in the download area |
|-------------------------|---|

Dimensions

| | |
|-------|---------|
| Width | 16.6 mm |
|-------|---------|

Distributed I/O device - AXL E IOL RTD1 M12 S - 2700352

Technical data

Dimensions

| | |
|--------|---------|
| Height | 29 mm |
| Depth | 79.5 mm |

Ambient conditions

| | |
|--|---|
| Ambient temperature (operation) | -25 °C ... 60 °C |
| Ambient temperature (storage/transport) | -25 °C ... 85 °C |
| Permissible humidity (operation) | 5 % ... 95 % |
| Permissible humidity (storage/transport) | 5 % ... 95 % |
| Air pressure (operation) | 70 kPa ... 106 kPa (up to 3000 m above sea level) |
| Air pressure (storage/transport) | 70 kPa ... 106 kPa (up to 3000 m above sea level) |
| Degree of protection | IP65/IP67 |

General

| | |
|----------------------|---|
| Net weight | 34 g |
| Degree of pollution | 2 |
| Diagnostics messages | Overrange or underrange Message in the diagnostic code (in the IB IL format) |
| | Measured value invalid/no valid measured value present Message in the diagnostic code (in the IB IL format) |
| | Configuration invalid Message in the diagnostic code (in the IB IL format) |
| | Module faulty Message in the diagnostic code (in the IB IL format) |

Standards and Regulations

| | |
|------------------|---|
| Mechanical tests | Vibration resistance in acc. with EN 60068-2-6/IEC 60068-2-6 Operation: 2g |
| | Vibration resistance in acc. with EN 60068-2-6/IEC 60068-2-6 Storage/ transport: 5g |
| | Shock in acc. with EN 60068-2-27/IEC 60068-2-27 Operation: 30g, 11 ms, three shocks in each space direction |
| | Shock in acc. with EN 60068-2-27/IEC 60068-2-27 Storage/ transport: 50g, 11 ms, three shocks in each space direction |
| | Continuous shock according to EN 60068-2-27/IEC 60068-2-27 10g, 16 ms, 1000 shocks, in all space directions |
| Protection class | III (IEC 61140, EN 61140, VDE 0140-1) |

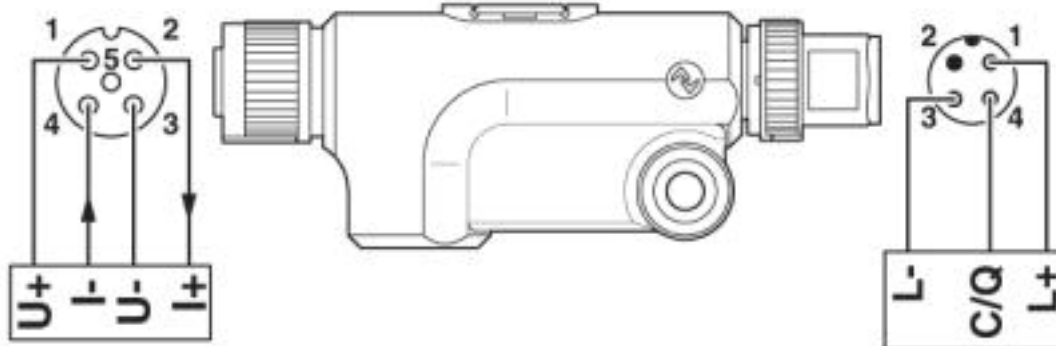
Environmental Product Compliance

| | |
|------------|----------------|
| REACH SVHC | Lead 7439-92-1 |
|------------|----------------|

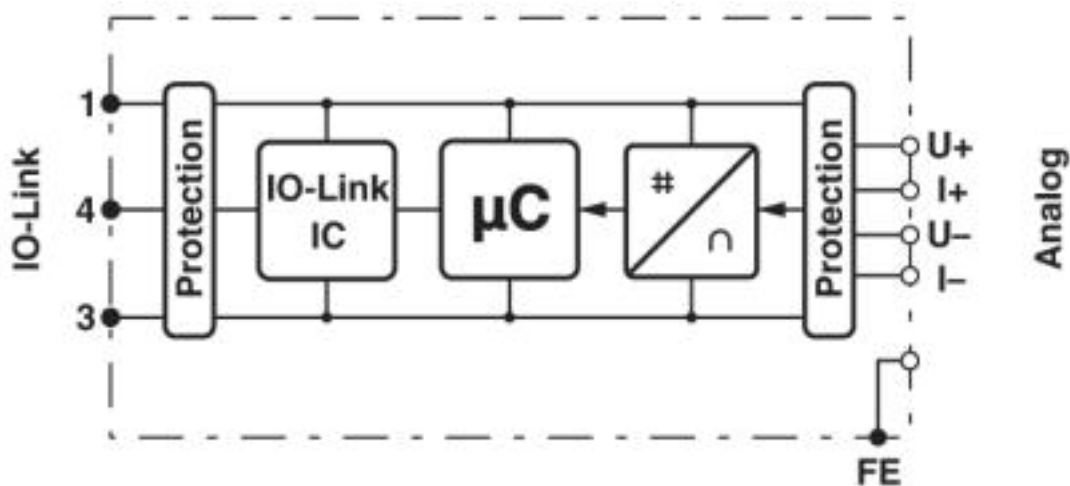
Drawings

Distributed I/O device - AXL E IOL RTD1 M12 S - 2700352

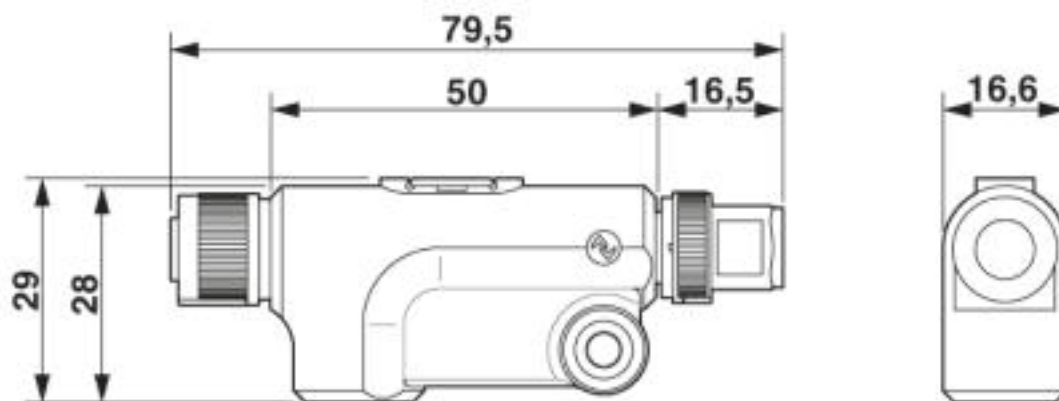
Connection diagram



Block diagram



Dimensional drawing



Classifications

eCl@ss

| | |
|------------|----------|
| eCl@ss 4.0 | 27250200 |
|------------|----------|

Distributed I/O device - AXL E IOL RTD1 M12 S - 2700352

Classifications

eCl@ss

| | |
|------------|----------|
| eCl@ss 4.1 | 27250200 |
| eCl@ss 5.0 | 27250200 |
| eCl@ss 5.1 | 27242600 |
| eCl@ss 6.0 | 27242600 |
| eCl@ss 7.0 | 27242601 |
| eCl@ss 8.0 | 27242601 |
| eCl@ss 9.0 | 27242601 |

ETIM

| | |
|----------|----------|
| ETIM 3.0 | EC000313 |
| ETIM 4.0 | EC001596 |
| ETIM 5.0 | EC001596 |
| ETIM 6.0 | EC001596 |
| ETIM 7.0 | EC001596 |

UNSPSC

| | |
|---------------|----------|
| UNSPSC 6.01 | 43172015 |
| UNSPSC 7.0901 | 43201404 |
| UNSPSC 11 | 43172015 |
| UNSPSC 12.01 | 55101516 |
| UNSPSC 13.2 | 32151602 |

Approvals


Approvals

Approvals

UL Listed / cUL Listed / cULus Listed

Ex Approvals

Approval details

| | | | |
|-----------|---|---|---------------|
| UL Listed |  | http://database.ul.com/cgi-bin/XYV/template/LISEXT/1FRAME/index.htm | FILE E 140324 |
|-----------|---|---|---------------|

| | | | |
|------------|---|---|---------------|
| cUL Listed |  | http://database.ul.com/cgi-bin/XYV/template/LISEXT/1FRAME/index.htm | FILE E 140324 |
|------------|---|---|---------------|

<https://www.phoenixcontact.com/gb/products/2700352>



Distributed I/O device - AXL E IOL RTD1 M12 S - 2700352

Approvals

cULus Listed



Phoenix Contact 2019 © - all rights reserved
<http://www.phoenixcontact.com>



SCATTERGOOD & JOHNSON LTD

ELECTRICAL ENGINEERING & FLUID CONTROL DISTRIBUTORS

Est.1899

At Scattergood & Johnson Ltd, we pride ourselves on being a technical distributor to specialist industries.

Working with a range of quality product suppliers across a number of specialist markets, we are not your average 'box shifter' - we are your technical and supply chain partner.

We fully support every product we sell - for free! Our internal team and external sales engineers can answer any product or application question, no matter the complexity.

Backing up this technical ability is a range of 50,000+ products available from stock for nationwide next day delivery (same day if required!), or you can collect what you need from any of our trade counters around the UK.

Select your specialist interest below to learn more about how we can help.



Online, In Branch and On the Road - Scattergood & Johnson Ltd, there when you need us.

www.scatts.co.uk