

Inline terminal - IB IL 24/48 DOR 2/W-PAC - 2863119

Please be informed that the data shown in this PDF Document is generated from our Online Catalog. Please find the complete data in the user's documentation. Our General Terms of Use for Downloads are valid (<http://phoenixcontact.com/download>)



Inline, Relay terminal, Relay outputs: 2 (floating contacts), 24 V AC / 48 V DC, 2 A, for switching ohmic loads, transmission speed in the local bus: 500 kbps, degree of protection: IP20, including Inline connector and labeling field

Product Description


The terminal is designed for use within an Inline station. It has two floating SPDT relay contacts, which are independent of one another.

Your advantages

- 2 relays
- Floating connections for 2 actuators
- Nominal current per output: 2 A
- Total current of the terminal: 4 A
- Diagnostic and status indicators



Key Commercial Data

Packing unit	1 pc
GTIN	 4 017918 939229
GTIN	4017918939229
Weight per Piece (excluding packing)	63.000 g
Custom tariff number	85389091
Country of origin	Germany

Technical data

Dimensions

Width	12.2 mm
Height	119.8 mm
Depth	71.5 mm
Note on dimensions	Housing dimensions

Ambient conditions

Inline terminal - IB IL 24/48 DOR 2/W-PAC - 2863119

Technical data

Ambient conditions

Ambient temperature (operation)	-25 °C ... 55 °C
Ambient temperature (storage/transport)	-25 °C ... 85 °C
Permissible humidity (operation)	10 % ... 95 % (according to DIN EN 61131-2)
Permissible humidity (storage/transport)	10 % ... 95 % (according to DIN EN 61131-2)
Air pressure (operation)	70 kPa ... 106 kPa (up to 3000 m above sea level)
Air pressure (storage/transport)	70 kPa ... 106 kPa (up to 3000 m above sea level)
Degree of protection	IP20

General

Mounting type	DIN rail
Color	green
Net weight	63 g
Note on weight specifications	with connector
Operating mode	Process data mode with 2 bits

Interfaces

Designation	Inline local bus
No. of channels	2
Connection method	Inline data jumper
Transmission speed	500 kbps

Inline potentials

Designation	Communications power (U_L)
Supply voltage	7.5 V DC (via voltage jumper)
Current consumption	max. 30 mA
Power consumption	0.23 W

Digital outputs

Output name	Relay outputs
Output description	SPDT relay contact
Connection method	Spring-cage connection
Number of outputs	2 (floating contacts)
Nominal output voltage	24 V AC
	48 V DC
Maximum output current per channel	2 A
Maximum output current per module / terminal block	4 A

Relay outputs

Switching current	min. 10 μ A
	2 A (30 V DC)
	1 A (60 V DC)
Switching capacity	60 W
	62 VA (ohmic)

Inline terminal - IB IL 24/48 DOR 2/W-PAC - 2863119

Technical data

Relay outputs

Limiting continuous current	2 A (at maximum ambient temperature)
Contact type	2 floating PDT contacts
Switching voltage	min. 10 mV (DC)
	max. 30 V AC (PELV (EN 61131))
	max. 60 V DC (PELV (EN 61131))
Switching current	min. 10 μ A
	2 A (30 V DC)
	1 A (60 V DC)
Switching capacity	60 W
Mechanical service life	2x 10 ⁵ cycles

Electrical isolation

Test section	Relay contact / Bus logics 1.5 kV 50 Hz 1 min.
	Contact/contact 1 kV 50 Hz 1 min.
	Contact / PE 1 kV 50 Hz 1 min.

Standards and Regulations

Protection class	III (IEC 61140, EN 61140, VDE 0140-1)
------------------	---------------------------------------

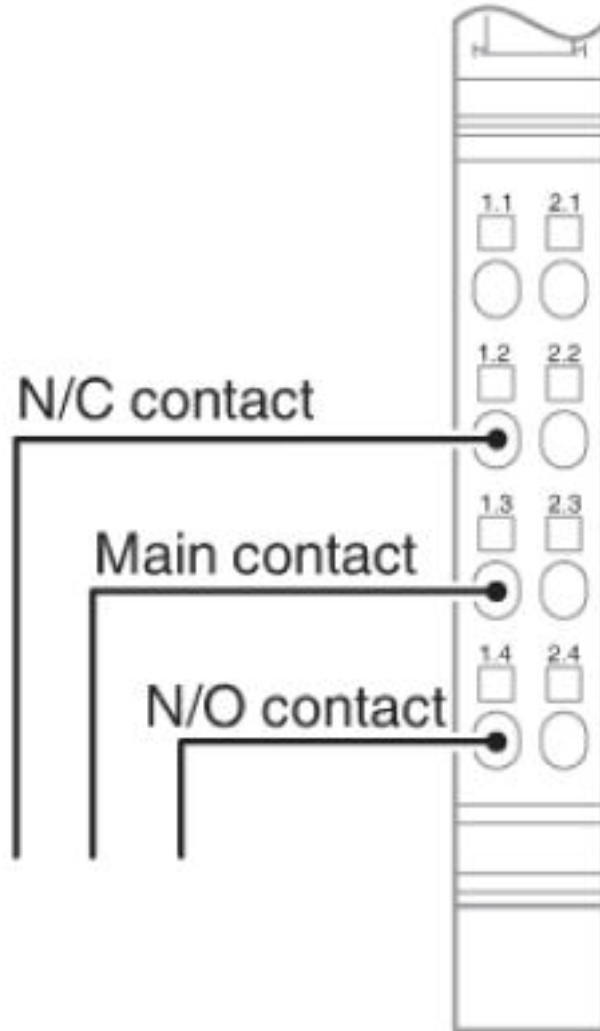
Environmental Product Compliance

China RoHS	Environmentally Friendly Use Period = 50
	For details about hazardous substances go to tab "Downloads", Category "Manufacturer's declaration"

Drawings

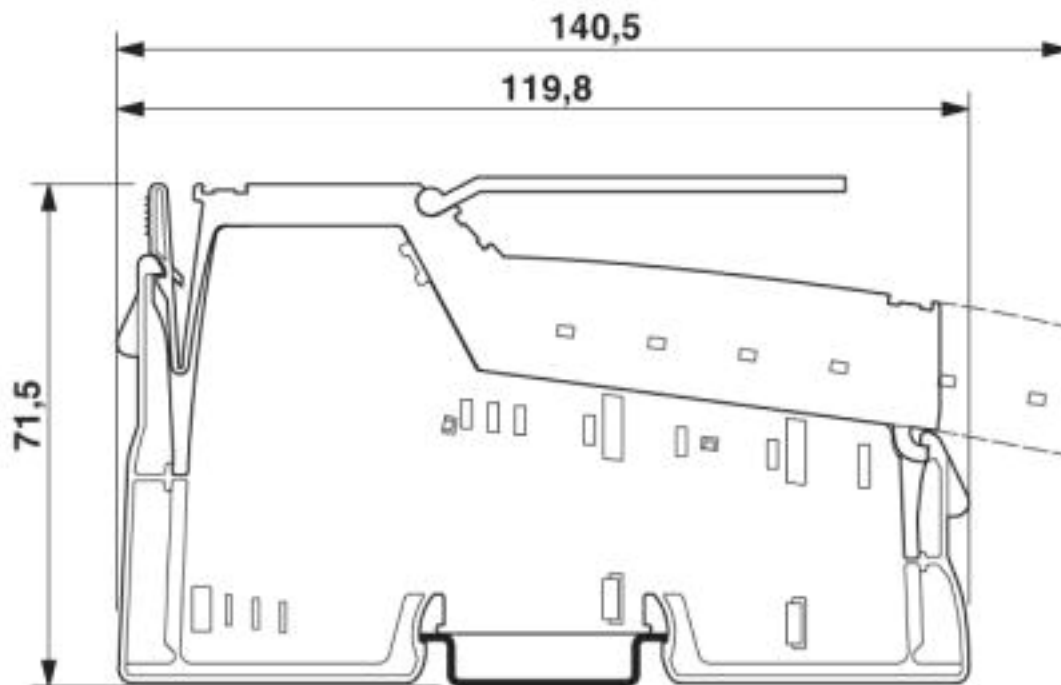
Inline terminal - IB IL 24/48 DOR 2/W-PAC - 2863119

Connection diagram



Inline terminal - IB IL 24/48 DOR 2/W-PAC - 2863119

Dimensional drawing



Classifications

eCl@ss

eCl@ss 4.0	27250300
eCl@ss 4.1	27250300
eCl@ss 5.0	27250300
eCl@ss 5.1	27242600
eCl@ss 6.0	27242600
eCl@ss 7.0	27242604
eCl@ss 8.0	27242604
eCl@ss 9.0	27242604

ETIM

ETIM 2.0	EC001430
ETIM 3.0	EC001599
ETIM 4.0	EC001599
ETIM 5.0	EC001599
ETIM 6.0	EC001599
ETIM 7.0	EC001599

UNSPSC

UNSPSC 6.01	43172015
UNSPSC 7.0901	43201404
UNSPSC 11	43172015

<https://www.phoenixcontact.com/gb/products/2863119>



Inline terminal - IB IL 24/48 DOR 2/W-PAC - 2863119

Classifications

UNSPSC

UNSPSC 12.01	43201404
UNSPSC 13.2	32151602

Approvals




Approvals

Approvals

DNV GL / BV / LR / ABS

Ex Approvals

Approval details

DNV GL		https://approvalfinder.dnvgl.com/	TAA00002CU
BV		http://www.veristar.com/portal/veristarinfo/generalinfo/approved/approvedProducts/equipmentAndMaterials	20989/B2_BV
LR		http://www.lr.org/en	08/20033
ABS		http://www.eagle.org/eagleExternalPortalWEB/	17-HG1621871-PDA

Phoenix Contact 2019 © - all rights reserved
<http://www.phoenixcontact.com>



SCATTERGOOD & JOHNSON LTD

ELECTRICAL ENGINEERING & FLUID CONTROL DISTRIBUTORS

Est.1899

At Scattergood & Johnson Ltd, we pride ourselves on being a technical distributor to specialist industries.

Working with a range of quality product suppliers across a number of specialist markets, we are not your average 'box shifter' - we are your technical and supply chain partner.

We fully support every product we sell - for free! Our internal team and external sales engineers can answer any product or application question, no matter the complexity.

Backing up this technical ability is a range of 50,000+ products available from stock for nationwide next day delivery (same day if required!), or you can collect what you need from any of our trade counters around the UK.

Select your specialist interest below to learn more about how we can help.



Online, In Branch and On the Road - Scattergood & Johnson Ltd, there when you need us.

www.scatts.co.uk