

Modular power terminal - IB IL EX-IS PWR IN-PAC - 2869910

Please be informed that the data shown in this PDF Document is generated from our Online Catalog. Please find the complete data in the user's documentation. Our General Terms of Use for Downloads are valid (<http://phoenixcontact.com/download>)




Inline power terminal for power supply to intrinsically safe I/O terminals

Your advantages

- Diagnostic LEDs (standard load, high load, overload) provide direct feedback regarding the capacity
- Electronic overload protection
- 1000 mA for logic supply circuit (UL)
- 1000 mA for I/O supply (UEX)
- The design requires a gap of 50 mm between intrinsically safe and non-intrinsically safe connections
- Electrical isolation between Inline I/O station and intrinsically safe I/O termination devices




Key Commercial Data

Packing unit	1 pc
GTIN	 4 046356 470193
GTIN	4046356470193
Weight per Piece (excluding packing)	292.000 g
Custom tariff number	85389099
Country of origin	United States

Technical data

Note

Utilization restriction	EMC: class A product, see manufacturer's declaration in the download area
-------------------------	---

Dimensions

Width	48.8 mm
Height	119.9 mm
Depth	70.4 mm

Ambient conditions

Modular power terminal - IB IL EX-IS PWR IN-PAC - 2869910

Technical data

Ambient conditions

Ambient temperature (operation)	-25 °C ... 60 °C
Ambient temperature (storage/transport)	-25 °C ... 70 °C
Permissible humidity (operation)	10 % ... 95 % (according to DIN EN 61131-2)
Degree of protection	IP20
	IP20

General

Mounting type	DIN rail
Color	blue
Net weight	292 g

Interfaces

Designation	Inline local bus
Connection method	Inline data jumper
Transmission speed	500 kbps

Inline potentials

Supply voltage	24 V DC (via Inline connector)
Supply voltage range	19.2 V DC ... 30 V DC (including all tolerances, including ripple)
Current consumption	max. 2 A
	max. 1.5 A
Designation	Communications power (U _L)
Supply voltage	5 V DC (via voltage jumper)
Power supply unit	1 A (max.)
Supply voltage	28 V DC ±5 %
Power supply unit	max. 1 A
Power consumption	max. 8 W

Standards and Regulations

ATEX	# II 3G Ex ec IIC T4 Gc Sira 10ATEX2130X
IECEX	Ex ec IIC T4 Gc IECEX SIR 10.0085X
UL, USA/Canada	Class I, Div. 2, Groups A, B, C, D, T4
Protection class	III (VDE 0106, IEC 60536)

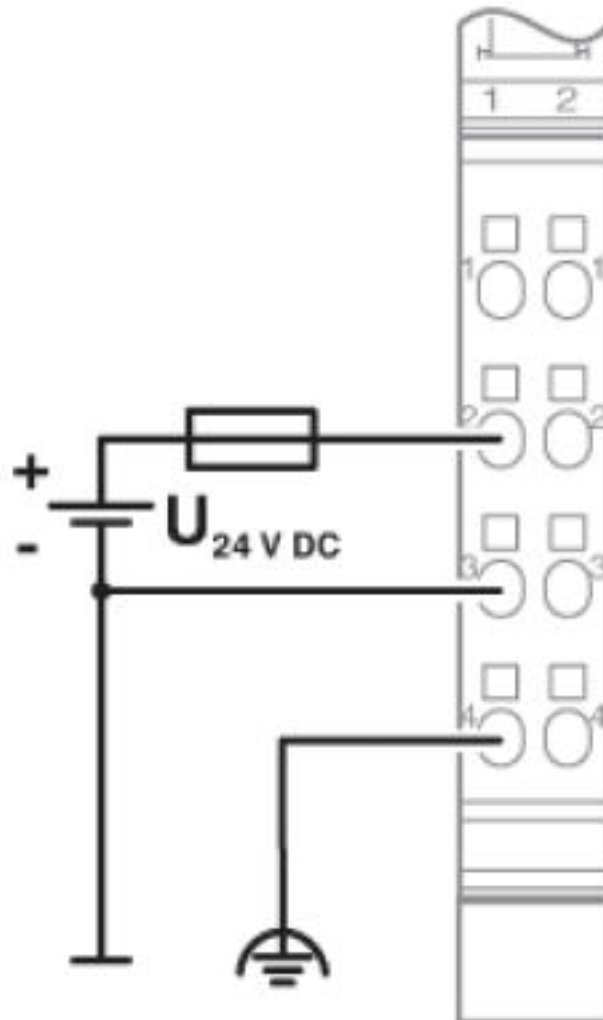
Environmental Product Compliance

China RoHS	Environmentally friendly use period: unlimited = EFUP-e
	No hazardous substances above threshold values

Drawings

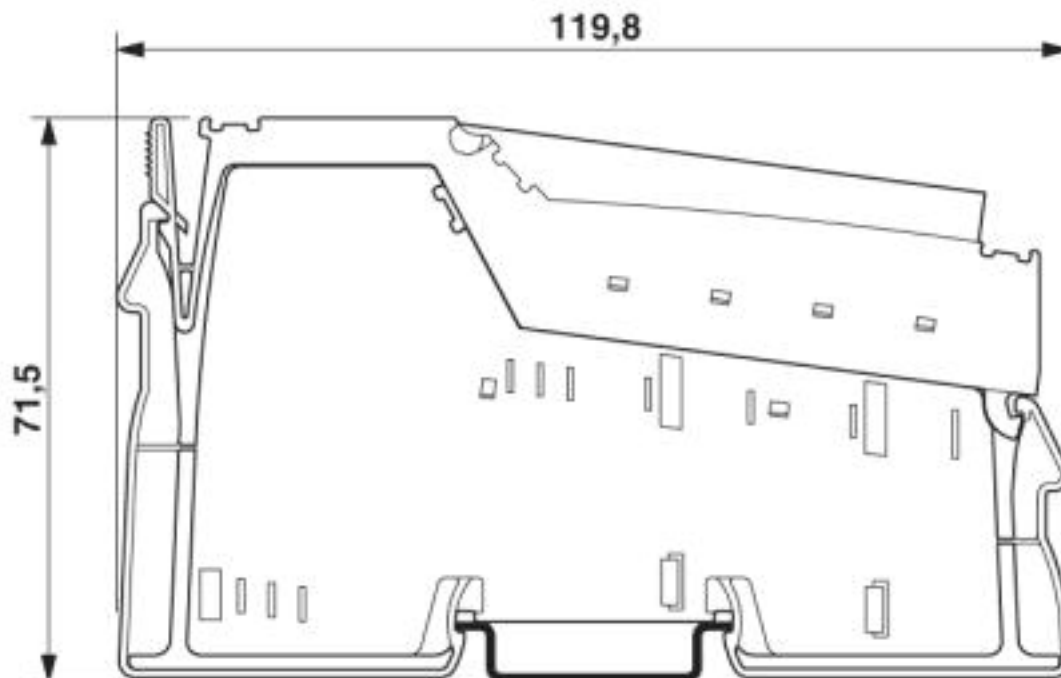
Modular power terminal - IB IL EX-IS PWR IN-PAC - 2869910

Connection diagram



Modular power terminal - IB IL EX-IS PWR IN-PAC - 2869910

Dimensional drawing



Classifications

eCl@ss

eCl@ss 4.0	27240400
eCl@ss 4.1	27240400
eCl@ss 5.0	27242200
eCl@ss 5.1	27242600
eCl@ss 6.0	27242600
eCl@ss 7.0	27242610
eCl@ss 8.0	27242610
eCl@ss 9.0	27242610

ETIM

ETIM 3.0	EC001600
ETIM 4.0	EC001600
ETIM 5.0	EC001600
ETIM 6.0	EC001600
ETIM 7.0	EC001600

UNSPSC

UNSPSC 6.01	43172015
UNSPSC 7.0901	43201404
UNSPSC 11	43172015
UNSPSC 12.01	43201404

<https://www.phoenixcontact.com/gb/products/2869910>



Modular power terminal - IB IL EX-IS PWR IN-PAC - 2869910

Classifications

UNSPSC

UNSPSC 13.2	32151602
-------------	----------

Phoenix Contact 2019 © - all rights reserved
<http://www.phoenixcontact.com>



SCATTERGOOD & JOHNSON LTD

ELECTRICAL ENGINEERING & FLUID CONTROL DISTRIBUTORS

Est.1899

At Scattergood & Johnson Ltd, we pride ourselves on being a technical distributor to specialist industries.

Working with a range of quality product suppliers across a number of specialist markets, we are not your average 'box shifter' - we are your technical and supply chain partner.

We fully support every product we sell - for free! Our internal team and external sales engineers can answer any product or application question, no matter the complexity.

Backing up this technical ability is a range of 50,000+ products available from stock for nationwide next day delivery (same day if required!), or you can collect what you need from any of our trade counters around the UK.

Select your specialist interest below to learn more about how we can help.



Online, In Branch and On the Road - Scattergood & Johnson Ltd, there when you need us.

www.scatts.co.uk