

Limit value switches - MCR-SWS-I - 2766478

Please be informed that the data shown in this PDF Document is generated from our Online Catalog. Please find the complete data in the user's documentation. Our General Terms of Use for Downloads are valid (<http://phoenixcontact.com/download>)



MCR threshold value switches, with adjustable hysteresis and relay/transistor output, input signal 0(4)..20 mA


The figure shows version MCR-SWS-U

Your advantages

- Adjustable hysteresis
- Monitoring of three signal states
- Limit value indication
- Relay/transistor output
- 0 ... 10 V or 0 ... 20 mA input



Key Commercial Data

| | |
|--------------------------------------|---|
| Packing unit | 1 pc |
| GTIN |  4 017918 066727 |
| GTIN | 4017918066727 |
| Weight per Piece (excluding packing) | 145.300 g |
| Custom tariff number | 85437090 |
| Country of origin | Germany |

Technical data

Note

| | |
|-------------------------|---|
| Utilization restriction | EMC: class A product, see manufacturer's declaration in the download area |
|-------------------------|---|

Dimensions

Limit value switches - MCR-SWS-I - 2766478

Technical data

Dimensions

| | |
|--------|----------|
| Width | 17.5 mm |
| Height | 99 mm |
| Depth | 114.5 mm |

Ambient conditions

| | |
|---------------------------------|------------------|
| Ambient temperature (operation) | -20 °C ... 65 °C |
|---------------------------------|------------------|

Input data

| | |
|--|---|
| Description of the input | Current input |
| Current input signal | 0 mA ... 20 mA |
| | 4 mA ... 20 mA |
| Max. input current | 22 mA |
| Input resistance current input | $\leq 120 \Omega$ |
| Min setting range of the current threshold value | 0 A ... 20 mA |
| Setting range of the hysteresis | 0.2 mA ... 20 mA (setting accuracy: $\pm 60 \mu\text{A}$) |
| Internal hysteresis | $\pm 60 \mu\text{A}$ (around the lower/upper switching point) |
| Setting option | Setting potentiometer, scaled 270° potentiometer |

Switching output

| | |
|---------------------------|------------------------------------|
| Output name | Transistor output, pnp |
| Number of outputs | 3 |
| Output voltage range | 20 V DC ... 30 V DC |
| Continuous load current | 100 mA |
| Output name | Relay output |
| Contact type | 1 PDT |
| Contact material | AgNi 0,15 + HTV (hard gold-plated) |
| Maximum switching voltage | 250 V AC (30 V DC) |
| Max. switching current | 2 A |
| Mechanical service life | 10^7 cycles |
| Status display | LED |

Power supply

| | |
|--------------------------|---------------------|
| Supply voltage range | 20 V DC ... 30 V DC |
| Max. current consumption | typ. 60 mA |

General

| | |
|---------------------------------|-------------------|
| No. of channels | 1 |
| Maximum temperature coefficient | $\leq 0.02 \%/K$ |
| Step response (10-90%) | $< 25 \text{ ms}$ |
| Color | green |

Limit value switches - MCR-SWS-I - 2766478

Technical data

General

| | |
|-------------------|-----------------------------|
| Housing material | Polyamide PA non-reinforced |
| Mounting position | any |
| Conformance | CE-compliant |
| UL, USA/Canada | UL 508 Recognized |

Standards and Regulations

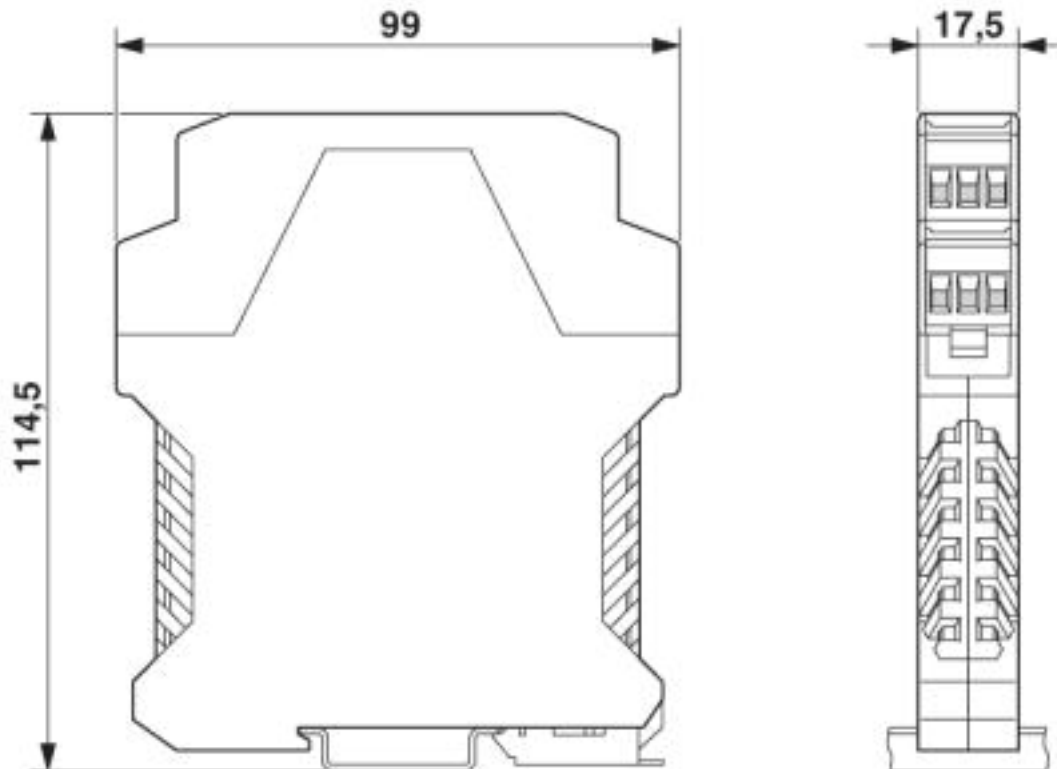
| | |
|----------------------------------|-------------------|
| Connection in acc. with standard | CUL |
| Conformance | CE-compliant |
| UL, USA/Canada | UL 508 Recognized |

Environmental Product Compliance

| | |
|------------|---|
| China RoHS | Environmentally Friendly Use Period = 50 |
| | For details about hazardous substances go to tab "Downloads", Category "Manufacturer's declaration" |

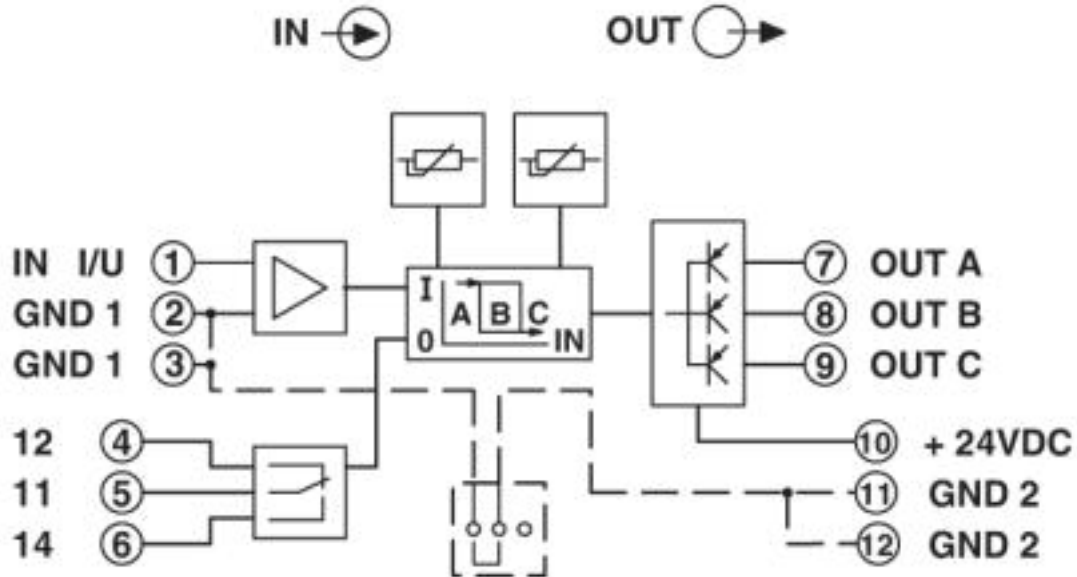
Drawings

Dimensional drawing



Limit value switches - MCR-SWS-I - 2766478

Circuit diagram



Classifications

eCl@ss

| | |
|------------|----------|
| eCl@ss 4.0 | 27200303 |
| eCl@ss 4.1 | 27200303 |
| eCl@ss 5.0 | 27200303 |
| eCl@ss 5.1 | 27200303 |
| eCl@ss 6.0 | 27200303 |
| eCl@ss 7.0 | 27210122 |
| eCl@ss 8.0 | 27210122 |
| eCl@ss 9.0 | 27210122 |

ETIM

| | |
|----------|----------|
| ETIM 2.0 | EC001440 |
| ETIM 3.0 | EC001440 |
| ETIM 4.0 | EC001440 |
| ETIM 5.0 | EC002654 |
| ETIM 6.0 | EC002654 |

UNSPSC

| | |
|---------------|----------|
| UNSPSC 6.01 | 30211506 |
| UNSPSC 7.0901 | 39121008 |
| UNSPSC 11 | 39121008 |

<https://www.phoenixcontact.com/us/products/2766478>



Limit value switches - MCR-SWS-I - 2766478

Classifications

UNSPSC

| | |
|--------------|----------|
| UNSPSC 12.01 | 39121008 |
| UNSPSC 13.2 | 39121008 |

Phoenix Contact 2019 © - all rights reserved
<http://www.phoenixcontact.com>



SCATTERGOOD & JOHNSON LTD

ELECTRICAL ENGINEERING & FLUID CONTROL DISTRIBUTORS

Est.1899

At Scattergood & Johnson Ltd, we pride ourselves on being a technical distributor to specialist industries.

Working with a range of quality product suppliers across a number of specialist markets, we are not your average 'box shifter' - we are your technical and supply chain partner.

We fully support every product we sell - for free! Our internal team and external sales engineers can answer any product or application question, no matter the complexity.

Backing up this technical ability is a range of 50,000+ products available from stock for nationwide next day delivery (same day if required!), or you can collect what you need from any of our trade counters around the UK.

Select your specialist interest below to learn more about how we can help.



Online, In Branch and On the Road - Scattergood & Johnson Ltd, there when you need us.

www.scatts.co.uk