

## Thermocouple measuring transducer - MCR-TE-J-K-I - 2810544

Please be informed that the data shown in this PDF Document is generated from our Online Catalog. Please find the complete data in the user's documentation. Our General Terms of Use for Downloads are valid (<http://phoenixcontact.com/download>)




MCR temperature measuring transducer, for thermocouples type J, K input: 0 - 400°C, 0 - 800°C, 0 - 1000°C, 0 - 1200°C, output signal 0(4)...20 mA

The figure shows version MCR-TE-JK-U-E



### Key Commercial Data

Packing unit	1 pc
GTIN	 4 017918 125356
GTIN	4017918125356
Weight per Piece (excluding packing)	130.700 g
Custom tariff number	85437090
Country of origin	Germany

### Technical data

#### Note

Utilization restriction	EMC: class A product, see manufacturer's declaration in the download area
-------------------------	---

#### Dimensions

Width	17.5 mm
Height	99 mm
Depth	114.5 mm

#### Ambient conditions

Ambient temperature (operation)	-20 °C ... 65 °C
---------------------------------	------------------

#### Input data

# Thermocouple measuring transducer - MCR-TE-J-K-I - 2810544

## Technical data

### Input data

Configurable/programmable	Yes
Sensor types that can be used (TC)	J, K
Temperature measuring range	0 °C ... 400 °C
	0 °C ... 800 °C
	0 °C ... 1000 °C
	0 °C ... 1200 °C

### Output data

Output name	Current output
Configurable/programmable	Yes
Current output signal	0 mA ... 20 mA
	4 mA ... 20 mA
Max. output current	30 mA
Output current with wire break	> 22 mA
Load/output load current output	≤ 500 Ω

### Power supply

Supply voltage range	18 V DC ... 30 V DC
Max. current consumption	50 mA

### General

Maximum transmission error	≤ 1.2 % (of end value, for type K)
	< 2 % (of end value, for type J, 0 °C ... 400°C and 0 °C ... 800°C)
	< 2.5 % (of end value, for type J, 0 °C ... 1000°C and 0 °C ... 1200°C)
Maximum temperature coefficient	< 0.02 %/K
Cold point error, max.	± 4 K
Typical cold point errors	± 2.5 K
Limit frequency (3 dB)	30 Hz
Alignment zero	± 60 K
Alignment span	± 5 % (of final value)
Step response (10-90%)	approx. 11 ms
Test voltage input/output	1.5 kV (50 Hz, 1 min.)
Test voltage input/power supply	1.5 kV (50 Hz, 1 min.)
Color	green
Housing material	Polyamide PA non-reinforced
Mounting position	any
Conformance	CE-compliant
UL, USA/Canada	cULus

# Thermocouple measuring transducer - MCR-TE-J-K-I - 2810544

## Technical data

### Standards and Regulations

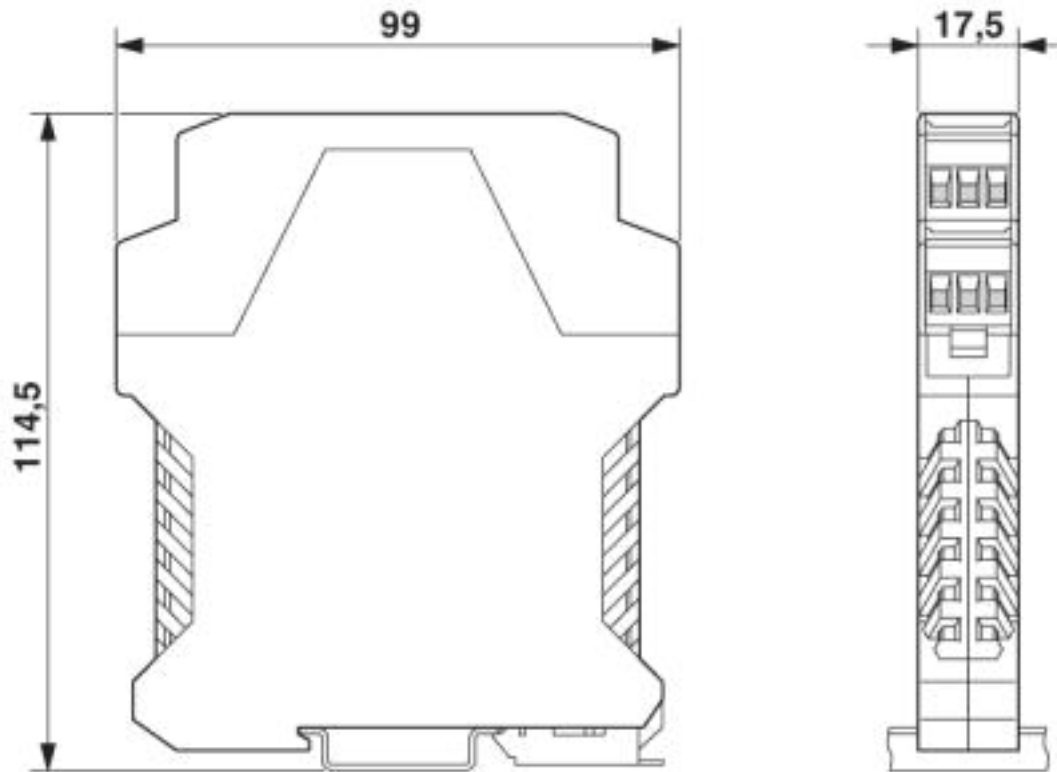
Conformance	CE-compliant
UL, USA/Canada	cULus

### Environmental Product Compliance

China RoHS	Environmentally Friendly Use Period = 50
	For details about hazardous substances go to tab "Downloads", Category "Manufacturer's declaration"

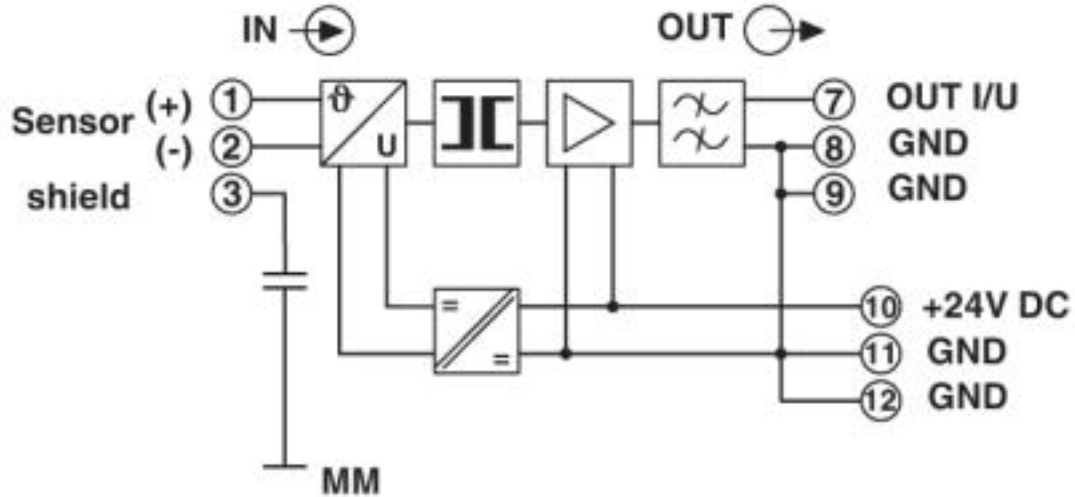
## Drawings

Dimensional drawing



# Thermocouple measuring transducer - MCR-TE-J-K-I - 2810544

Circuit diagram



## Classifications

### eCl@ss

eCl@ss 4.0	27200206
eCl@ss 4.1	27200206
eCl@ss 5.0	27200206
eCl@ss 5.1	27200206
eCl@ss 6.0	27200206
eCl@ss 7.0	27200206

### ETIM

ETIM 2.0	EC001446
ETIM 3.0	EC001446
ETIM 4.0	EC001446
ETIM 5.0	EC001446

### UNSPSC

UNSPSC 6.01	30211506
UNSPSC 7.0901	39121008
UNSPSC 11	39121008
UNSPSC 12.01	39121008
UNSPSC 13.2	39121008



# SCATTERGOOD & JOHNSON LTD

ELECTRICAL ENGINEERING & FLUID CONTROL DISTRIBUTORS

Est.1899

At Scattergood & Johnson Ltd, we pride ourselves on being a technical distributor to specialist industries.

Working with a range of quality product suppliers across a number of specialist markets, we are not your average 'box shifter' - we are your technical and supply chain partner.

We fully support every product we sell - for free! Our internal team and external sales engineers can answer any product or application question, no matter the complexity.

Backing up this technical ability is a range of 50,000+ products available from stock for nationwide next day delivery (same day if required!), or you can collect what you need from any of our trade counters around the UK.

Select your specialist interest below to learn more about how we can help.



Online, In Branch and On the Road - Scattergood & Johnson Ltd, there when you need us.

# [www.scatts.co.uk](http://www.scatts.co.uk)