

Signal conditioner - MCR-C-UI-UI-DCI - 2810913

Please be informed that the data shown in this PDF Document is generated from our Online Catalog. Please find the complete data in the user's documentation. Our General Terms of Use for Downloads are valid (<http://phoenixcontact.com/download>)



MCR 3-way signal conditioner, with configurable I/O, for the electrical isolation of analog signals, preconfigured. For information about permitted signal combinations, please refer to the data sheet. Replacement part: 2811446 MACX MCR-UI-UI-NC.

Product Description

The MCR-C-UI-UI(-450)-DCI(-NC) 3-way signal conditioner is used to electrically isolate and convert analog signals. It ensures the electrical isolation of standard analog signals. The module input and output are electrically isolated and supplied by the mains via integrated DC/DC converters (3-way isolation).

A green power LED indicates the required auxiliary energy. It is therefore clearly visible whether auxiliary energy is available.

The MCR module ensures the safe decoupling of a sensor circuit from the evaluation circuit and therefore also prevents any mutual interference between multiple sensor circuits.

The 3-way isolation means that the modules can be used universally, both on site or in the vicinity of the controller for signal conversion and electrical isolation, and along the transmission path to bridge high load resistance values.

Signals are converted by means of an inductive transmission method. In addition, a filter connected downstream of the transmitter reduces possible interference.



Key Commercial Data

Packing unit	1 pc
Weight per Piece (excluding packing)	153.900 g
Custom tariff number	85437090
Country of origin	Germany

Technical data

Note

Utilization restriction	EMC: class A product, see manufacturer's declaration in the download area
-------------------------	---------------------------------------------------------------------------

Dimensions

Width	17.5 mm
Height	99 mm
Depth	114.5 mm

Signal conditioner - MCR-C-UI-UI-DCI - 2810913

Technical data

Ambient conditions

Ambient temperature (operation)	-20 °C ... 65 °C
---------------------------------	------------------

Input data

Number of inputs	1
Configurable/programmable	Yes, preconfigured
Voltage input signal	0 V ... 10 V (please indicate if different setting when ordering)
max. input voltage	30 V
Max. input current	50 mA
Input resistance of voltage input	1 MΩ
Input resistance current input	50 Ω

Output data

Number of outputs	1
Configurable/programmable	Yes, preconfigured
Voltage output signal	0 V ... 10 V (please indicate if different setting when ordering)
Max. output voltage	15 V
Max. output current	30 mA
Load/output load voltage output	≥ 10 kΩ
Load/output load current output	≤ 500 Ω

Power supply

Supply voltage range	18 V DC ... 30 V DC
Max. current consumption	< 30 mA (without load)

General

No. of channels	1
Maximum transmission error	≤ 0.1 % (of final value)
Maximum temperature coefficient	0.0075 %/K
Limit frequency (3 dB)	30 Hz
Alignment zero	± 2 %
Alignment span	± 2 %
Step response (10-90%)	11 ms
Protective circuit	Transient protection
Test voltage input/output	1.5 kV (50 Hz, 1 min.)
Test voltage power supply/signal	1 kV (50 Hz, 1 min.)
Electromagnetic compatibility	Conformance with EMC directive
Noise emission	EN 61000-6-4
Noise immunity	EN 61000-6-2
Color	green

<https://www.phoenixcontact.com/us/products/2810913>



Signal conditioner - MCR-C-UI-UI-DCI - 2810913

Technical data

General

Housing material	Polyamide PA non-reinforced
Mounting position	any
Conformance	CE-compliant
UL, USA/Canada	UL 508 Recognized
	Class I, Div. 2, Groups A, B, C, D
	Class I, Zone 2, Group IIC

Standards and Regulations

Electromagnetic compatibility	Conformance with EMC directive
Noise emission	EN 61000-6-4
Noise immunity	EN 61000-6-2
Connection in acc. with standard	CUL
Conformance	CE-compliant
UL, USA/Canada	UL 508 Recognized
	Class I, Div. 2, Groups A, B, C, D
	Class I, Zone 2, Group IIC

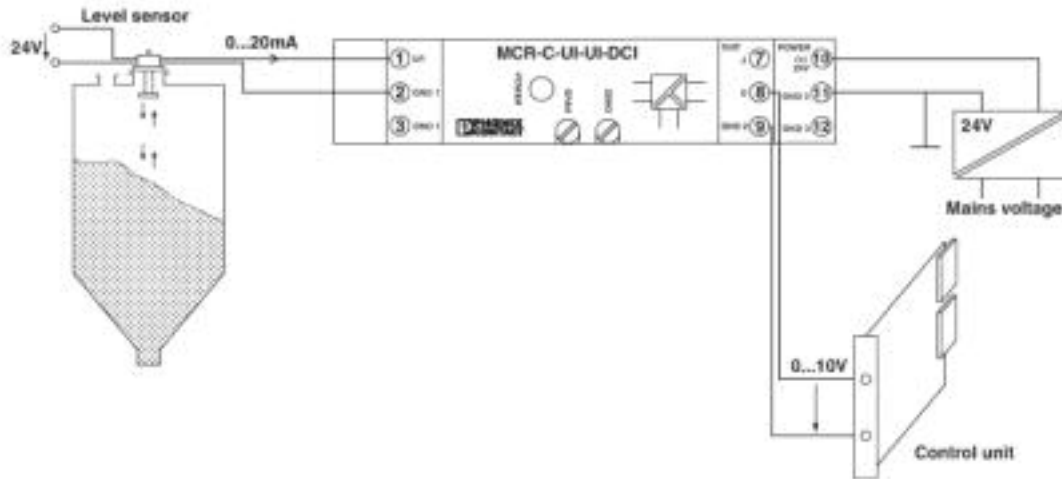
Environmental Product Compliance

	Lead 7439-92-1
China RoHS	Environmentally Friendly Use Period = 50
	For details about hazardous substances go to tab "Downloads", Category "Manufacturer's declaration"

Drawings

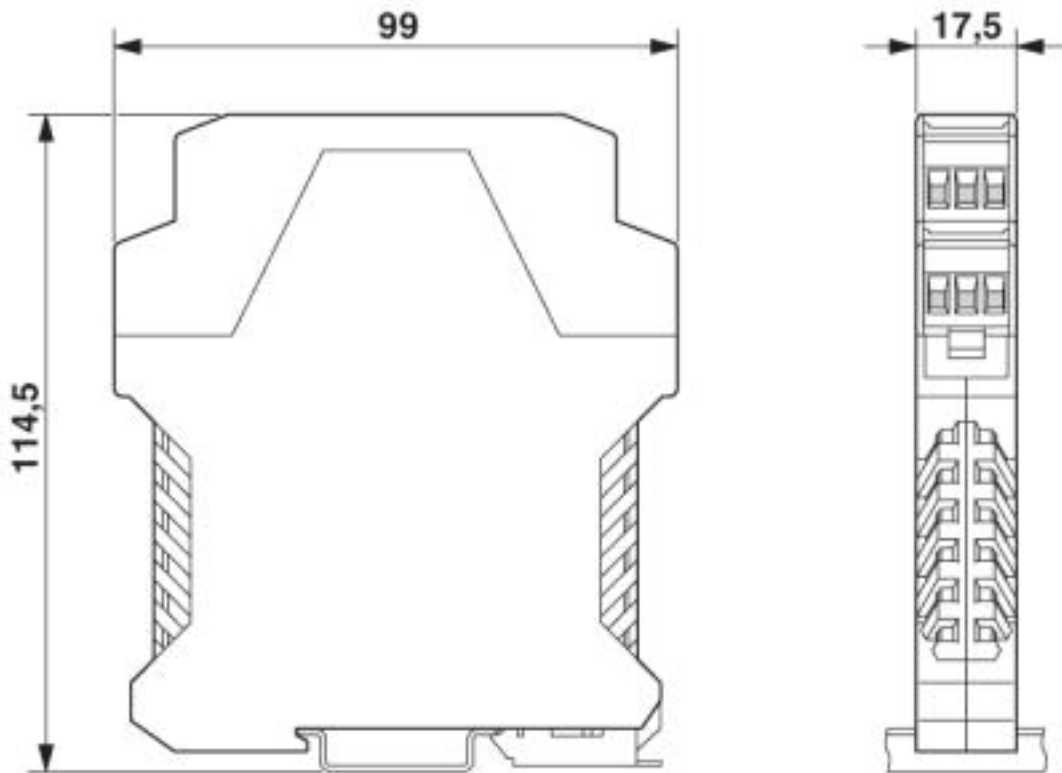
Signal conditioner - MCR-C-UI-UI-DCI - 2810913

Application drawing



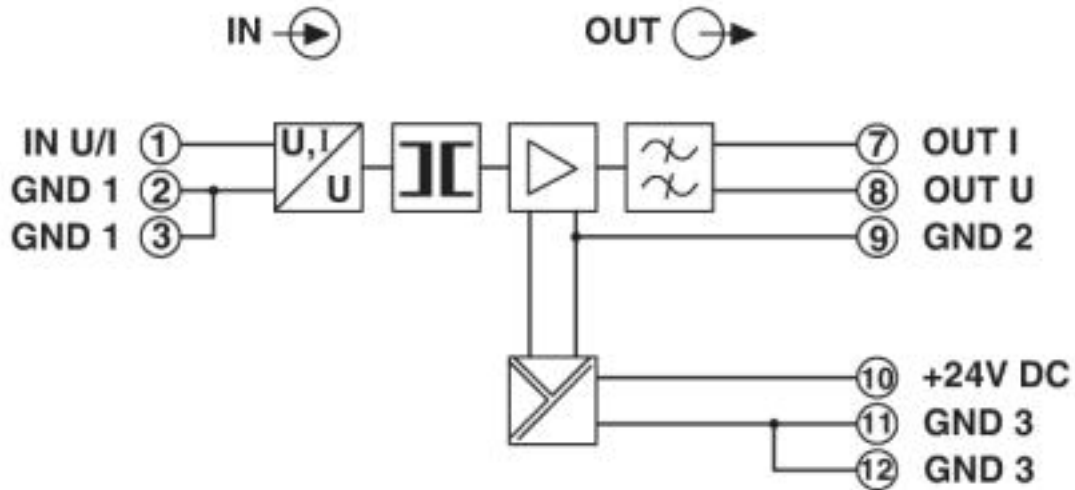
Application example: Level measurement

Dimensional drawing



Signal conditioner - MCR-C-UI-UI-DCI - 2810913

Circuit diagram



Classifications

eCl@ss

eCl@ss 4.0	27210100
eCl@ss 4.1	27210100
eCl@ss 5.0	27210100
eCl@ss 5.1	27210100
eCl@ss 6.0	27210100
eCl@ss 7.0	27210120
eCl@ss 8.0	27210120
eCl@ss 9.0	27210120

ETIM

ETIM 4.0	EC002653
ETIM 5.0	EC002653
ETIM 6.0	EC002653
ETIM 7.0	EC002653

UNSPSC

UNSPSC 6.01	30211506
UNSPSC 7.0901	39121008
UNSPSC 11	39121008
UNSPSC 12.01	39121008
UNSPSC 13.2	39121008

<https://www.phoenixcontact.com/us/products/2810913>



Signal conditioner - MCR-C-UI-UI-DCI - 2810913

Approvals

Approvals





Approvals

UL Recognized / cUL Recognized / EAC / cULus Recognized

Ex Approvals

UL Listed / cUL Listed / cULus Listed

Approval details

UL Recognized		http://database.ul.com/cgi-bin/XYV/template/LISEXT/1FRAME/index.htm	FILE E 238705
cUL Recognized		http://database.ul.com/cgi-bin/XYV/template/LISEXT/1FRAME/index.htm	FILE E 238705
EAC			RU C- DE.A*30.B.01082
cULus Recognized			

Phoenix Contact 2019 © - all rights reserved
<http://www.phoenixcontact.com>



SCATTERGOOD & JOHNSON LTD

ELECTRICAL ENGINEERING & FLUID CONTROL DISTRIBUTORS

Est.1899

At Scattergood & Johnson Ltd, we pride ourselves on being a technical distributor to specialist industries.

Working with a range of quality product suppliers across a number of specialist markets, we are not your average 'box shifter' - we are your technical and supply chain partner.

We fully support every product we sell - for free! Our internal team and external sales engineers can answer any product or application question, no matter the complexity.

Backing up this technical ability is a range of 50,000+ products available from stock for nationwide next day delivery (same day if required!), or you can collect what you need from any of our trade counters around the UK.

Select your specialist interest below to learn more about how we can help.



Online, In Branch and On the Road - Scattergood & Johnson Ltd, there when you need us.

www.scatts.co.uk