

Limit value switches - MCR-PSP - 2811912

Please be informed that the data shown in this PDF Document is generated from our Online Catalog. Please find the complete data in the user's documentation. Our General Terms of Use for Downloads are valid (<http://phoenixcontact.com/download>)




MCR threshold value switch, programmable, with 2 relay contacts

Your advantages

- This product is no longer available. Please see the recoding list in the download area under "Miscellaneous".



Key Commercial Data

Packing unit	1 pc
GTIN	 4 017918 107888
GTIN	4017918107888
Weight per Piece (excluding packing)	303.000 g
Custom tariff number	85437090
Country of origin	Germany

Technical data

Note

Utilization restriction	EMC: class A product, see manufacturer's declaration in the download area
-------------------------	---

Dimensions

Width	45 mm
Height	75 mm
Depth	110 mm

Ambient conditions

Ambient temperature (operation)	-20 °C ... 65 °C
---------------------------------	------------------

Limit value switches - MCR-PSP - 2811912

Technical data

Input data

Configurable/programmable	Yes, programmable
Voltage input signal	-30 V ... 30 V
Current input signal	-30 mA ... 30 mA
Input signal	Resistance thermometer 2, 3 or 4-wire system (in acc. with DIN 43760/DIN IEC 751 or SAMA RC 21-4-1966), e.g. PT sensors, Ni sensors etc.
	Thermocouple sensors (in acc. with DIN IEC 584-1/DIN 43710): B, E, J, K, L, N, R, S, T, U
	Resistance: 0 k Ω ... 8 k Ω (only 2-wire connection)
	Current: - 30 mA...+ 30 mA
	Voltage: - 30 V...+ 30 V
Input resistance of voltage input	200 k Ω
Input resistance current input	50 Ω
Discontinuous control resolution	0,1 °C / 0,01 V / 0,01 mA / 0,1 Ω
Linear resistance measuring range	0 Ω ... 8000 Ω

Switching output

Contact type	2 x PDT contact, / 2 switching points each, pick-up/drop-out (can be switched)
Contact material	AgNi 0,15 + HTV (hard gold-plated)
Maximum switching voltage	250 V AC
Mechanical service life	2x 10 ⁷ cycles
Setting range of the response delay	0 s ... 2 s (adjustable)
Status display	LED display
Max. switching current	2 A AC

Power supply

Supply voltage range	20 V DC ... 30 V DC
Max. current consumption	< 60 mA

General

No. of channels	1
Maximum transmission error	0.1 % (of final value)
Maximum temperature coefficient	≤ 0.01 %/K
Measuring rate	2 Hz
Status display	5-position 7-segment display and LEDs
Display resolution	0,1 °C / 0,01 V / 0,01 mA / 0,1 Ω
Protective circuit	Transient protection, polarity protection
Noise emission	EN 61000-6-4
Noise immunity	EN 61000-6-2:2005
Color	green

Limit value switches - MCR-PSP - 2811912

Technical data

General

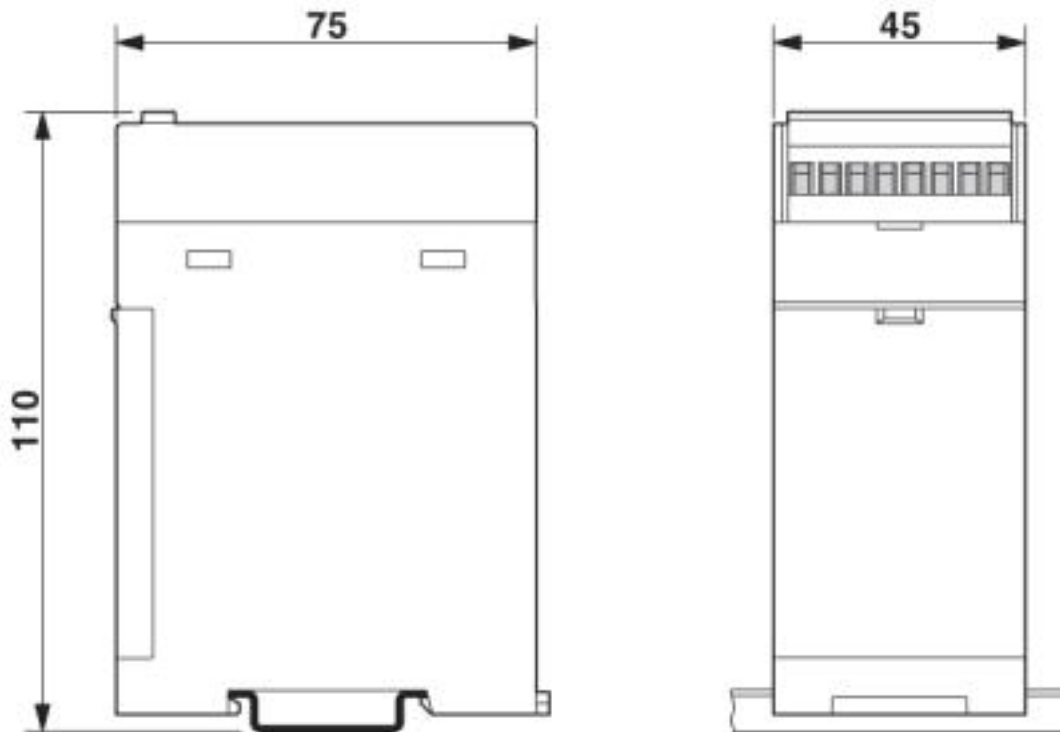
Housing material	ABS
Mounting position	any
Conformance	CE-compliant
UL, USA/Canada	cULus

Standards and Regulations

Noise emission	EN 61000-6-4
Noise immunity	EN 61000-6-2:2005
Connection in acc. with standard	CUL
Conformance	CE-compliant
UL, USA/Canada	cULus

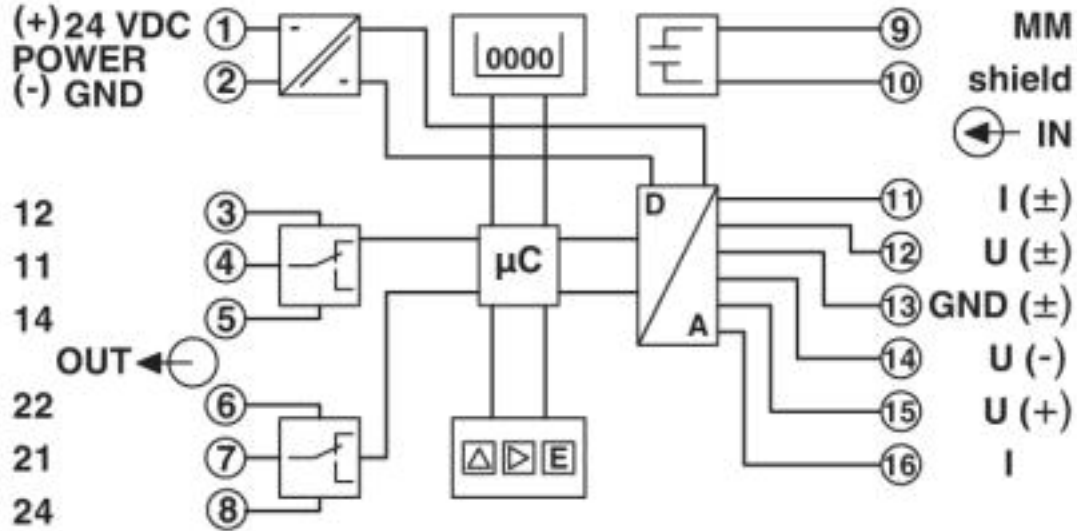
Drawings

Dimensional drawing



Limit value switches - MCR-PSP - 2811912

Circuit diagram



Classifications

eCl@ss

eCl@ss 4.0	27200303
eCl@ss 4.1	27200303
eCl@ss 5.0	27200303
eCl@ss 5.1	27200303
eCl@ss 6.0	27200303
eCl@ss 7.0	27142316
eCl@ss 8.0	27210122
eCl@ss 9.0	27210122

ETIM

ETIM 2.0	EC001440
ETIM 3.0	EC001440
ETIM 4.0	EC001440
ETIM 5.0	EC002654

UNSPSC

UNSPSC 6.01	30211506
UNSPSC 7.0901	39121008
UNSPSC 11	39121008
UNSPSC 12.01	39121008
UNSPSC 13.2	39121008

<https://www.phoenixcontact.com/us/products/2811912>



Phoenix Contact 2019 © - all rights reserved
<http://www.phoenixcontact.com>



SCATTERGOOD & JOHNSON LTD

ELECTRICAL ENGINEERING & FLUID CONTROL DISTRIBUTORS

Est.1899

At Scattergood & Johnson Ltd, we pride ourselves on being a technical distributor to specialist industries.

Working with a range of quality product suppliers across a number of specialist markets, we are not your average 'box shifter' - we are your technical and supply chain partner.

We fully support every product we sell - for free! Our internal team and external sales engineers can answer any product or application question, no matter the complexity.

Backing up this technical ability is a range of 50,000+ products available from stock for nationwide next day delivery (same day if required!), or you can collect what you need from any of our trade counters around the UK.

Select your specialist interest below to learn more about how we can help.



Online, In Branch and On the Road - Scattergood & Johnson Ltd, there when you need us.

www.scatts.co.uk