

## Signal conditioner - MCR-CLP-UI-I-4-NC - 2814252

Please be informed that the data shown in this PDF Document is generated from our Online Catalog. Please find the complete data in the user's documentation. Our General Terms of Use for Downloads are valid (<http://phoenixcontact.com/download>)



MCR loop powered isolators, for analog signal isolation, with unconfigured input, output signal: 4..20 mA

### Your advantages

- No separate supply voltage
- 4  
20 mA output
- Zero/span adjustment ( $\pm 2$  %)
- Configurable input
- Electrically isolated input



### Key Commercial Data

Packing unit	1 pc
Weight per Piece (excluding packing)	131.800 g
Custom tariff number	85437090
Country of origin	Germany

### Technical data

#### Note

Utilization restriction	EMC: class A product, see manufacturer's declaration in the download area
-------------------------	---

#### Dimensions

Width	17.5 mm
Height	99 mm
Depth	114.5 mm

#### Ambient conditions

## Signal conditioner - MCR-CLP-UI-I-4-NC - 2814252

### Technical data

#### Ambient conditions

Ambient temperature (operation)	-25 °C ... 65 °C
---------------------------------	------------------

#### Input data

Description of the input	Current input
Number of inputs	1
Configurable/programmable	Yes
Current input signal	4 mA ... 20 mA (please indicate if different setting when ordering)
max. input voltage	30 V
Max. input current	50 mA
Input resistance of voltage input	1 MΩ
Input resistance current input	50 Ω

#### Output data

Output name	Current output
Number of outputs	1
Configurable/programmable	no
Current output signal	4 mA ... 20 mA
Max. output current	35 mA
Load/output load current output	≤ 800 Ω (at U <sub>B</sub> = 24 V; otherwise: (U <sub>B</sub> - 8 V) / 20 mA)

#### Power supply

Designation	Loop-powered
Supply voltage range	8 V DC ... 30 V DC
Voltage dissipation	8 V

#### General

No. of channels	1
Maximum transmission error	≤ 0.1 % (of final value)
Transmission error, typical	0.05 %
Maximum temperature coefficient	≤ 0.01 %/K
Temperature coefficient, typical	0.005 %/K
Limit frequency (3 dB)	30 Hz
Alignment zero	± 2 % (of final value)
Alignment span	± 2 % (of final value)
Step response (10-90%)	11 ms
Test voltage input/output	1.5 kV (50 Hz, 1 min.)
Color	green
Housing material	Polyamide PA non-reinforced
Mounting position	any

## Signal conditioner - MCR-CLP-UI-I-4-NC - 2814252

### Technical data

#### General

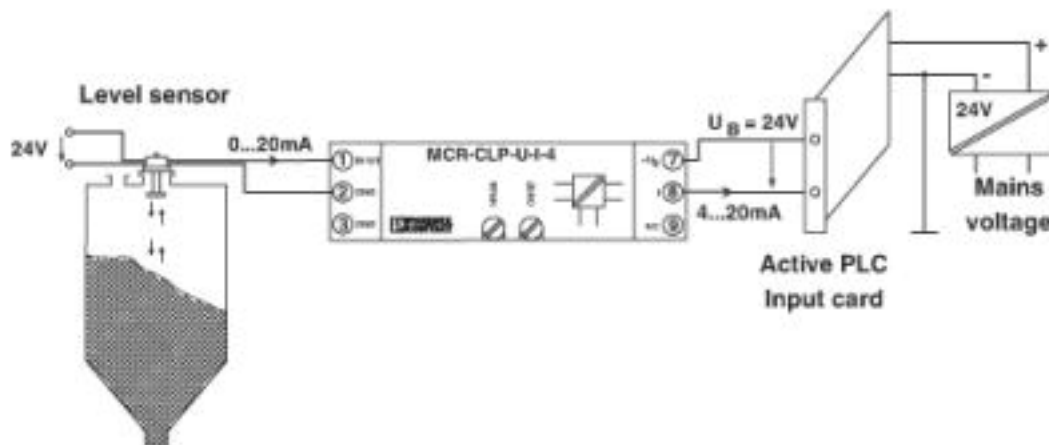
Conformance	CE-compliant
UL, USA/Canada	Class I, Div. 2, Groups A, B, C, D or Non-Hazardous Locations

#### Standards and Regulations

Connection in acc. with standard	CUL
Conformance	CE-compliant
UL, USA/Canada	Class I, Div. 2, Groups A, B, C, D or Non-Hazardous Locations

### Drawings

#### Application drawing

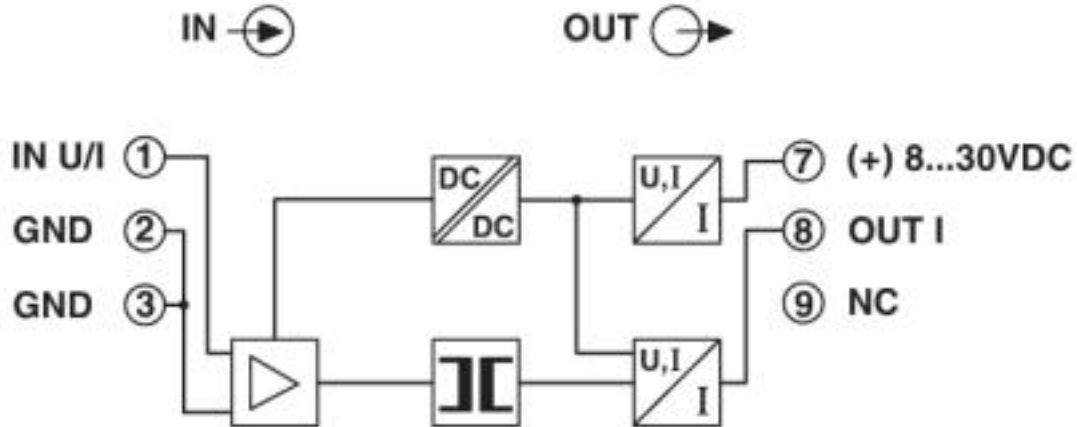


Application example: Level measurement

- 1 = Level sensor
- 2 = Mains voltage
- 3 = Control unit

## Signal conditioner - MCR-CLP-UI-I-4-NC - 2814252

Circuit diagram



### Classifications

#### eCl@ss

eCl@ss 4.0	27210120
eCl@ss 4.1	27210120
eCl@ss 5.0	27210120
eCl@ss 5.1	27210120
eCl@ss 6.0	27210120
eCl@ss 7.0	27210120
eCl@ss 8.0	27210121
eCl@ss 9.0	27210120

#### ETIM

ETIM 2.0	EC001485
ETIM 3.0	EC001485
ETIM 4.0	EC001485
ETIM 5.0	EC001485

#### UNSPSC

UNSPSC 6.01	30211506
UNSPSC 7.0901	39121008
UNSPSC 11	39121008
UNSPSC 12.01	39121008
UNSPSC 13.2	39121008



# SCATTERGOOD & JOHNSON LTD

ELECTRICAL ENGINEERING & FLUID CONTROL DISTRIBUTORS

Est.1899

At Scattergood & Johnson Ltd, we pride ourselves on being a technical distributor to specialist industries.

Working with a range of quality product suppliers across a number of specialist markets, we are not your average 'box shifter' - we are your technical and supply chain partner.

We fully support every product we sell - for free! Our internal team and external sales engineers can answer any product or application question, no matter the complexity.

Backing up this technical ability is a range of 50,000+ products available from stock for nationwide next day delivery (same day if required!), or you can collect what you need from any of our trade counters around the UK.

Select your specialist interest below to learn more about how we can help.



Online, In Branch and On the Road - Scattergood & Johnson Ltd, there when you need us.

# [www.scatts.co.uk](http://www.scatts.co.uk)