

## Repeater power supply - MCR-CPS-I-I-44-E - 2814553

Please be informed that the data shown in this PDF Document is generated from our Online Catalog. Please find the complete data in the user's documentation. Our General Terms of Use for Downloads are valid (<http://phoenixcontact.com/download>)



MCR repeater power supplies, input signal: 4...20 mA, output signal: 4...20 mA



### Key Commercial Data

Packing unit	1 pc
GTIN	 4 017918 148515
GTIN	4017918148515
Weight per Piece (excluding packing)	130.500 g
Custom tariff number	85437090
Country of origin	Germany

### Technical data

#### Dimensions

Width	17.5 mm
Height	99 mm
Depth	114.5 mm

#### Ambient conditions

Ambient temperature (operation)	-20 °C ... 65 °C
---------------------------------	------------------

#### Input data

Description of the input	Current input (sensor circuit)
Current input signal	4 mA ... 20 mA
Max. input current	100 mA
Transmitter supply voltage range	20 V ... 30 V

## Repeater power supply - MCR-CPS-I-I-44-E - 2814553

### Technical data

#### Input data

Transmitter supply current	< 30 mA
----------------------------	---------

#### Output data

Output name	Current output
Current output signal	4 mA ... 20 mA
Max. output current	approx. 28 mA
Output current with wire break	0 mA
Output current with short-circuit	> 20 mA
Load/output load current output	≤ 500 Ω

#### Power supply

Supply voltage range	20 V DC ... 30 V DC
Max. current consumption	approx. 70 mA

#### General

No. of channels	1
Maximum transmission error	≤ 0.1 % (of final value)
Maximum temperature coefficient	< 0.01 %
Limit frequency (3 dB)	30 Hz
Step response (10-90%)	approx. 10 ms
Protective circuit	Transient protection
Test voltage, input/output/supply	1 kV (50 Hz, 1 min.)
Color	green
Housing material	Polyamide PA non-reinforced
Mounting position	any
Conformance	CE-compliant
UL, USA/Canada	cULus

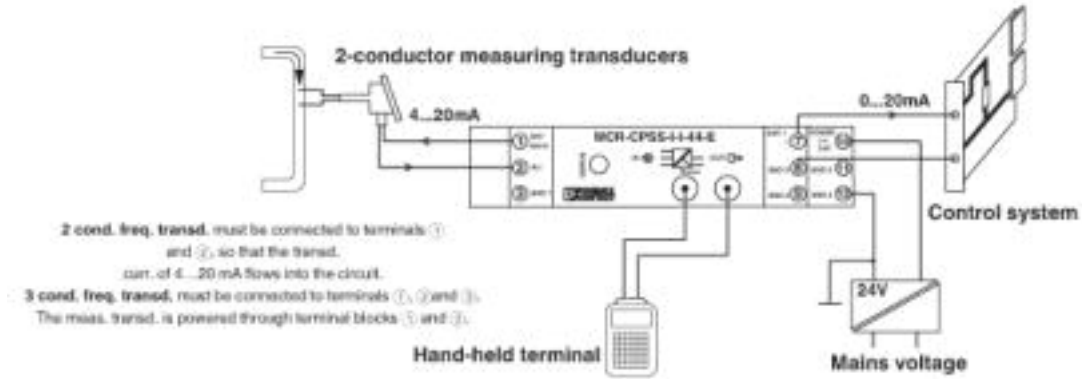
#### Standards and Regulations

Conformance	CE-compliant
UL, USA/Canada	cULus

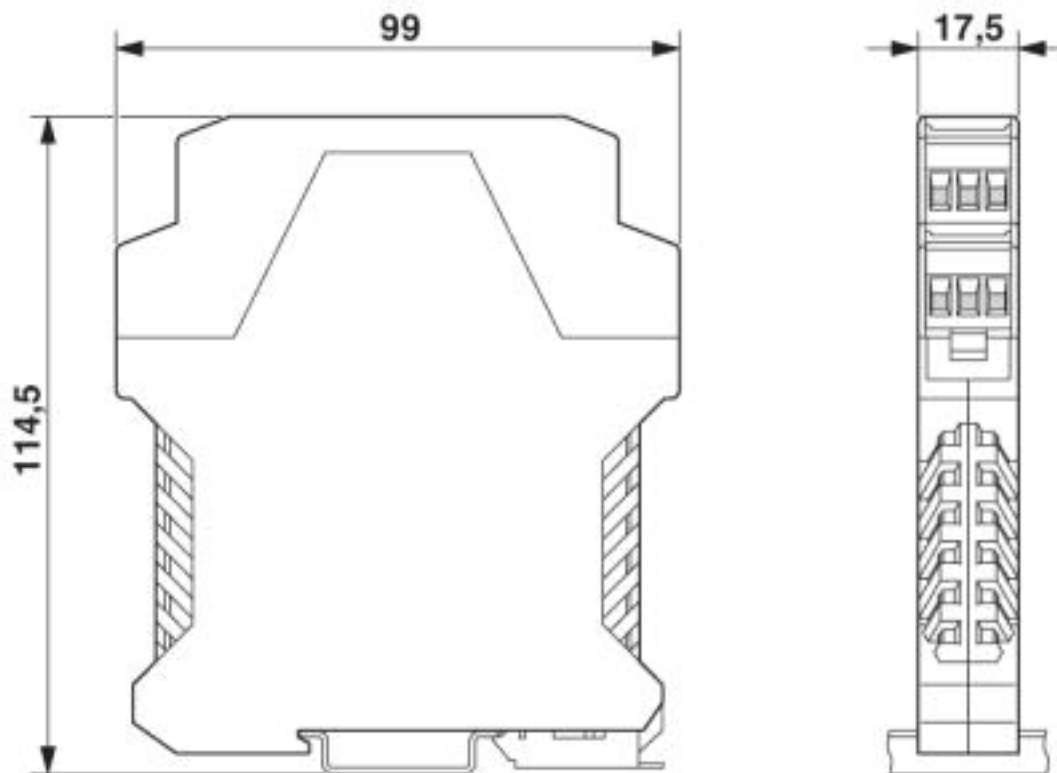
### Drawings

# Repeater power supply - MCR-CPS-I-I-44-E - 2814553

Application drawing

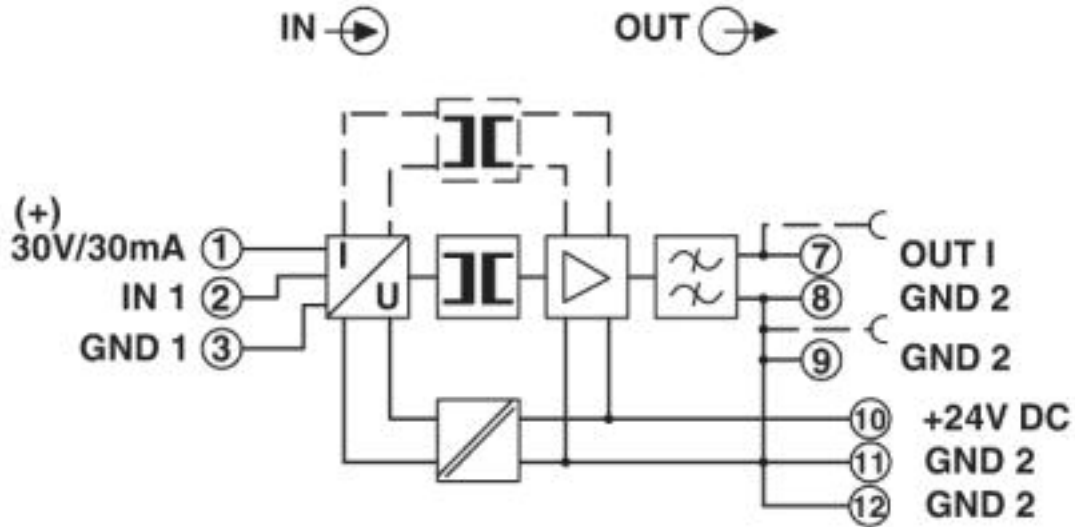


Dimensional drawing



# Repeater power supply - MCR-CPS-I-I-44-E - 2814553

Circuit diagram



## Classifications

eCl@ss

eCl@ss 4.0	27210120
eCl@ss 4.1	27210120
eCl@ss 5.0	27210120
eCl@ss 5.1	27210120
eCl@ss 6.0	27210120
eCl@ss 8.0	27210121
eCl@ss 9.0	27210121

ETIM

ETIM 2.0	EC001485
ETIM 3.0	EC001485
ETIM 4.0	EC001485
ETIM 5.0	EC001485

UNSPSC

UNSPSC 6.01	30211506
UNSPSC 7.0901	39121008
UNSPSC 11	39121008
UNSPSC 12.01	39121008
UNSPSC 13.2	39121008

<https://www.phoenixcontact.com/us/products/2814553>



Phoenix Contact 2019 © - all rights reserved  
<http://www.phoenixcontact.com>



# SCATTERGOOD & JOHNSON LTD

ELECTRICAL ENGINEERING & FLUID CONTROL DISTRIBUTORS

Est.1899

At Scattergood & Johnson Ltd, we pride ourselves on being a technical distributor to specialist industries.

Working with a range of quality product suppliers across a number of specialist markets, we are not your average 'box shifter' - we are your technical and supply chain partner.

We fully support every product we sell - for free! Our internal team and external sales engineers can answer any product or application question, no matter the complexity.

Backing up this technical ability is a range of 50,000+ products available from stock for nationwide next day delivery (same day if required!), or you can collect what you need from any of our trade counters around the UK.

Select your specialist interest below to learn more about how we can help.



Online, In Branch and On the Road - Scattergood & Johnson Ltd, there when you need us.

# [www.scatts.co.uk](http://www.scatts.co.uk)