

Signal conditioner - MCR-FL-C-UI-UI-DCI-24/230 - 2814838

Please be informed that the data shown in this PDF Document is generated from our Online Catalog. Please find the complete data in the user's documentation. Our General Terms of Use for Downloads are valid (<http://phoenixcontact.com/download>)



MCR 3-way isolating amplifier, with configurable inputs/outputs, reliable isolation and wide range power supply, for electrical isolation of analog signals



Key Commercial Data

Packing unit	1 pc
Weight per Piece (excluding packing)	126.200 g
Custom tariff number	85437090
Country of origin	Germany

Technical data

Dimensions

Width	12.5 mm
Height	99 mm
Depth	114.5 mm

Ambient conditions

Ambient temperature (operation)	-10 °C ... 70 °C
---------------------------------	------------------

Input data

Description of the input	Current input
Configurable/programmable	Yes, can be reconnected/switched
Current input signal	0 mA ... 20 mA (default setting)
	4 mA ... 20 mA
Max. input current	approx. 22 mA
Voltage dissipation	approx. 250 mV (at 20 mA)
Description of the input	Voltage input
Voltage input signal	0 V ... 10 V

Signal conditioner - MCR-FL-C-UI-UI-DCI-24/230 - 2814838

Technical data

Input data

max. input voltage	11 V
Input resistance of voltage input	approx. 1 M Ω

Output data

Configurable/programmable	Yes, can be switched
Voltage output signal	0 V ... 10 V
Current output signal	0 mA ... 20 mA (default setting)
	4 mA ... 20 mA
Max. output voltage	11 V
Max. output current	approx. 22 mA
Load/output load voltage output	≥ 1 k Ω (at 10 V)
Load/output load current output	≤ 600 Ω (at 20 mA)
Ripple	< 10 mV _{PP}

Power supply

Supply voltage range	20 V AC/DC ... 253 V AC/DC
Max. current consumption	30 mA (Without load current)
Power consumption	approx. 2 VA (AC)
	approx. 1 W (DC)

General

No. of channels	1
Maximum transmission error	≤ 0.1 % (of final value)
Maximum temperature coefficient	0.005 %/K
Limit frequency (3 dB)	< 10 Hz (can be switched)
	approx. 10 kHz (default setting, 10 Hz can be switched)
Step response (10-90%)	35 ms (at 10 Hz)
	35 μ s (at 10 kHz)
Protective circuit	Transient protection
Test voltage, input/output/supply	4 kV (50 Hz, 1 min.)
Electromagnetic compatibility	Conformance with EMC directive
Color	green
Housing material	Polyamide PA non-reinforced
Mounting position	any

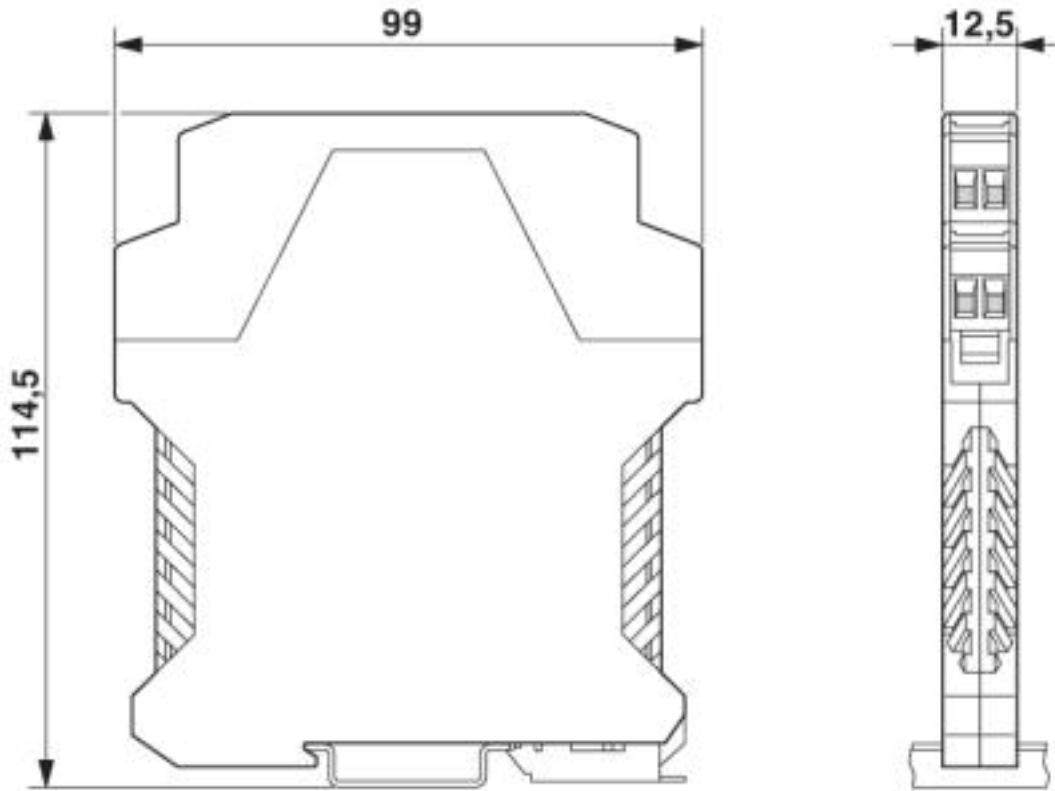
Standards and Regulations

Electromagnetic compatibility	Conformance with EMC directive
Connection in acc. with standard	CUL

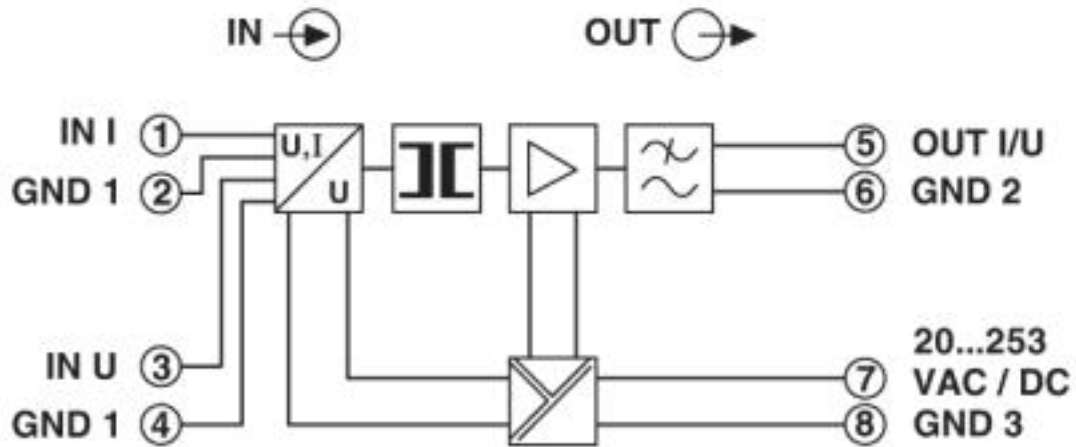
Signal conditioner - MCR-FL-C-UI-UI-DCI-24/230 - 2814838

Drawings

Dimensional drawing



Circuit diagram



<https://www.phoenixcontact.com/us/products/2814838>

Signal conditioner - MCR-FL-C-UI-UI-DCI-24/230 - 2814838

Classifications

eCl@ss

eCl@ss 4.0	27210120
eCl@ss 4.1	27210120
eCl@ss 5.0	27210120
eCl@ss 5.1	27210120
eCl@ss 6.0	27210120
eCl@ss 7.0	27210120
eCl@ss 8.0	27210121
eCl@ss 9.0	27210121

ETIM

ETIM 2.0	EC001485
ETIM 3.0	EC001485
ETIM 4.0	EC001485
ETIM 5.0	EC001485

UNSPSC

UNSPSC 6.01	30211506
UNSPSC 7.0901	39121008
UNSPSC 11	39121008
UNSPSC 12.01	39121008
UNSPSC 13.2	39121008

Phoenix Contact 2019 © - all rights reserved
<http://www.phoenixcontact.com>



SCATTERGOOD & JOHNSON LTD

ELECTRICAL ENGINEERING & FLUID CONTROL DISTRIBUTORS

Est.1899

At Scattergood & Johnson Ltd, we pride ourselves on being a technical distributor to specialist industries.

Working with a range of quality product suppliers across a number of specialist markets, we are not your average 'box shifter' - we are your technical and supply chain partner.

We fully support every product we sell - for free! Our internal team and external sales engineers can answer any product or application question, no matter the complexity.

Backing up this technical ability is a range of 50,000+ products available from stock for nationwide next day delivery (same day if required!), or you can collect what you need from any of our trade counters around the UK.

Select your specialist interest below to learn more about how we can help.



Online, In Branch and On the Road - Scattergood & Johnson Ltd, there when you need us.

www.scatts.co.uk