

Loop-powered isolators - MCR-SL-1CLP-I-I-00-4KV - 2814841

Please be informed that the data shown in this PDF Document is generated from our Online Catalog. Please find the complete data in the user's documentation. Our General Terms of Use for Downloads are valid (<http://phoenixcontact.com/download>)



MCR loop-powered isolator for the electrical isolation of current signals without auxiliary power, input signal: 0(4) ... 20 mA, output signal: 0(4) ... 20 mA

Your advantages

- 0/4 ... 20 mA current signals
- Electrical isolation without additional auxiliary voltage
- Safe isolation



Key Commercial Data

Packing unit	1 pc
Weight per Piece (excluding packing)	99.600 g
Custom tariff number	85437090
Country of origin	Germany

Technical data

Dimensions

Width	12.5 mm
Height	99 mm
Depth	114.5 mm

Ambient conditions

Ambient temperature (operation)	-10 °C ... 70 °C
---------------------------------	------------------

Input data

Description of the input	Current input
Number of inputs	1
Configurable/programmable	no

Loop-powered isolators - MCR-SL-1CLP-I-I-00-4KV - 2814841

Technical data

Input data

Current input signal	0 mA ... 20 mA
	4 mA ... 20 mA
max. input voltage	30 V (30 V overload)
Max. input current	50 mA (100 mA overload)
Response current	< 50 μ A
Input voltage limitation	33 V 5 % (with Zener diode)
Voltage dissipation	2.5 V (I = 20 mA)

Output data

Output name	Current output
Number of outputs	1
Configurable/programmable	no
Current output signal	0 mA ... 20 mA
	4 mA ... 20 mA
Max. output current	< 50 mA
Load/output load current output	\leq 1375 Ω (at I = 20 mA output signal)
Ripple	< 5 mV (rms)
Transmission Behavior	1:1 to input signal

Power supply

Supply voltage range	no separate supply voltage necessary
----------------------	--------------------------------------

General

No. of channels	1
Maximum transmission error	\leq 0.1 % (of final value)
Maximum temperature coefficient	\leq 0.002 %/K (of measured value / 100 Ω load)
Additional error, load-dependent	0.02 % (of measured value / 100 Ω load)
Limit frequency (3 dB)	< 75 Hz (at I = 20 mA and maximum load)
Step response (10-90%)	5 ms (with 500 Ω load)
Test voltage input/output	4 kV (50 Hz, 1 min.)
Color	green
Housing material	Polyamide PA non-reinforced
Mounting position	any
Conformance	CE-compliant
UL, USA/Canada	cULus

Standards and Regulations

Connection in acc. with standard	CUL
Standards/regulations	DIN EN 61010-1

Loop-powered isolators - MCR-SL-1CLP-I-I-00-4KV - 2814841

Technical data

Standards and Regulations

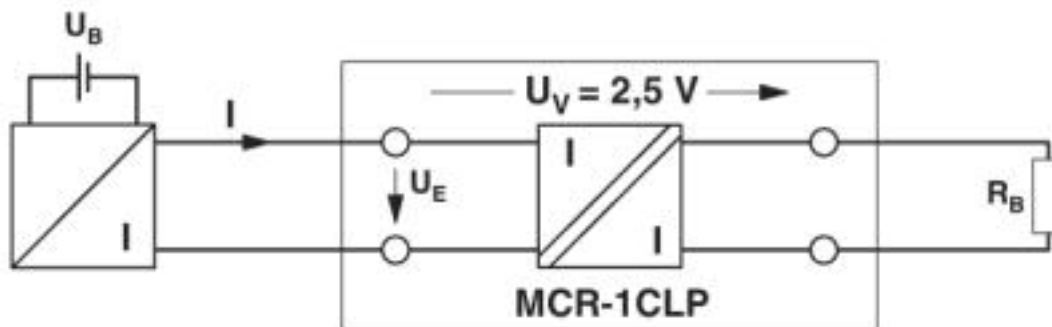
	VDE 0100-410
	VDE 0106-101
Pollution degree	2
Overvoltage category	II
Conformance	CE-compliant
UL, USA/Canada	cULus

Environmental Product Compliance

China RoHS	Environmentally Friendly Use Period = 50
	For details about hazardous substances go to tab "Downloads", Category "Manufacturer's declaration"

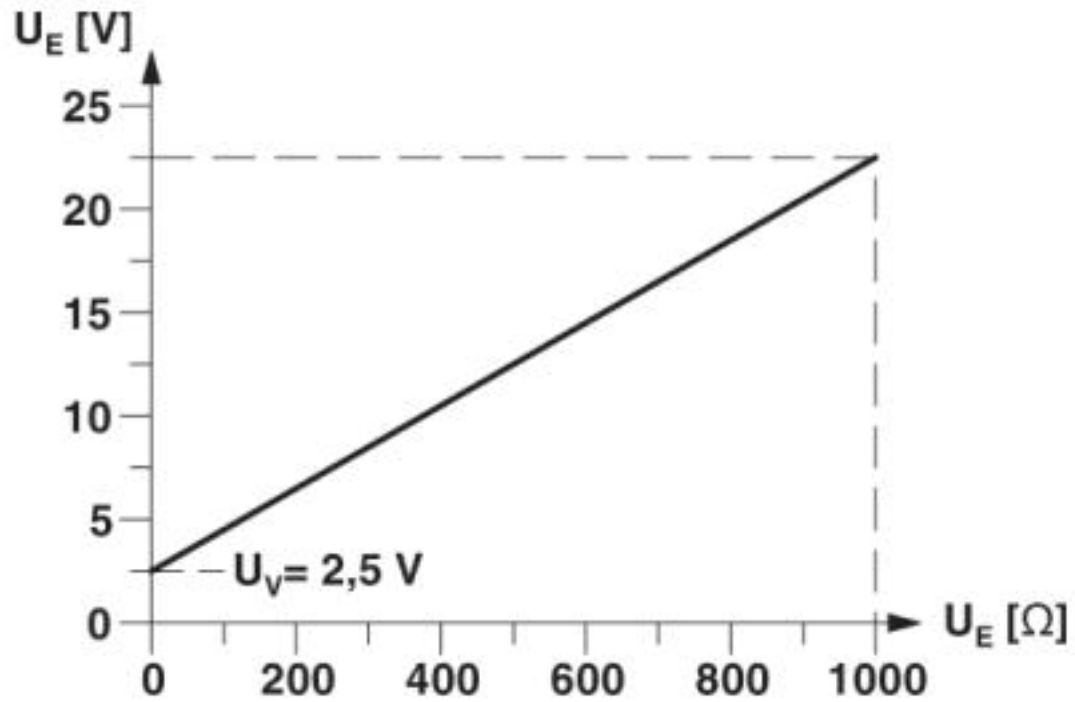
Drawings

Application drawing



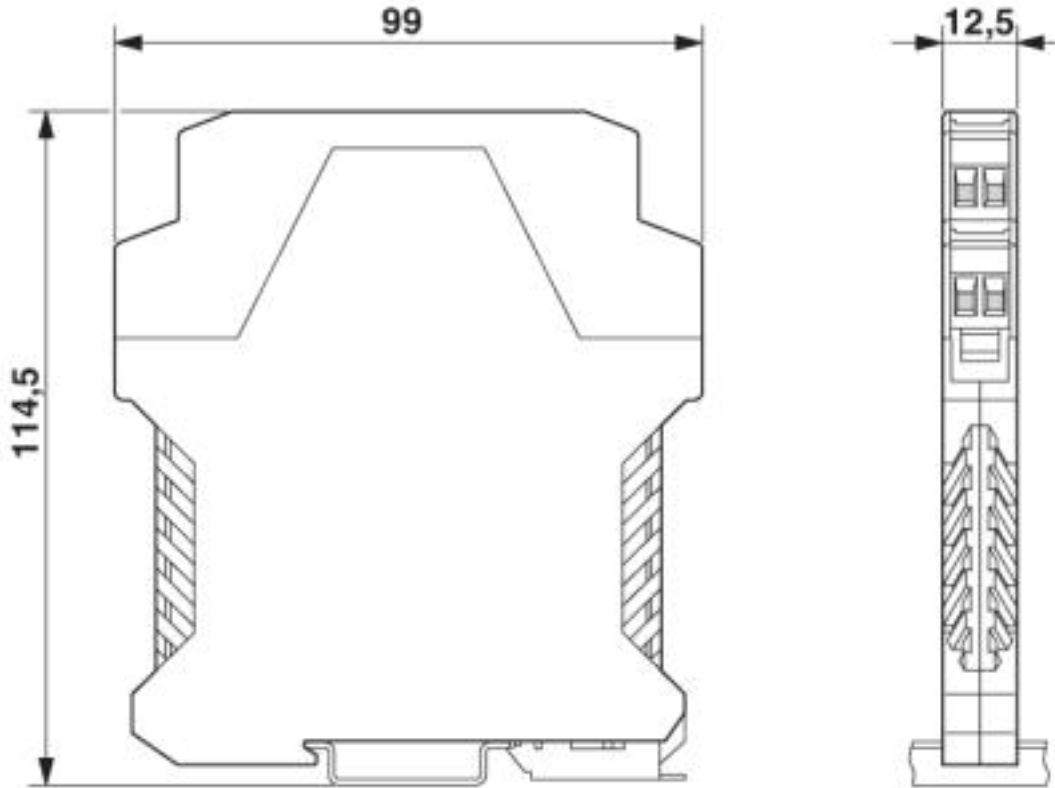
Loop-powered isolators - MCR-SL-1CLP-I-I-00-4KV - 2814841

Diagram

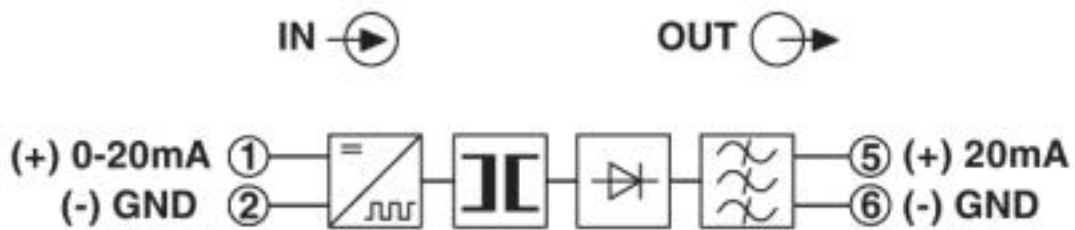


Loop-powered isolators - MCR-SL-1CLP-I-I-00-4KV - 2814841

Dimensional drawing



Circuit diagram



Classifications

eCl@ss

eCl@ss 4.0	27210120
eCl@ss 4.1	27210120
eCl@ss 5.0	27210120
eCl@ss 5.1	27210120
eCl@ss 6.0	27210120

<https://www.phoenixcontact.com/us/products/2814841>

Loop-powered isolators - MCR-SL-1CLP-I-I-00-4KV - 2814841

Classifications

eCl@ss

eCl@ss 7.0	27210120
eCl@ss 8.0	27210120
eCl@ss 9.0	27210120

ETIM

ETIM 2.0	EC001485
ETIM 3.0	EC001485
ETIM 4.0	EC001485
ETIM 5.0	EC002653

UNSPSC

UNSPSC 6.01	30211506
UNSPSC 7.0901	39121008
UNSPSC 11	39121008
UNSPSC 12.01	39121008
UNSPSC 13.2	39121008

Phoenix Contact 2019 © - all rights reserved
<http://www.phoenixcontact.com>



SCATTERGOOD & JOHNSON LTD

ELECTRICAL ENGINEERING & FLUID CONTROL DISTRIBUTORS

Est.1899

At Scattergood & Johnson Ltd, we pride ourselves on being a technical distributor to specialist industries.

Working with a range of quality product suppliers across a number of specialist markets, we are not your average 'box shifter' - we are your technical and supply chain partner.

We fully support every product we sell - for free! Our internal team and external sales engineers can answer any product or application question, no matter the complexity.

Backing up this technical ability is a range of 50,000+ products available from stock for nationwide next day delivery (same day if required!), or you can collect what you need from any of our trade counters around the UK.

Select your specialist interest below to learn more about how we can help.



Online, In Branch and On the Road - Scattergood & Johnson Ltd, there when you need us.

www.scatts.co.uk