

Digital display - MCR-FL-D-U-I-2SP- 24 - 2864215

Please be informed that the data shown in this PDF Document is generated from our Online Catalog. Please find the complete data in the user's documentation. Our General Terms of Use for Downloads are valid (<http://phoenixcontact.com/download>)



MCR digital display, for measurement and display of standard signals, auxiliary power supply 24 V DC

Your advantages

- 96 x 48 mm display
- Electrical isolation
- 5-digit display
- Totalizer
- 2 relay outputs with freely adjustable limit values
- For standard analog signals
- Programmable



Key Commercial Data

Packing unit	1 pc
GTIN	 4 017918 820688
GTIN	4017918820688
Weight per Piece (excluding packing)	332.000 g
Custom tariff number	90303330
Country of origin	Germany

Technical data

Dimensions

Width	96 mm
Height	48 mm
Depth	93.1 mm

Digital display - MCR-FL-D-U-I-2SP- 24 - 2864215

Technical data

Ambient conditions

Ambient temperature (operation)	-20 °C ... 65 °C
Ambient temperature (storage/transport)	-40 °C ... 85 °C

Input data

Voltage input signal	0 V ... 10 V
	-10 V ... 10 V
Current input signal	0 mA ... 20 mA
	4 mA ... 20 mA
max. input voltage	± 30 V
Max. input current	50 mA
Input resistance of voltage input	> 1 MΩ
Input resistance current input	< 50 Ω

Switching output

Output name	2 x relay output + digital display
Contact type	2 PDT
Contact material	AgCdO
Maximum switching voltage	300 V DC
	250 V AC
Min. switching current	30 mA DC
Interrupting rating (ohmic load) max.	50 W
	2000 VA
Max. switching current	3 A

Power supply

Supply voltage range	10 V DC ... 30 V DC
Power consumption	max. 2 W

General

Test voltage, input/output/supply	500 V _{rms} / 2.3 kV _{rms} , 50/60 Hz, 1 min.
Color	black
Housing material	Macrolon 2405
Conformance	CE-compliant
UL, USA/Canada	UL 508 Recognized

Standards and Regulations

Connection in acc. with standard	CUL
Conformance	CE-compliant
UL, USA/Canada	UL 508 Recognized

Environmental Product Compliance

Digital display - MCR-FL-D-U-I-2SP- 24 - 2864215

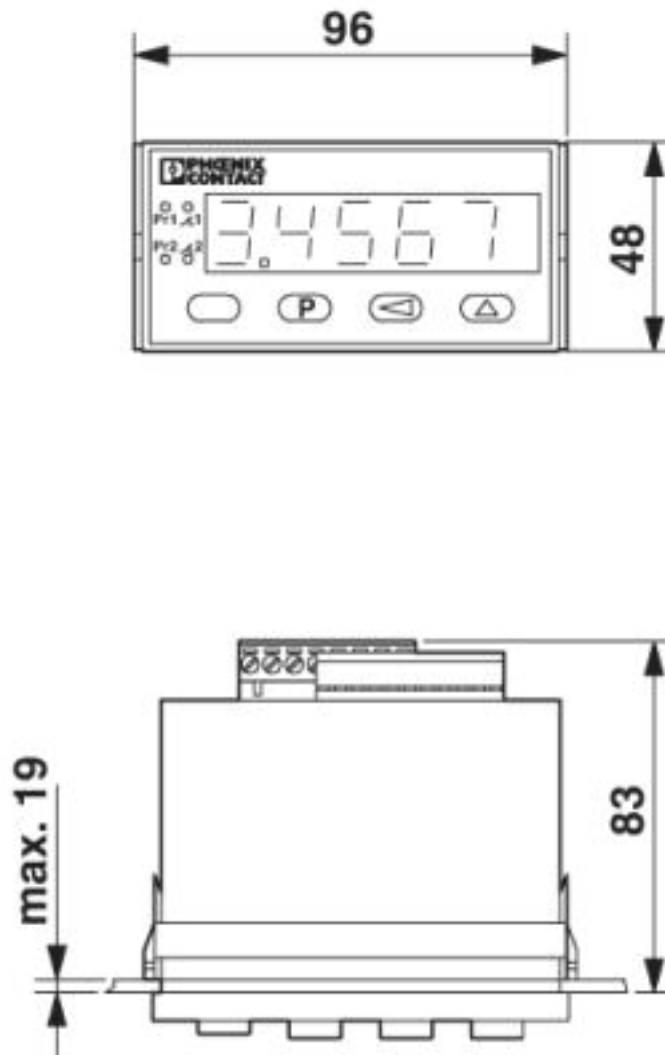
Technical data

Environmental Product Compliance

China RoHS	Environmentally friendly use period: unlimited = EFUP-e
	No hazardous substances above threshold values

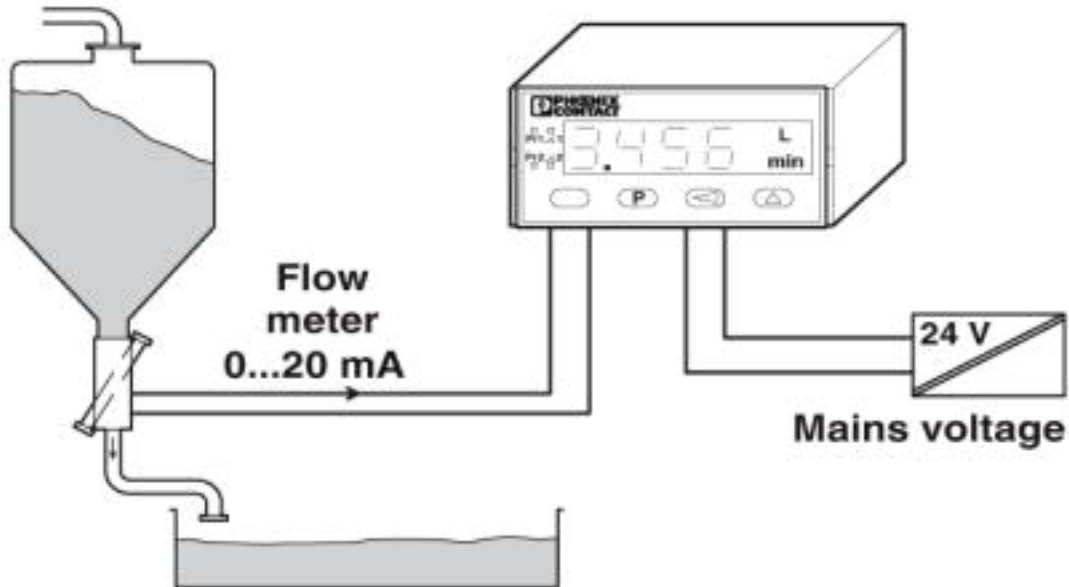
Drawings

Dimensional drawing



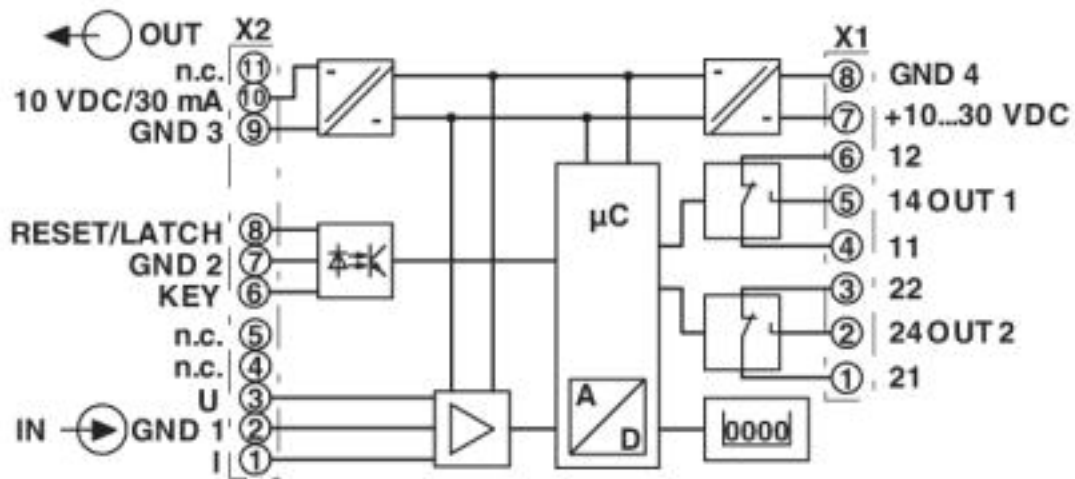
Digital display - MCR-FL-D-U-I-2SP- 24 - 2864215

Application drawing



Flow measurement and display

Circuit diagram



Classifications

eCl@ss

eCl@ss 4.0	27210301
eCl@ss 4.1	27210301

<https://www.phoenixcontact.com/us/products/2864215>



Digital display - MCR-FL-D-U-I-2SP- 24 - 2864215

Classifications

eCl@ss

eCl@ss 5.0	27210301
eCl@ss 5.1	27210300
eCl@ss 6.0	27210300
eCl@ss 7.0	27210301
eCl@ss 8.0	27210301
eCl@ss 9.0	27210301

ETIM

ETIM 2.0	EC001426
ETIM 3.0	EC001426
ETIM 4.0	EC001426
ETIM 5.0	EC001426
ETIM 6.0	EC001426
ETIM 7.0	EC001426

UNSPSC

UNSPSC 6.01	30211506
UNSPSC 7.0901	39121008
UNSPSC 11	39121008
UNSPSC 12.01	39121008
UNSPSC 13.2	39121008

Approvals


Approvals

Approvals

UL Recognized / cUL Recognized / EAC / cULus Recognized

Ex Approvals

Approval details


UL Recognized		http://database.ul.com/cgi-bin/XYV/template/LISEXT/1FRAME/index.htm	FILE E 197577
---------------	---	---	---------------

<https://www.phoenixcontact.com/us/products/2864215>




Digital display - MCR-FL-D-U-I-2SP- 24 - 2864215

Approvals

cUL Recognized		http://database.ul.com/cgi-bin/XYVV/template/LISEXT/1FRAME/index.htm	FILE E 197577
----------------	---	---	---------------

EAC			RU C- DE.A*30.B.01082
-----	---	--	--------------------------

cULus Recognized			
------------------	---	--	--

Phoenix Contact 2019 © - all rights reserved
<http://www.phoenixcontact.com>



SCATTERGOOD & JOHNSON LTD

ELECTRICAL ENGINEERING & FLUID CONTROL DISTRIBUTORS

Est.1899

At Scattergood & Johnson Ltd, we pride ourselves on being a technical distributor to specialist industries.

Working with a range of quality product suppliers across a number of specialist markets, we are not your average 'box shifter' - we are your technical and supply chain partner.

We fully support every product we sell - for free! Our internal team and external sales engineers can answer any product or application question, no matter the complexity.

Backing up this technical ability is a range of 50,000+ products available from stock for nationwide next day delivery (same day if required!), or you can collect what you need from any of our trade counters around the UK.

Select your specialist interest below to learn more about how we can help.



Online, In Branch and On the Road - Scattergood & Johnson Ltd, there when you need us.

www.scatts.co.uk