

<https://www.phoenixcontact.com/us/products/2864419>



Loop-powered isolators - MINI MCR-SL-1CP-I-I - 2864419

Please be informed that the data shown in this PDF Document is generated from our Online Catalog. Please find the complete data in the user's documentation. Our General Terms of Use for Downloads are valid (<http://phoenixcontact.com/download>)



MCR loop-powered isolator, 1-channel, for the electrical isolation of current signals without auxiliary power, with screw connection

Product Description

The 6.2 mm narrow passive loop-powered isolator MINI MCR-SL-...CP-I-I... is used for the electrical isolation and filtering of 0...20 mA and 4...20 mA standard current signals without additional supply voltage.

Your advantages

- ✓ Voltage drop at isolating amplifier of just 1.7 V
- ✓ Does not require additional auxiliary voltage
- ✓ Supplied by an input loop
- ✓ Two channels on a design width of just 6.2 mm
- ✓ Highly-compact 2-wire passive isolators for electrical isolation and filtering of standard analog signals



Key Commercial Data

Packing unit	1 pc
GTIN	 4 017918 974848
GTIN	4017918974848
Weight per Piece (excluding packing)	68.600 g
Custom tariff number	85437090
Country of origin	Germany

Technical data

Dimensions

Width	6.2 mm
-------	--------

Loop-powered isolators - MINI MCR-SL-1CP-I-I - 2864419

Technical data

Dimensions

Height	93.1 mm
Depth	101.2 mm

Ambient conditions

Ambient temperature (operation)	-20 °C ... 65 °C
Ambient temperature (storage/transport)	-40 °C ... 85 °C
Degree of protection	IP20
Noise immunity	EN 61000-6-2 When being exposed to interference, there may be minimal deviations.

Input data

Description of the input	Current input
Number of inputs	1
Configurable/programmable	no
Current input signal	0 mA ... 20 mA 4 mA ... 20 mA
max. input voltage	18 V
Max. input current	40 mA
Response current	approx. 190 µA
Input voltage limitation	< 2 V (20 mA)
Voltage dissipation	1.9 V (I = 20 mA)

Output data

Output name	Current output
Number of outputs	1
Configurable/programmable	no
Current output signal	0 mA ... 20 mA 4 mA ... 20 mA
Load/output load current output	< 600 Ω (at I = 20 mA output signal)
Ripple	< 10 mV _{rms} (at 600 Ω)
Transmission Behavior	1:1 to input signal

Power supply

Supply voltage range	no separate supply voltage necessary
Power consumption	34 mW

Connection data

Connection method	Screw connection
Stripping length	12 mm
Screw thread	M3

Loop-powered isolators - MINI MCR-SL-1CP-I-I - 2864419

Technical data

Connection data

Conductor cross section solid	0.2 mm ² ... 2.5 mm ²
Conductor cross section flexible	0.2 mm ² ... 2.5 mm ²
Conductor cross section AWG	26 ... 12

General

No. of channels	1
Maximum transmission error	≤ 0.1 % (of final value)
Maximum temperature coefficient	≤ 0.002 %/K (of measured value / 100 Ω load)
Temperature coefficient, typical	< 0.002 %/K (of measured value / 100 Ω load)
Cold junction errors	≤
Typical cold point errors	≤
Additional error, load-dependent	< 0.03 % (of measured value / 100 Ω load)
Limit frequency (3 dB)	75 Hz
Step response (10-90%)	5 ms (at 600 Ω load)
Electrical isolation	Basic insulation according to EN 61010
Overvoltage category	II
Degree of pollution	2
Rated insulation voltage	50 V AC/DC
Test voltage input/output	1.5 kV (50 Hz, 1 min.)
Test voltage channel/channel	1.5 kV (50 Hz, 1 min.)
Electromagnetic compatibility	Conformance with EMC directive
Noise emission	EN 61000-6-4
Noise immunity	EN 61000-6-2 When being exposed to interference, there may be minimal deviations.
Color	green
Housing material	PBT
Mounting position	any
Assembly instructions	The T connector can be used to bridge the supply voltage. It can be snapped onto a 35 mm DIN rail according to EN 60715.
Conformance	CE-compliant
ATEX	# II 3 G Ex nA II T6 X
UL, USA/Canada	UL 508 Recognized
	Class I, Div. 2, Groups A, B, C, D
GL	GL EMC 2 D
Fire protection for rail vehicles (DIN EN 45545-2) R22	HL 1 - HL 2
Fire protection for rail vehicles (DIN EN 45545-2) R23	HL 1 - HL 2
Fire protection for rail vehicles (DIN EN 45545-2) R24	HL 1 - HL 2

EMC data

Loop-powered isolators - MINI MCR-SL-1CP-I-I - 2864419

Technical data

EMC data

Designation	Electromagnetic RF field
Standards/regulations	EN 61000-4-3
Evaluation criterion	A
Designation	Fast transients (burst)
Standards/regulations	EN 61000-4-4
Evaluation criterion	B
Designation	Conducted interferences
Standards/regulations	EN 61000-4-6
Evaluation criterion	A

Standards and Regulations

Electromagnetic compatibility	Conformance with EMC directive
Noise emission	EN 61000-6-4
Connection in acc. with standard	CUL
Standards/regulations	EN 61000-4-2
Designation	Electromagnetic RF field
Standards/regulations	EN 61000-4-3
Evaluation criterion	A
Standards/regulations	EN 61000-4-4
	EN 61000-4-5
Designation	Conducted interferences
Standards/regulations	EN 61000-4-6
Evaluation criterion	A
Electrical isolation	Basic insulation according to EN 61010
Conformance	CE-compliant
ATEX	# II 3 G Ex nA II T6 X
UL, USA/Canada	UL 508 Recognized
	Class I, Div. 2, Groups A, B, C, D
GL	GL EMC 2 D
Fire protection for rail vehicles (DIN EN 45545-2) R22	HL 1 - HL 2
Fire protection for rail vehicles (DIN EN 45545-2) R23	HL 1 - HL 2
Fire protection for rail vehicles (DIN EN 45545-2) R24	HL 1 - HL 2

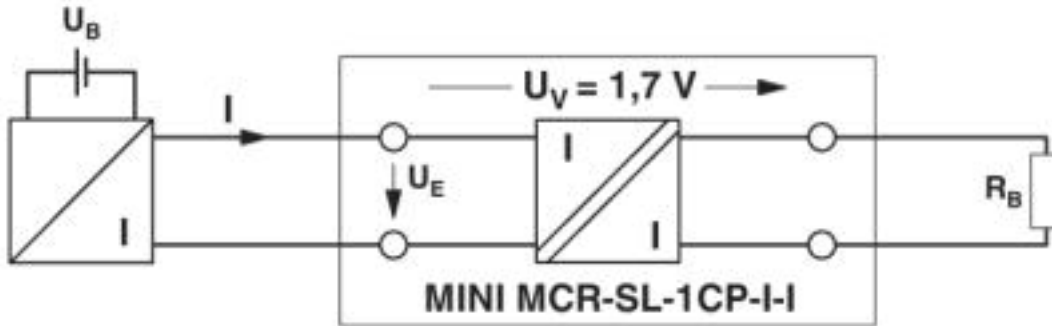
Environmental Product Compliance

China RoHS	Environmentally Friendly Use Period = 50
	For details about hazardous substances go to tab "Downloads", Category "Manufacturer's declaration"

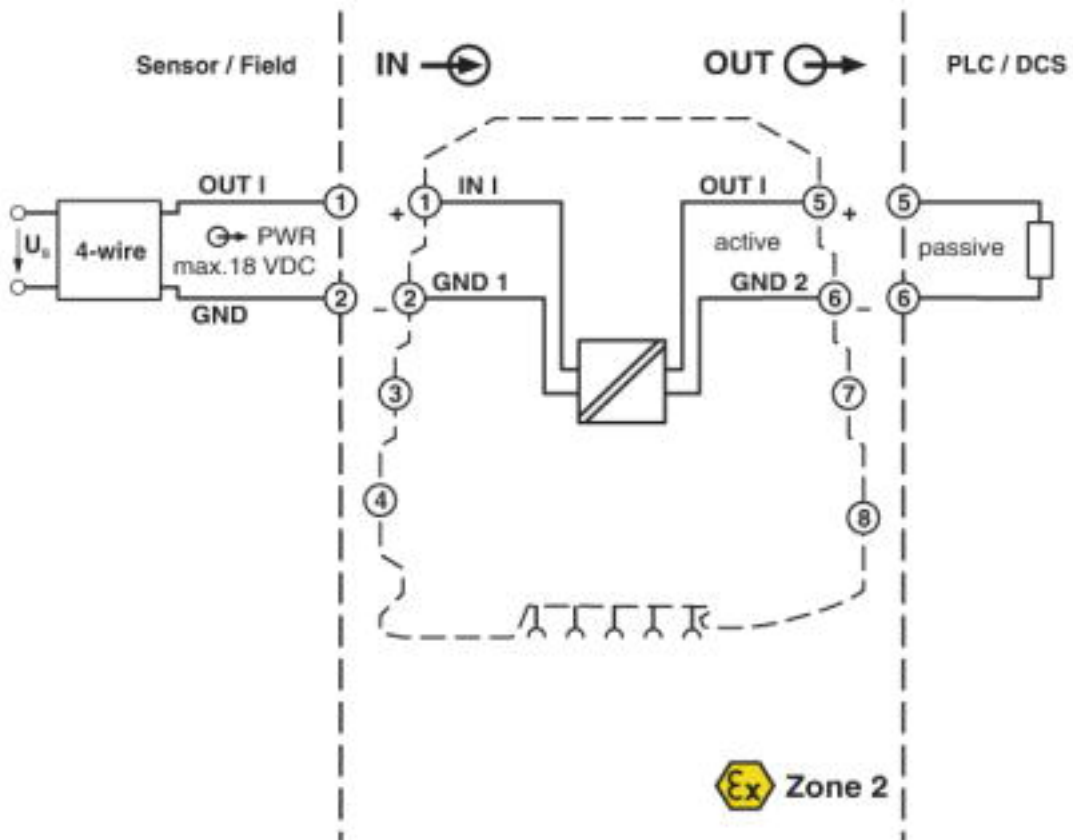
Drawings

Loop-powered isolators - MINI MCR-SL-1CP-I-I - 2864419

Application drawing

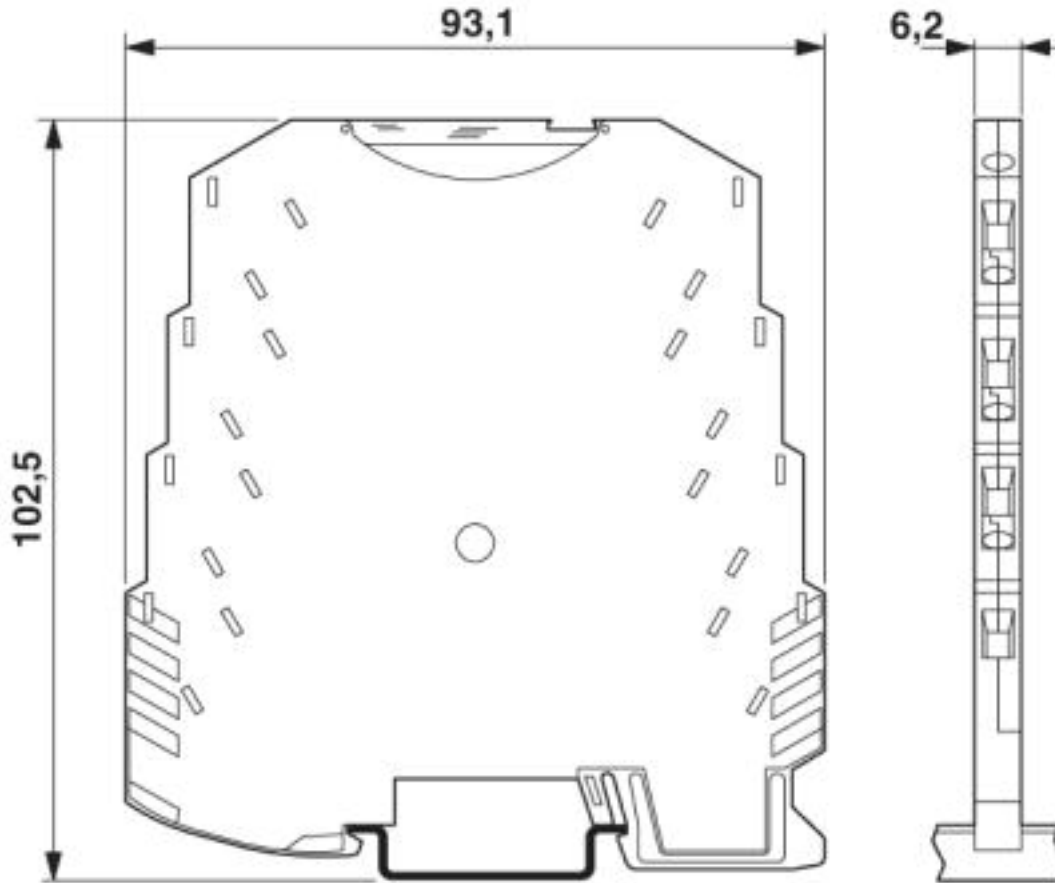


Block diagram



Loop-powered isolators - MINI MCR-SL-1CP-I-I - 2864419

Dimensional drawing



Classifications

eCl@ss

eCl@ss 4.0	27210100
eCl@ss 4.1	27210100
eCl@ss 5.0	27210100
eCl@ss 5.1	27210100
eCl@ss 6.0	27210100
eCl@ss 7.0	27210120
eCl@ss 8.0	27210120
eCl@ss 9.0	27210120

ETIM

ETIM 4.0	EC002653
ETIM 5.0	EC002653

Loop-powered isolators - MINI MCR-SL-1CP-I-I - 2864419

Classifications

ETIM

ETIM 6.0	EC002653
ETIM 7.0	EC002653

UNSPSC

UNSPSC 6.01	30211506
UNSPSC 7.0901	39121008
UNSPSC 11	39121008
UNSPSC 12.01	39121008
UNSPSC 13.2	39121008

Approvals

Approvals

Approvals

DNV GL / UL Recognized / cUL Recognized / cULus Recognized


Ex Approvals


ATEX / UL Recognized / cUL Recognized / EAC Ex / cULus Recognized

Approval details

DNV GL		https://approvalfinder.dnvgl.com/	TAA00000BW
--------	---	---	------------

UL Recognized		http://database.ul.com/cgi-bin/XYV/template/LISEXT/1FRAME/index.htm	FILE E 123528
---------------	---	---	---------------

cUL Recognized		http://database.ul.com/cgi-bin/XYV/template/LISEXT/1FRAME/index.htm	FILE E 123528
----------------	---	---	---------------

cULus Recognized			
------------------	---	--	--

<https://www.phoenixcontact.com/us/products/2864419>



Phoenix Contact 2019 © - all rights reserved
<http://www.phoenixcontact.com>



SCATTERGOOD & JOHNSON LTD

ELECTRICAL ENGINEERING & FLUID CONTROL DISTRIBUTORS

Est.1899

At Scattergood & Johnson Ltd, we pride ourselves on being a technical distributor to specialist industries.

Working with a range of quality product suppliers across a number of specialist markets, we are not your average 'box shifter' - we are your technical and supply chain partner.

We fully support every product we sell - for free! Our internal team and external sales engineers can answer any product or application question, no matter the complexity.

Backing up this technical ability is a range of 50,000+ products available from stock for nationwide next day delivery (same day if required!), or you can collect what you need from any of our trade counters around the UK.

Select your specialist interest below to learn more about how we can help.



Online, In Branch and On the Road - Scattergood & Johnson Ltd, there when you need us.

www.scatts.co.uk