

Monitoring relay - EMD-FL-RP-480 - 2900177

Please be informed that the data shown in this PDF Document is generated from our Online Catalog. Please find the complete data in the user's documentation. Our General Terms of Use for Downloads are valid (<http://phoenixcontact.com/download>)



Monitoring relay for effective power monitoring in 1- and 3-phase networks of 0...7.2 kW, underload, overload, window, motor winding temperature, error memory, supply voltage can be selected via power module, 2 PDTs

Product Description

Requirements pertaining to safety and system availability increase constantly – regardless of the industry. Processes are becoming more and more complex, not only in the mechanical engineering and chemical industry but also in system and automation technology. Demands on power engineering are also constantly on the rise.

Error-free and therefore cost-effective operation can only be achieved through continuous monitoring of important network and system parameters. The electronic monitoring relays of the EMD series are available for various monitoring tasks.


The operating states are indicated using colored LEDs, errors that may occur can be sent to a controller via a floating contact or can shut down a part of the system. Some device versions are equipped with startup and response delays in order to briefly tolerate measured values outside the set monitoring range.

Your advantages

- Temperature monitoring of the motor winding
- Monitoring range up to 7.2 kW
- Variable supply voltage range
- Detection of switched off loads
- Separately adjustable startup and response delays



Key Commercial Data

Packing unit	1 pc
GTIN	 4 046356 522632
GTIN	4046356522632
Weight per Piece (excluding packing)	300.000 g
Custom tariff number	85364900
Country of origin	Austria

Monitoring relay - EMD-FL-RP-480 - 2900177

Technical data

Dimensions

Width	45 mm
Height	90 mm
Depth	113 mm

Ambient conditions

Ambient temperature (operation)	-25 °C ... 55 °C
	-25 °C ... 40 °C (corresponds to UL 508)
Ambient temperature (storage/transport)	-25 °C ... 70 °C
Permissible humidity (operation)	15 % ... 85 %
Degree of protection	IP40 (Housing)
	IP20 (Connection terminal blocks)

Input data

Nominal input voltage U_N	480 V (3 N ~ 480/277 V)
Input voltage range	0 V AC ... 480 V AC (1(N) ~, single-phase load)
	0 V AC ... 480 V AC (3(N) ~, 3-phase load)
Input current range	0.15 A ... 6 A (Range: 0.75 kW and 1.5 kW)
	0.3 A ... 12 A (Range: 3 kW and 6 kW)
Overload capacity	12 A permanent
Maximum temperature coefficient	≤ 0.02 %/K
Function	Underload, overload, window, winding temperature monitoring
Min. setting range	5 % ... 110 % (of P_N)
Max. setting range	10 % ... 120 % (of P_N)
Setting range for response delay	0.1 s ... 50 s
Setting range for starting delay	1 s ... 100 s
Basic accuracy	± 2 % (of scale end value)
Setting accuracy	≤ 5 % (of scale end value)
Repeat accuracy	± 2 %
Total cold resistance	< 1.5 k Ω
Response value	≥ 3.6 k Ω (Relay drops out)
Release value	≤ 1.8 k Ω (Relay picks up)
Recovery time	500 ms

Contact side

Contact type	2 floating PDT contacts
Maximum switching voltage	250 V AC (in acc. with IEC 60664-1)
Interrupting rating (ohmic load) max.	750 VA (3 A/250 V AC, module aligned, ≤ 5 mm spacing)
	1250 VA (5 A/250 V AC, module not aligned, ≥ 5 mm spacing)

Monitoring relay - EMD-FL-RP-480 - 2900177

Technical data

Contact side

Output fuse	5 A (fast-blow)
-------------	-----------------

Power supply

Supply voltage range	110 V AC ... 500 V AC (see Power modules)
----------------------	---

General

Mechanical service life	approx. 2×10^7 cycles
Operating mode	100% operating factor
Mounting position	any
Assembly instructions	on standard DIN rail NS 35 in accordance with EN 60715
Housing insulation material	Polyamide PA, self-extinguishing
Color	green

Connection data

Connection method	Screw connection
Stripping length	8 mm
Conductor cross section solid	0.5 mm ² ... 2.5 mm ²
Conductor cross section flexible	0.25 mm ² ... 2.5 mm ²
Conductor cross section AWG	20 ... 14
Tightening torque	1 Nm

Standards and Regulations

Standards/regulations	EN 50178
Rated insulation voltage	300 V
Insulation	Basic insulation
Pollution degree	2
Overvoltage category	III

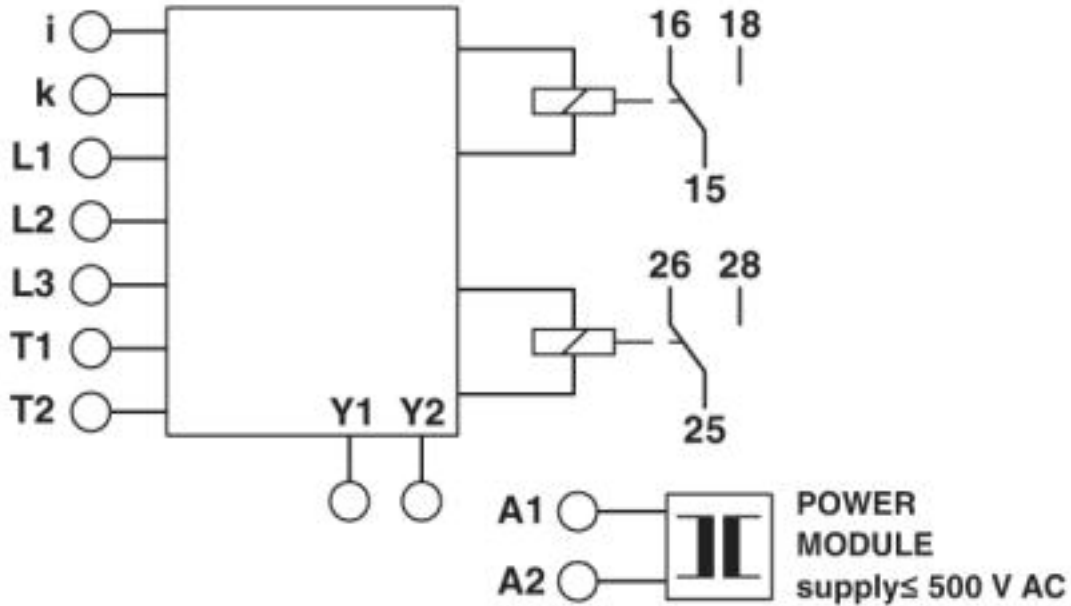
Environmental Product Compliance

China RoHS	Environmentally friendly use period: unlimited = EFUP-e
	No hazardous substances above threshold values

Drawings

Monitoring relay - EMD-FL-RP-480 - 2900177

Block diagram



Classifications

eCl@ss

eCl@ss 4.0	27250300
eCl@ss 4.1	27250300
eCl@ss 5.0	27371800
eCl@ss 5.1	27371800
eCl@ss 6.0	27371800
eCl@ss 7.0	27371806
eCl@ss 8.0	27371806
eCl@ss 9.0	27371806

ETIM

ETIM 3.0	EC001440
ETIM 4.0	EC001440
ETIM 5.0	EC001443
ETIM 6.0	EC001443
ETIM 7.0	EC001443

UNSPSC

UNSPSC 6.01	30211916
UNSPSC 7.0901	39121535

<https://www.phoenixcontact.com/us/products/2900177>

Monitoring relay - EMD-FL-RP-480 - 2900177

Classifications

UNSPSC

UNSPSC 11	39121535
UNSPSC 12.01	39121535
UNSPSC 13.2	39121106

Approvals

Approvals


Approvals

EAC / EAC

Ex Approvals

Approval details

EAC		TR_TS_D_00573_c
-----	---	-----------------

EAC		TR_TS_S_00010_c
-----	---	-----------------

Phoenix Contact 2019 © - all rights reserved
<http://www.phoenixcontact.com>



SCATTERGOOD & JOHNSON LTD

ELECTRICAL ENGINEERING & FLUID CONTROL DISTRIBUTORS

Est.1899

At Scattergood & Johnson Ltd, we pride ourselves on being a technical distributor to specialist industries.

Working with a range of quality product suppliers across a number of specialist markets, we are not your average 'box shifter' - we are your technical and supply chain partner.

We fully support every product we sell - for free! Our internal team and external sales engineers can answer any product or application question, no matter the complexity.

Backing up this technical ability is a range of 50,000+ products available from stock for nationwide next day delivery (same day if required!), or you can collect what you need from any of our trade counters around the UK.

Select your specialist interest below to learn more about how we can help.



Online, In Branch and On the Road - Scattergood & Johnson Ltd, there when you need us.

www.scatts.co.uk