

EMG ...-DIO .../LP

Lamp testing modules

INTERFACE

Data sheet
101174_en_01

© PHOENIX CONTACT - 11/2009



1 Description

Lamp test circuits, which decouple signals in isolation, should be implemented using two module versions:

- The diodes are connected in pairs and can be freely wired to the anode
- The anode of each diode pair is connected to a common connection point

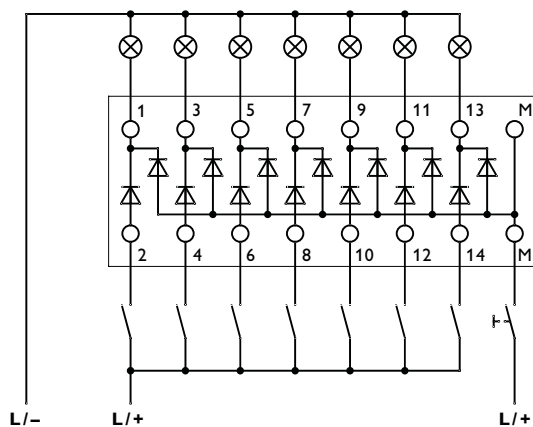


Figure 1 Lamp test circuit (EMG 45-DIO14M/LP)



NOTE:

Please note that there is no isolation between the individual diode paths within a module.



Make sure you always use the latest documentation.
It can be downloaded at www.phoenixcontact.net/download.



This data sheet is valid for all products listed on the following page:

2 Ordering data

Lamp testing modules

Description	Housing width	Type	Order No.	Pcs./Pkt.
Lamp testing modules, 2 diodes each with common cathode:				
4-pair version, for individual wiring	45 mm	EMG 45-DIO 8E/LP	2954798	5
7-pair version, with common control	45 mm	EMG 45-DIO14M/LP	2950132	5
8-pair version, for individual wiring	90 mm	EMG 90-DIO 16E/LP	2954808	5
16-pair version, with common control	90 mm	EMG 90-DIO 32M/LP	2954785	5

Accessories

Description	Type	Order No.	Pcs./Pkt.
Device marking label	EMG-GKS 12	2947035	50

3 Technical data

General data

Ambient temperature range	-20°C ... +50°C
Rated insulation voltage according to EN 50178	300 V
Pollution degree according to EN 50178	2
Surge voltage category according to EN 50178	3, basic insulation
Mounting position	Any
Installation	Can be aligned without spacing
Height	55 mm
Length	75 mm

Connection data

Conductor cross-section, solid	0.2 mm ² ... 4 mm ²
Conductor cross-section, stranded	0.2 mm ² ... 2.5 mm ²
Conductor cross-section, AWG	24 - 12
Stripping length	8 mm
Connection method	Screw connection

Diode data

	EMG 45-DIO 8E/LP, EMG 90-DIO 16E/LP	EMG 45-DIO14M/LP, EMG 90-DIO 32M/LP
Maximum operating voltage U _{max}	250 V AC	250 V AC
Peak reverse voltage per diode	1300 V	1300 V
Reverse current per diode	≤ 5 μA	≤ 5 μA
Conducting-state voltage per diode	0.8 V, approximately	0.8 V, approximately
Conducting-state current per diode		
With single load	0.7 A	0.7 A
With simultaneous load	0.4 A	0.2 A

Conformance/approvals

Conformance	CE-compliant
-------------	--------------

Conformance with Low Voltage Directive (LVD) 2006/95/EC

Electronic equipment according to	EN 50178
-----------------------------------	----------

4 Circuit diagram

4.1 Lamp testing module, can be wired individually

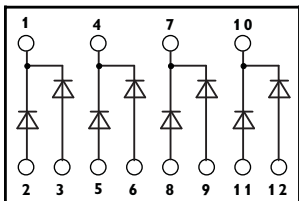


Figure 2 EMG 45-DIO 8E/LP

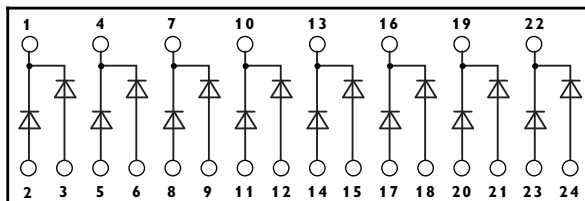


Figure 3 EMG 90-DIO 16E/LP

4.2 Lamp testing module, negative polarity

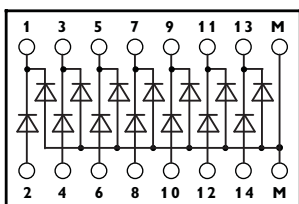


Figure 4 EMG 45-DIO14M/LP

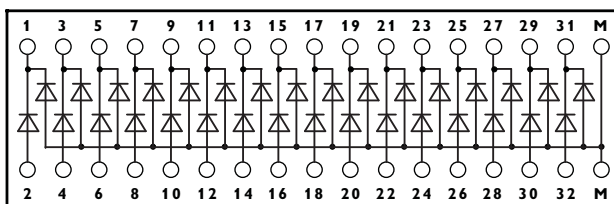


Figure 5 EMG 90-DIO 32M/LP



SCATTERGOOD & JOHNSON LTD

ELECTRICAL ENGINEERING & FLUID CONTROL DISTRIBUTORS

Est.1899

At Scattergood & Johnson Ltd, we pride ourselves on being a technical distributor to specialist industries.

Working with a range of quality product suppliers across a number of specialist markets, we are not your average 'box shifter' - we are your technical and supply chain partner.

We fully support every product we sell - for free! Our internal team and external sales engineers can answer any product or application question, no matter the complexity.

Backing up this technical ability is a range of 50,000+ products available from stock for nationwide next day delivery (same day if required!), or you can collect what you need from any of our trade counters around the UK.

Select your specialist interest below to learn more about how we can help.



Online, In Branch and On the Road - Scattergood & Johnson Ltd, there when you need us.

www.scatts.co.uk