

Safety relays - PSR-SCP-24-230UC/ESAM4/3X1/1X2 - 2981114

Please be informed that the data shown in this PDF Document is generated from our Online Catalog. Please find the complete data in the user's documentation. Our General Terms of Use for Downloads are valid (<http://phoenixcontact.com/download>)




Safety relay for emergency stop and safety door monitoring up to SIL 3 or Cat. 4, PL e according to EN ISO 13849, single or two-channel operation, 3 enabling current paths, nominal input voltage of 24 ... 230 V AC/DC, plug-in screw terminal blocks

Your advantages

- ✓ Up to Cat. 4/PL e according to ISO 13849-1, SILCL 3 according to IEC 62061, SIL 3 according to IEC 61508
- ✓ Single and two-channel control
- ✓ With inrush current reduction, therefore suitable for coupling to failsafe controllers (PSR-ESP4)
- ✓ With wide-range input (PSR-ESAM4/3X1)



Key Commercial Data

Packing unit	1 pc
GTIN	 4 046356 051644
GTIN	4046356051644

Technical data

Note

Utilization restriction	EMC: class A product, see manufacturer's declaration in the download area
-------------------------	---

Dimensions

Width	45 mm
Height	99 mm
Depth	114.5 mm

Ambient conditions

Ambient temperature (operation)	-20 °C ... 55 °C
Ambient temperature (storage/transport)	-25 °C ... 85 °C
Max. permissible relative humidity (operation)	75 % (on average, 85% infrequently, non-condensing)
Max. permissible humidity (storage/transport)	75 % (on average, 85% infrequently, non-condensing)

Safety relays - PSR-SCP-24-230UC/ESAM4/3X1/1X2 - 2981114

Technical data

Ambient conditions

Maximum altitude	≤ 2000 m (Above sea level)
------------------	----------------------------

Input data

Input voltage range	24 V AC/DC ... 230 V AC/DC
Input voltage range in reference to U_N	0.85 ... 1.1
Typical input current at U_N	120 mA (at 24 V DC)
	20 mA (at 120 V AC)
	10 mA (for 230 V AC)
Voltage at input/start and feedback circuit	approx. 24 V DC
Typical response time	50 ms (manual start)
	60 ms (automatic start)
Typ. starting time with U_s	500 ms (when controlled via A1)
Typical release time	20 ms (when controlled via S11/S12 and S21/S22)
	50 ms (at 24 V DC)
	110 ms (at 120 V AC)
	280 ms (for 230 V AC)
Concurrence input 1/2	∞
Recovery time	1 s
Operating voltage display	1 x green LED
Status display	2 x green LEDs
Protective circuit	Surge protection Suppressor diode and varistors
Maximum switching frequency	0.5 Hz
Max. permissible overall conductor resistance	11 Ω

Output data

Contact type	3 enabling current paths
	1 signaling current path
Contact material	AgSnO ₂ , + 0.2 μm Au
Maximum switching voltage	250 V AC/DC
Minimum switching voltage	10 V AC/DC
Limiting continuous current	6 A (N/O contact / N/C contact)
Maximum inrush current	6 A
Inrush current, minimum	10 mA
Sq. Total current	$50 \text{ A}^2 (I_{TH}^2 = I_1^2 + I_2^2 + \dots + I_N^2)$
Interrupting rating (ohmic load) max.	192 W (24 V DC, τ = 0 ms)
	384 W (48 V DC, τ = 0 ms)
	80 W (110 V DC, τ = 0 ms)
	66 W (220 V DC, τ = 0 ms)
	2000 VA (250 V AC, τ = 0 ms)
Maximum interrupting rating (inductive load)	48 W (24 V DC, τ = 40 ms)
	48 W (48 V DC, τ = 40 ms)

Safety relays - PSR-SCP-24-230UC/ESAM4/3X1/1X2 - 2981114

Technical data

Output data

	48 W (110 V DC, $\tau = 40$ ms)
	48 W (220 V DC, $\tau = 40$ ms)
Switching capacity min.	360 mW
Mechanical service life	approx. 10^7 cycles
Switching capacity (360/h cycles)	4 A (24 V (DC13))
	4 A (230 V (AC15))
Output fuse	6 A gG NEOZED
	B6/C4A gL/gG automatic device

General

Relay type	Electromechanical relay with forcibly guided contacts in accordance with EN 50205
Nominal operating mode	100% operating factor
Net weight	305.48 g
Mounting position	any
Mounting type	DIN rail mounting
Degree of protection	IP20
	IP54
Min. degree of protection of inst. location	IP54
Housing color	yellow

Connection data

Connection method	Screw connection
pluggable	Yes
Conductor cross section solid min.	0.2 mm ²
Conductor cross section solid max.	2.5 mm ²
Conductor cross section flexible min.	0.2 mm ²
Conductor cross section flexible max.	2.5 mm ²
Conductor cross section AWG min.	24
Conductor cross section AWG max.	12
Stripping length	7 mm
Screw thread	M3

Safety-related characteristic data

Stop category	0
Designation	IEC 61508 - High demand
Safety Integrity Level (SIL)	3
Designation	IEC 61508 - Low demand
Safety Integrity Level (SIL)	3
Designation	EN ISO 13849
Performance level (PL)	e
Category	4

Safety relays - PSR-SCP-24-230UC/ESAM4/3X1/1X2 - 2981114

Technical data

Safety-related characteristic data

Designation	EN 62061
Safety Integrity Level Claim Limit (SIL CL)	3

Standards and Regulations

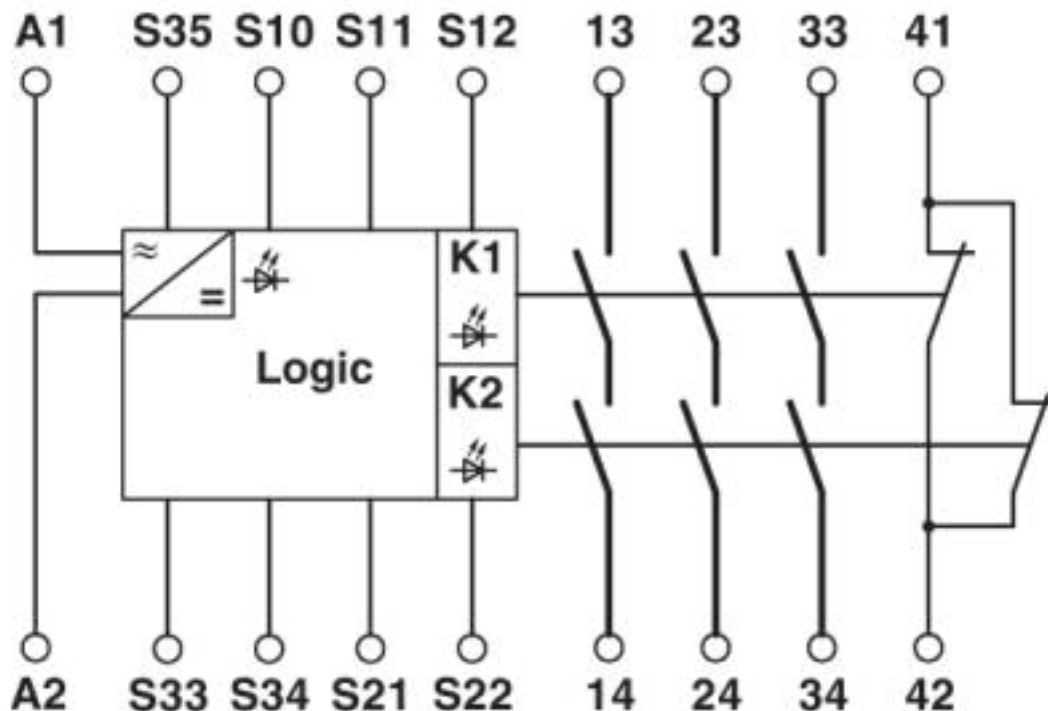
Designation	Air clearances and creepage distances between the power circuits
Standards/regulations	DIN EN 50178/VDE 0160
Rated insulation voltage	250 V AC
Rated surge voltage/insulation	6 kV/safe isolation, reinforced insulation and 6 kV between input circuits and output contact current paths (13/14, 23/24, 33/34), as well as between output contact current paths (13/14, 23/24, 33/34).
Degree of pollution	2
Overvoltage category	III
Shock	15g
Vibration (operation)	10 Hz ... 150 Hz, 2g

Environmental Product Compliance

China RoHS	Environmentally Friendly Use Period = 50
	For details about hazardous substances go to tab "Downloads", Category "Manufacturer's declaration"

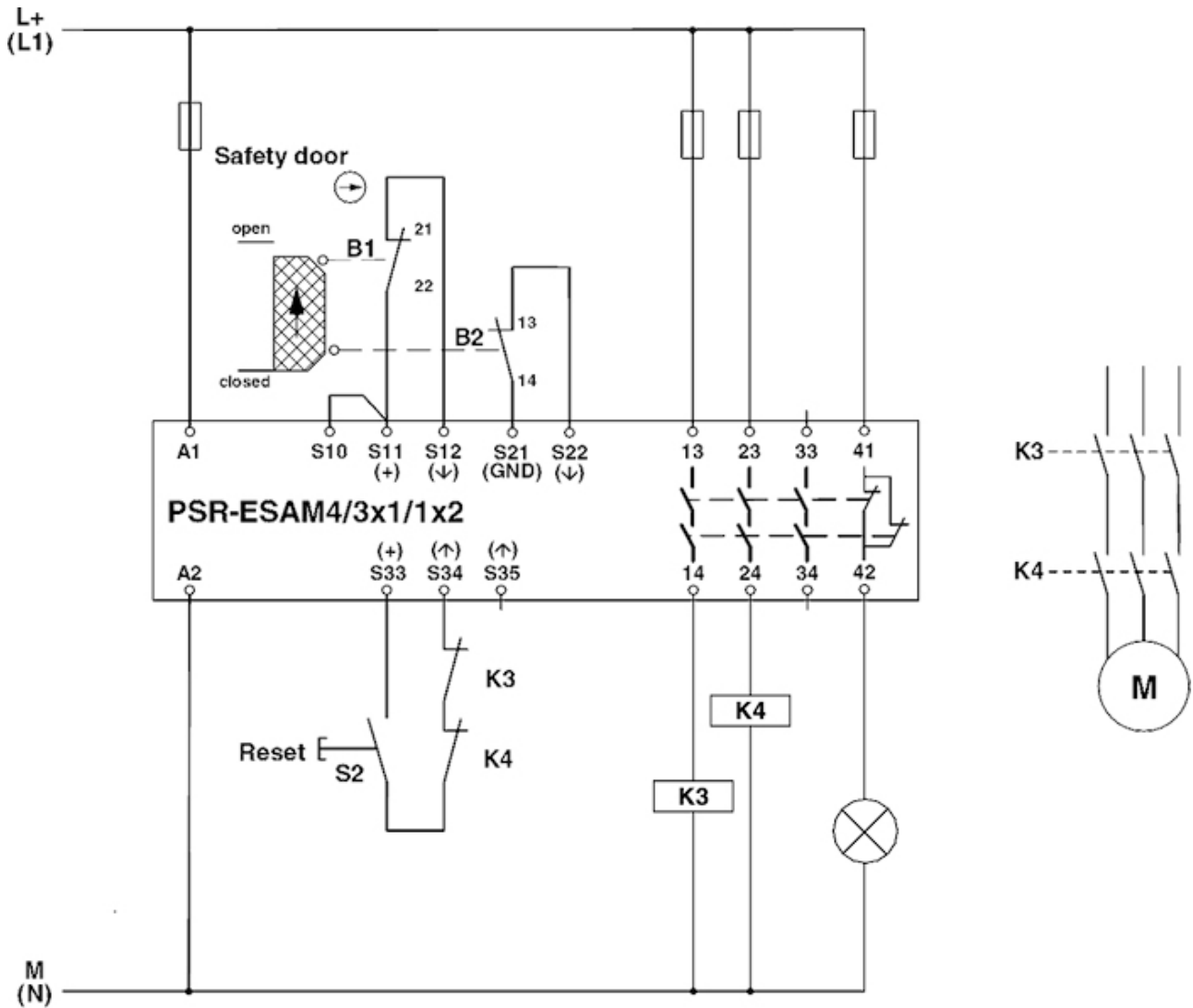
Drawings

Circuit diagram



Safety relays - PSR-SCP-24-230UC/ESAM4/3X1/1X2 - 2981114

Circuit diagram



<https://www.phoenixcontact.com/pi/products/2981114>



Phoenix Contact 2019 © - all rights reserved
<http://www.phoenixcontact.com>

PHOENIX CONTACT GmbH & Co. KG
Flachsmarktstr. 8
32825 Blomberg
Germany
Tel. +49 5235 300
Fax +49 5235 3 41200
<http://www.phoenixcontact.com>



SCATTERGOOD & JOHNSON LTD

ELECTRICAL ENGINEERING & FLUID CONTROL DISTRIBUTORS

Est.1899

At Scattergood & Johnson Ltd, we pride ourselves on being a technical distributor to specialist industries.

Working with a range of quality product suppliers across a number of specialist markets, we are not your average 'box shifter' - we are your technical and supply chain partner.

We fully support every product we sell - for free! Our internal team and external sales engineers can answer any product or application question, no matter the complexity.

Backing up this technical ability is a range of 50,000+ products available from stock for nationwide next day delivery (same day if required!), or you can collect what you need from any of our trade counters around the UK.

Select your specialist interest below to learn more about how we can help.



Online, In Branch and On the Road - Scattergood & Johnson Ltd, there when you need us.

www.scatts.co.uk