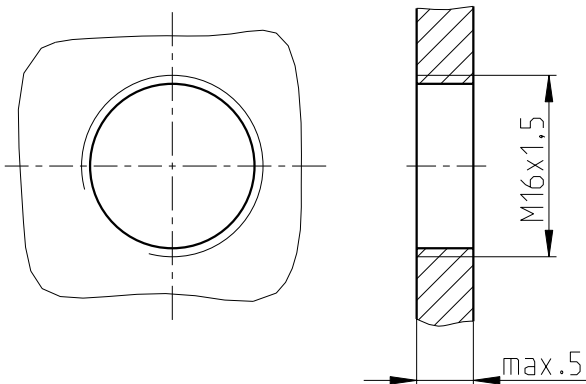
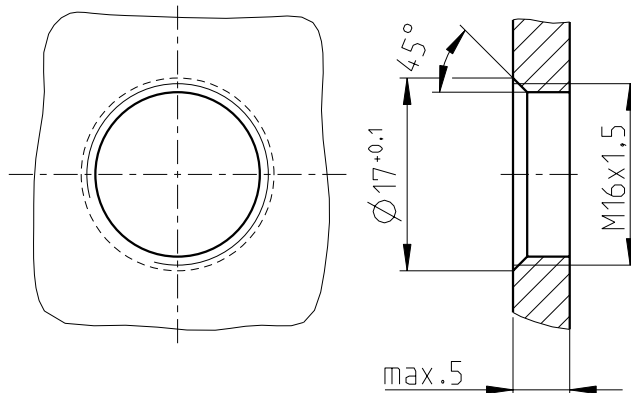


# Installation recommendation M16x1,5 for SACC.... design DSI

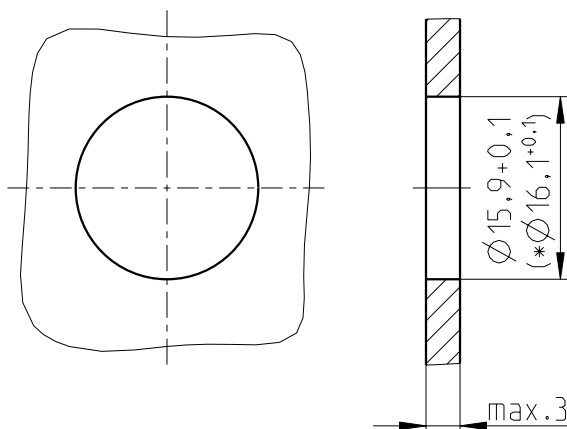
mounting with flat gasket  
(thread without chamfer)  
can be screwed from the rear



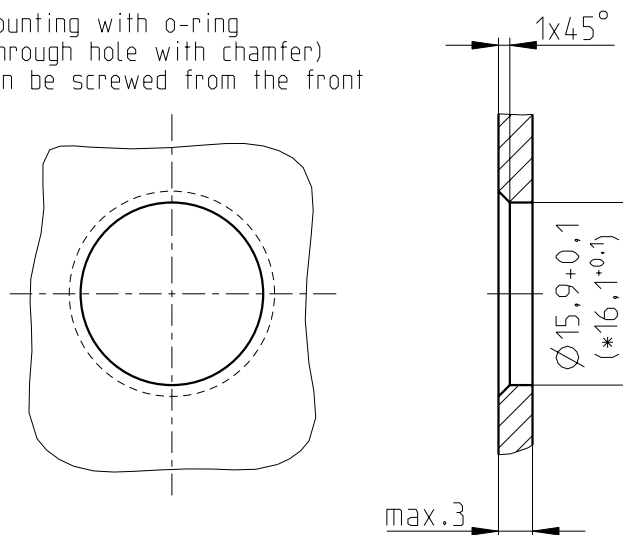
mounting with o-ring  
(thread with chamfer)  
can be screwed from the rear



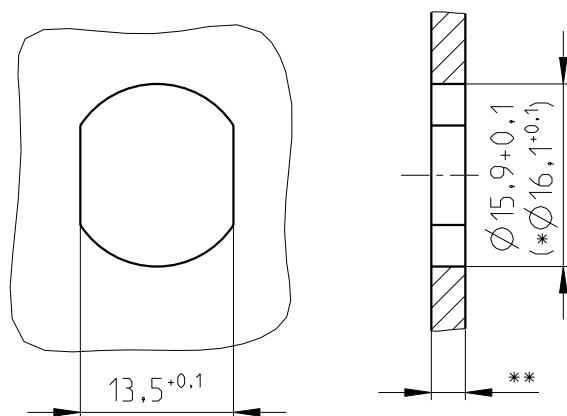
mounting with flat gasket  
(through hole without chamfer)  
can be screwed from the front



mounting with o-ring  
(through hole with chamfer)  
can be screwed from the front



mounting with flat gasket or o-ring  
(cut-out with anti-twist protection without chamfer)  
can be screwed from the front



Installation recommendation only valid for housings with bevels (anti-twist protection)!

tightening torque:  
flat gasket 2-3Nm  
o-ring 3-4Nm

\*  $\varnothing 16,1+0,1$  at centered mounting  
\*\* Front panel thickness max.3mm.  
If <2mm technical features could be limited.

The copying, distribution and utilization of this document as well as the communication of the contents to others without expressed authorization is prohibited according to §18 UWG German Law. Offenders will be held liable for the payment of damages according to §19 UWG German Law. All rights reserved, in particular the right to carry out patent, utility model or ornamental design registrations.

Weitergabe sowie Vervielfältigung dieses Dokuments, Verwertung und Mitteilung seines Inhalts gem §18 UWG verboten, soweit nicht ausdrücklich gestattet. Zuwiderhandlungen verpflichten zu Schadenersatz (§19 UWG). Alle Rechte vorbehalten, insbesondere das Recht, Patent-, Gebrauchsmuster- oder Geschmacksmusteranmeldungen durchzuführen. CONINVERS GmbH Heisenbergstrasse 1 D-71083 Herrenberg

	data	name
design	2012-02-21	Thumm



technical changes reserved

doc.-no.: 00662223

Index 3 / 2018-12-10



# SCATTERGOOD & JOHNSON LTD

ELECTRICAL ENGINEERING & FLUID CONTROL DISTRIBUTORS

Est.1899

At Scattergood & Johnson Ltd, we pride ourselves on being a technical distributor to specialist industries.

Working with a range of quality product suppliers across a number of specialist markets, we are not your average 'box shifter' - we are your technical and supply chain partner.

We fully support every product we sell - for free! Our internal team and external sales engineers can answer any product or application question, no matter the complexity.

Backing up this technical ability is a range of 50,000+ products available from stock for nationwide next day delivery (same day if required!), or you can collect what you need from any of our trade counters around the UK.

Select your specialist interest below to learn more about how we can help.



Online, In Branch and On the Road - Scattergood & Johnson Ltd, there when you need us.

# [www.scatts.co.uk](http://www.scatts.co.uk)