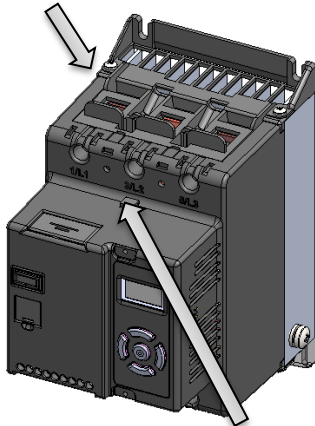


Fan (VMX-AGY-030)

VMX-AGY-030 increases the number of starts to 40/hour. The fan operates automatically during a soft start or soft stop and will continue to run if the heatsink temperature is $> 45^{\circ}\text{C}$. The fan stops when the heatsink temperature has fallen below 40°C .

Fitting

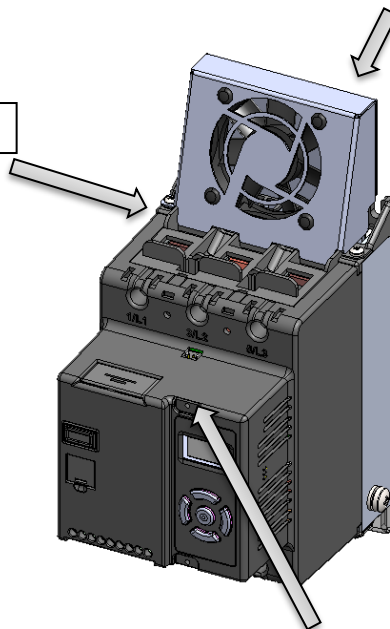
Step 1. Remove screw (x1) and retain



Step 2. Remove blanking plug (x1)

Step 4. Replace screw (x1)

Step 3. Fit fan as shown



Step 5. Fit flying lead from fan into socket



SCATTERGOOD & JOHNSON LTD

ELECTRICAL ENGINEERING & FLUID CONTROL DISTRIBUTORS

Est.1899

At Scattergood & Johnson Ltd, we pride ourselves on being a technical distributor to specialist industries.

Working with a range of quality product suppliers across a number of specialist markets, we are not your average 'box shifter' - we are your technical and supply chain partner.

We fully support every product we sell - for free! Our internal team and external sales engineers can answer any product or application question, no matter the complexity.

Backing up this technical ability is a range of 50,000+ products available from stock for nationwide next day delivery (same day if required!), or you can collect what you need from any of our trade counters around the UK.

Select your specialist interest below to learn more about how we can help.



Online, In Branch and On the Road - Scattergood & Johnson Ltd, there when you need us.

www.scatts.co.uk