

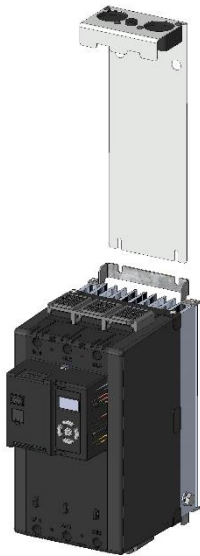
Fan (VMX-AGY-031)

VMX-AGY-031 is designed for models VMX-AGY-201 to VMX-AGY-209. It increases the number of start/stop cycles per hour (see table below). The fan operates automatically during a soft start or soft stop and will continue to run if the heatsink temperature is $> 45^{\circ}\text{C}$. The fan stops when the heatsink temperature has fallen below 40°C .

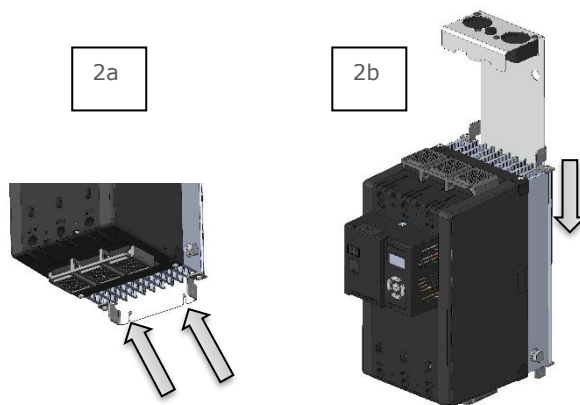
VMX-agility model	Maximum duty cycle F-S with optional fan fitted
VMX-AGY-201 / VMX-AGY-203	90-40 (40 cycles per hour)
VMX-AGY-205	90-30 (30 cycles per hour)
VMX-AGY-207	90-20 (20 cycles per hour)
VMX-AGY-209	90-10 (10 cycles per hour)

Fitting

Step 1. Position the assembly at the top on the VMX-agility unit



Step 2. Loosen the two lower mounting screws (2a) and slide the fan assembly downward between the mounting bracket and the heatsink fins (2b)



Step 3. When the fan assembly is fully home and the lower plate of the assembly has engaged with the lower mounting screws, re-tighten the mounting screws fully.



Step 4. Remove the blanking plug and insert the flying lead from the fan assembly into the socket as indicated below.





SCATTERGOOD & JOHNSON LTD

ELECTRICAL ENGINEERING & FLUID CONTROL DISTRIBUTORS

Est.1899

At Scattergood & Johnson Ltd, we pride ourselves on being a technical distributor to specialist industries.

Working with a range of quality product suppliers across a number of specialist markets, we are not your average 'box shifter' - we are your technical and supply chain partner.

We fully support every product we sell - for free! Our internal team and external sales engineers can answer any product or application question, no matter the complexity.

Backing up this technical ability is a range of 50,000+ products available from stock for nationwide next day delivery (same day if required!), or you can collect what you need from any of our trade counters around the UK.

Select your specialist interest below to learn more about how we can help.



Online, In Branch and On the Road - Scattergood & Johnson Ltd, there when you need us.

www.scatts.co.uk