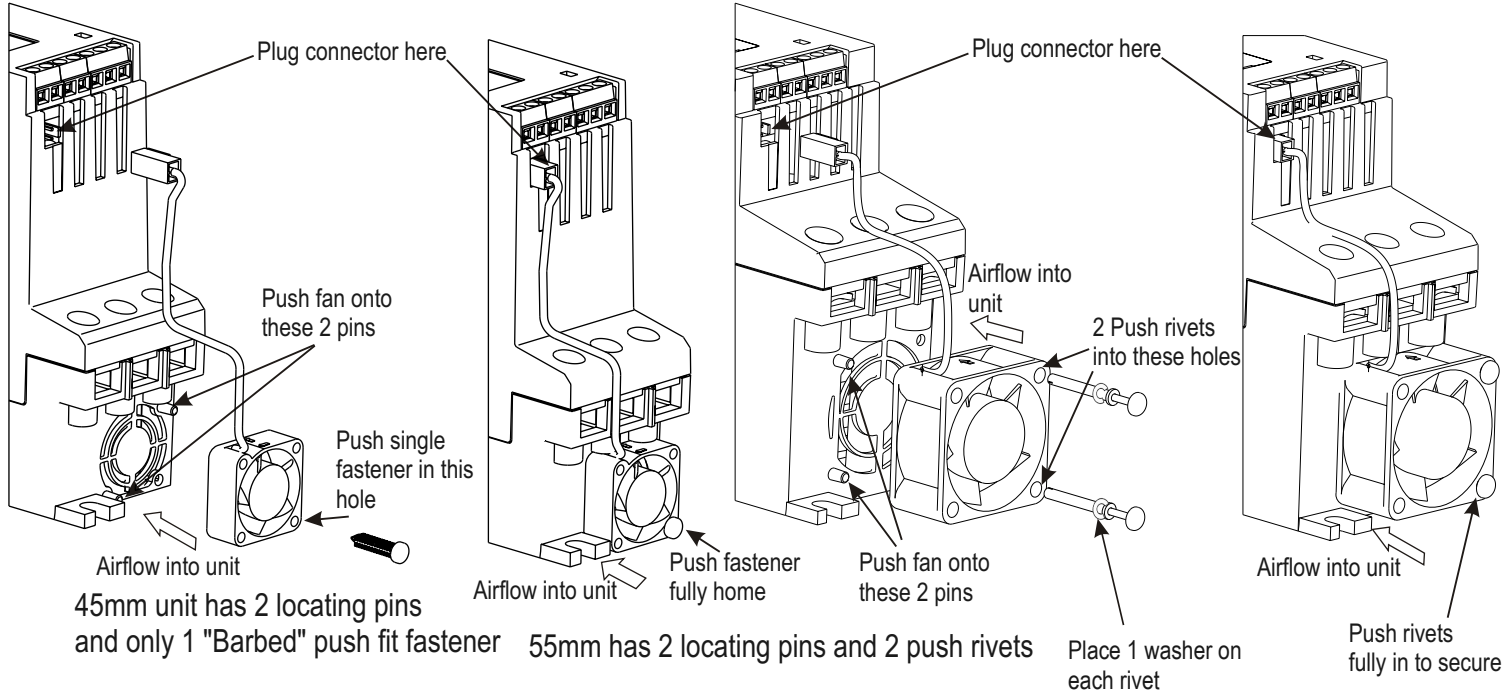


Auxiliary Fan Attachment for 45mm & 55mm wide JAL!PFE Digital Soft Starters

MAN-PFE-007



VMX-PFE Soft Starters automatically detect fan connections, and adjust their operation accordingly.

Unit width	Fan Kit part No.	Fan Size	Fan volts
45mm	PFEFAN01	25mm x 25mm	12V
55mm	PFEFAN02	40mm x 40mm	24V

MAN-PFE-007-V01



SCATTERGOOD & JOHNSON LTD

ELECTRICAL ENGINEERING & FLUID CONTROL DISTRIBUTORS

Est.1899

At Scattergood & Johnson Ltd, we pride ourselves on being a technical distributor to specialist industries.

Working with a range of quality product suppliers across a number of specialist markets, we are not your average 'box shifter' - we are your technical and supply chain partner.

We fully support every product we sell - for free! Our internal team and external sales engineers can answer any product or application question, no matter the complexity.

Backing up this technical ability is a range of 50,000+ products available from stock for nationwide next day delivery (same day if required!), or you can collect what you need from any of our trade counters around the UK.

Select your specialist interest below to learn more about how we can help.



Online, In Branch and On the Road - Scattergood & Johnson Ltd, there when you need us.

www.scatts.co.uk