

Electronic Audible Signal Devices / Electronic Buzzers Installation 107
Electr. Buzzer EM Contin. tone 230VAC BK



Part No.: 107.000.68



| MECHANICAL DATA | |
|------------------------------|-----------------------------|
| Height | 49 mm |
| Diameter | 28 mm |
| Materials | PA-GF |
| Housing colour | Black |
| Protection category | IP65 |
| Connection | Screw terminals |
| cross-sectional area maximum | 1,50mm ² / 16AWG |
| Type of fixing | Built-in mounting |
| Service life optical | 5,000 h minimum |
| Acoustic service life | 5,000 h minimum |
| Working temperature minimum | -20°C |
| Working temperature maximum | +50°C |
| UL Type Rating | Type 4X |
| Weight with packaging | 32 g |
| Product weight | 20 g |

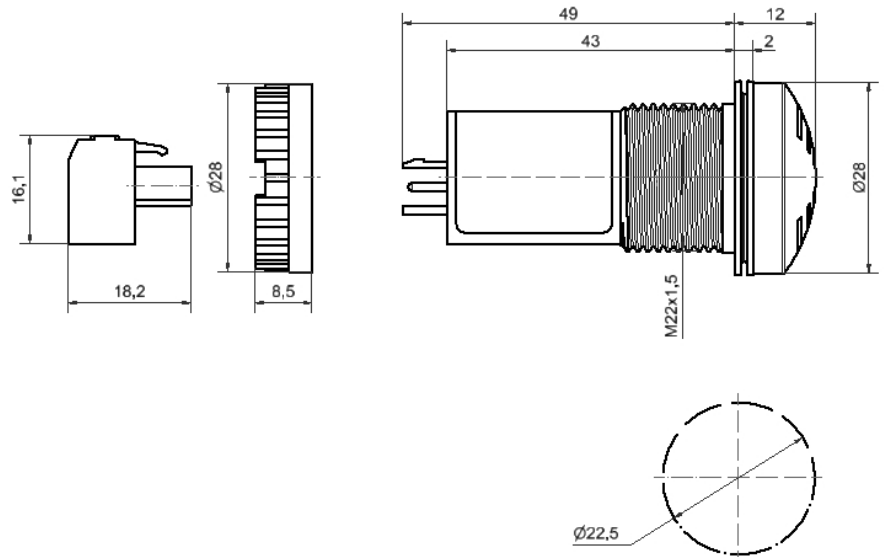
| ELECTRICAL DATA | |
|-----------------------------|--------------------------------|
| Operating voltage | 230V |
| Operating voltage type | AC |
| Operating voltage type | 50Hz |
| Operating voltage tolerance | +/- 10% |
| Rated operational voltage | 230 VAC |
| Rated operational current | 8 mA |
| Rated inrush current | 500 mA |
| Protection class | Protection class 2 |
| Pollution degree | 3 In the connection area: 2 |
| Overvoltage category | II |
| Isolation voltage | Ui = 250V; Uimp = 2.500V |

| ACUSTICAL DATA | |
|-------------------------------|-----------------|
| Volume/dB(max) at 1m distance | 80,0 dB (A) |
| Acoustic signal image | Continuous tone |
| Audio frequency | 2400 Hz |

! For additional installation and mounting information, refer to the appropriate user guide at www.werma.com. This printed copy is for information only and is subject to alteration.

Electronic Audible Signal Devices / Electronic Buzzers Installation 107
Electr. Buzzer EM Contin. tone 230VAC BK

DRAWING



! For additional installation and mounting information, refer to the appropriate user guide at www.werma.com. This printed copy is for information only and is subject to alteration.