

Design multi-tone sounder / Multi-t.sounder 140
Multi-t.sounder WM 32 tne 9-28VDC WH



Part No.: 140.950.50



MECHANICAL DATA	
Height	110 mm
Diameter	100 mm
Materials	PC/ABS
Housing colour	White
Protection category	IP65
Connection	Screw terminals
cross-sectional area maximum	2,50mm ² / 14AWG
Cable entry	Through hole
Type of fixing	Wall mounting
Acoustic service life	5,000 h minimum
Working temperature minimum	-40°C
Working temperature maximum	+70°C
Weight with packaging	315 g
Product weight	272 g

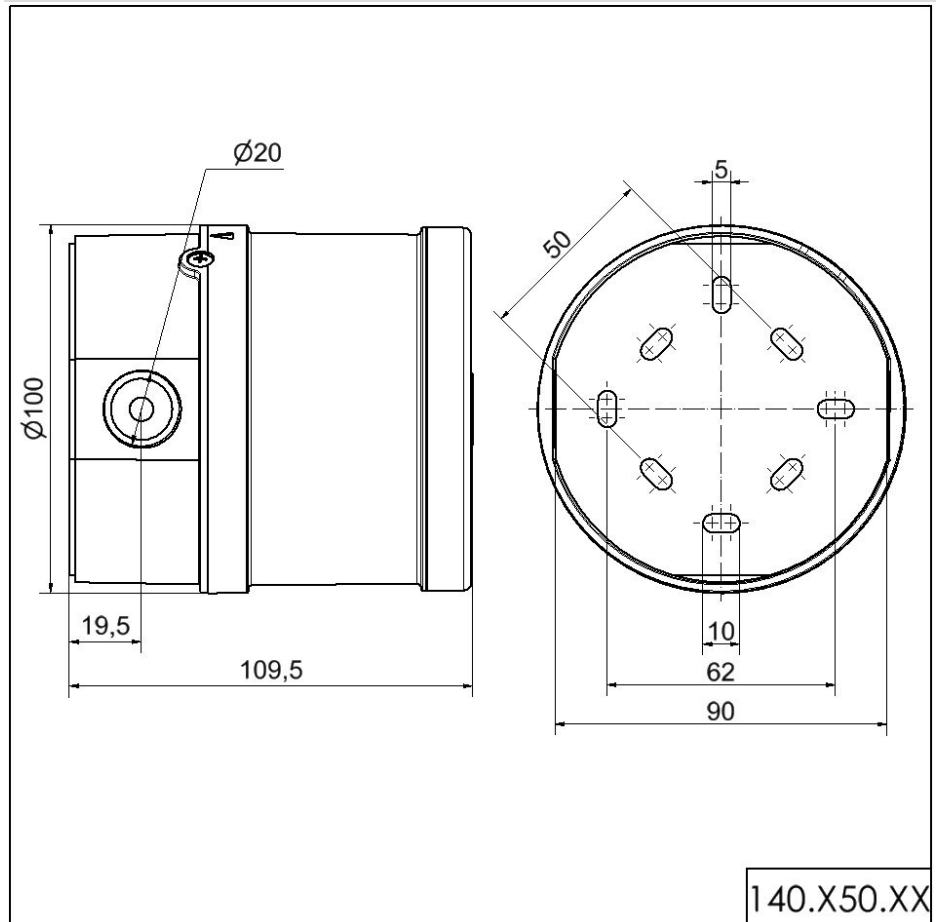
ELECTRICAL DATA	
Operating voltage	9-28V
Operating voltage type	DC
Operating voltage tolerance	+/- 0%
Rated operational voltage	24 VDC
Rated operational current	120 mA
Rated inrush current	1.400 mA
Protection class	Protection class 2
Pollution degree	3

ACUSTICAL DATA	
Volume/dB(max) at 1m distance	115,0 dB (A)
Acoustic signal image	Multi-tone
Number of tones	32 tone

! For additional installation and mounting information, refer to the appropriate user guide at www.werma.com. This printed copy is for information only and is subject to alteration.

Design multi-tone sounder / Multi-t.sounder 140
Multi-t.sounder WM 32 tne 9-28VDC WH

DRAWING



For additional installation and mounting information, refer to the appropriate user guide at www.werma.com. This printed copy is for information only and is subject to alteration.