

LED Light / LED Traffic Light 890 / Accessories
Multi-t.sounder WM 32 tne 230VAC GY



Part No.: 190.000.68



| MECHANICAL DATA | |
|------------------------------|-------------------------------------|
| Width | 127 mm |
| Height | 169 mm |
| Diameter | 150 mm |
| Materials | PC/ABS |
| Housing colour | Grey |
| Protection category | IP65 |
| Connection | Screw terminals |
| cross-sectional area minimum | 0,50mm ² / 20AWG |
| cross-sectional area maximum | 1,50mm ² / 16AWG |
| Cable entry | Rubber pinch Screwed cable gland |
| Cable entry minimum | d = 6 mm |
| Cable entry maximum | d = 12 mm |
| Tension relief | Present (conforms to VDI) |
| Type of fixing | Wall mounting |
| Service life optical | 5,000 h minimum |
| Acoustic service life | 5,000 h minimum |
| Working temperature minimum | -30°C |
| Working temperature maximum | +50°C |
| Weight with packaging | 713 g |
| Product weight | 713 g |

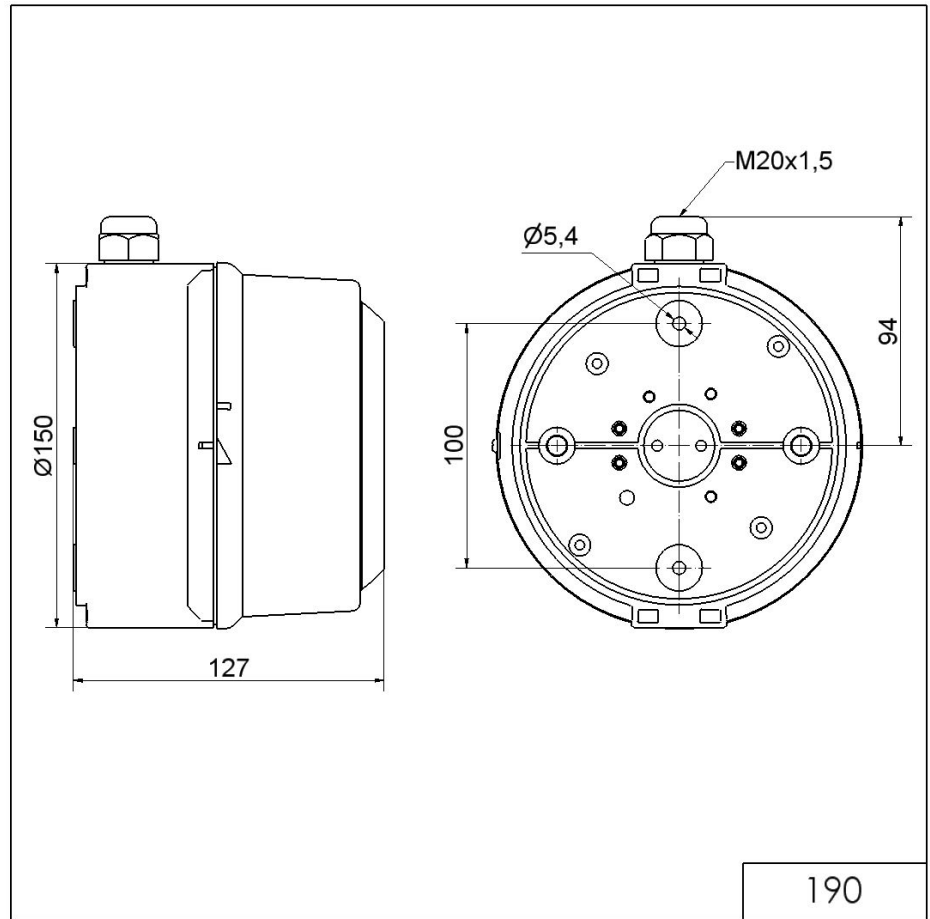
| ELECTRICAL DATA | |
|-----------------------------|--------------------------|
| Operating voltage | 230V |
| Operating voltage type | AC |
| Operating voltage type | 50Hz |
| Operating voltage tolerance | +/- 10% |
| Rated operational voltage | 230 VAC |
| Rated operational current | 30 mA |
| Rated inrush current | 30 mA |
| Protection class | Protection class 2 |
| Pollution degree | 3 |
| Overvoltage category | II |
| Isolation voltage | Ui = 250V; Uimp = 2.500V |

| ACUSTICAL DATA | |
|-------------------------------|--------------|
| Volume/dB(max) at 1m distance | 110,0 dB (A) |
| Acoustic signal image | Multi-tone |
| Number of tones | 32 tone |

! For additional installation and mounting information, refer to the appropriate user guide at www.werma.com. This printed copy is for information only and is subject to alteration.

LED Light / LED Traffic Light 890 / Accessories
Multi-t.sounder WM 32 tne 230VAC GY

DRAWING



! For additional installation and mounting information, refer to the appropriate user guide at www.werma.com. This printed copy is for information only and is subject to alteration.