

Mini installation beacon / Permanent Light 206 Permanent Beacon EM 12-48VAC/DC CL

Part No.: 206.400.00



MECHANICAL DATA

Height	87 mm
Diameter	57 mm
Materials	PA-GF PC
Dome colour	Clear
Housing colour	Black
Protection category	IP65
Connection	Flat plug
Type of fixing	Built-in mounting
Service life optical	depends on bulb
Working temperature minimum	-20°C
Working temperature maximum	+50°C
UL Type Rating	Type 12
Weight with packaging	61 g
Product weight	39 g

ELECTRICAL DATA

Operating voltage	12-48V
Operating voltage type	AC/DC
Operating voltage type	50Hz
Operating voltage tolerance	+/- 0%
Rated operational voltage	24 VDC
Protection class	Protection class 2
Pollution degree	3 In the connection area: 2

OPTICAL DATA

Light colour	White
--------------	-------

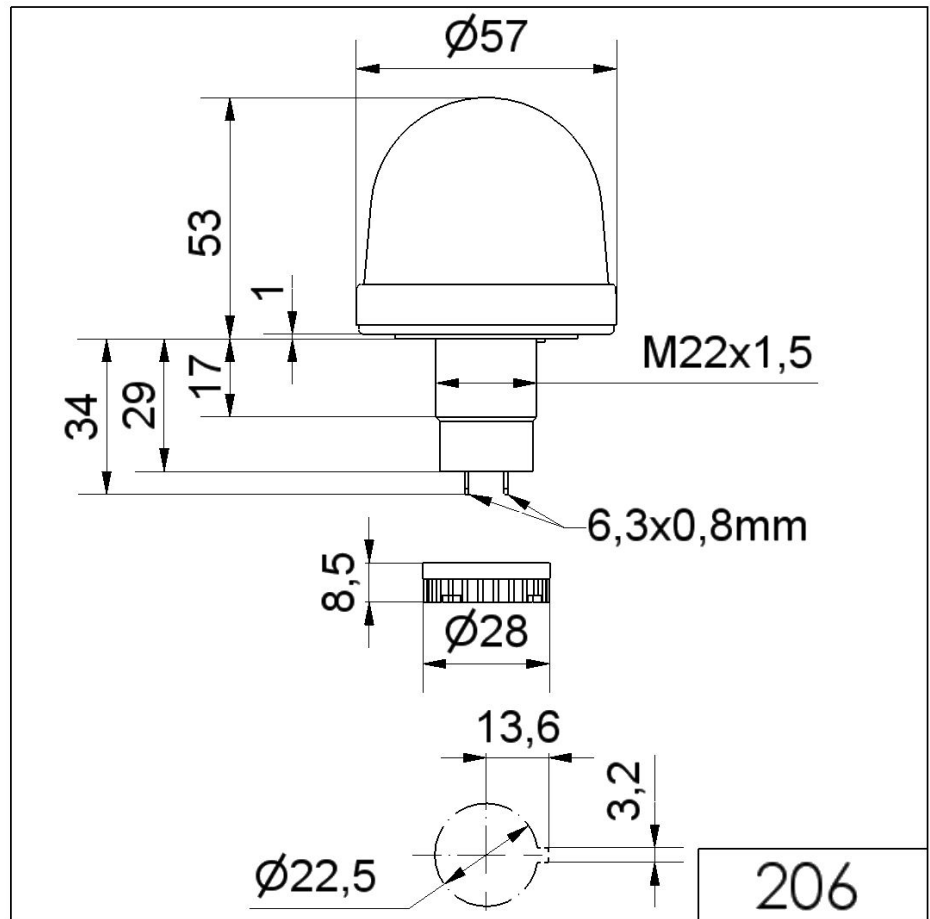


For additional installation and mounting information, refer to the appropriate user guide at www.werma.com. This printed copy is for information only and is subject to alteration.

Mini installation beacon / Permanent Light 206

Permanent Beacon EM 12-48VAC/DC CL

DRAWING



! For additional installation and mounting information, refer to the appropriate user guide at www.werma.com. This printed copy is for information only and is subject to alteration.