

Micro installation beacon / LED Beacon 230
LED Perm. Beacon EM 230VAC RD

Part No.: 230.100.68



MECHANICAL DATA

| | |
|-----------------------------|---|
| Height | 154 mm |
| Diameter | 29 mm |
| Materials | PC PC/ABS |
| Dome colour | Red |
| Housing colour | Black |
| Protection category | IP65 |
| Connection | Stranded wires (tinned) Stranded wires with ferrules |
| Cable length | 115 mm |
| Type of fixing | Built-in mounting |
| Service life optical | 100,000 h maximum |
| Working temperature minimum | -20°C |
| Working temperature maximum | +50°C |
| UL Type Rating | Type 12 |
| Weight with packaging | 18 g |
| Product weight | 12 g |

ELECTRICAL DATA

| | |
|-----------------------------|--------------------------------|
| Operating voltage | 230V |
| Operating voltage type | AC |
| Operating voltage type | 50Hz |
| Operating voltage tolerance | +/- 10% |
| Rated operational voltage | 230 VAC |
| Rated operational current | 20 mA |
| Rated inrush current | 500 mA |
| Protection class | Protection class 2 |
| Pollution degree | 3 In the connection area: 2 |
| Overvoltage category | II |
| Isolation voltage | Ui = 250V; Uimp = 2.500V |

OPTICAL DATA

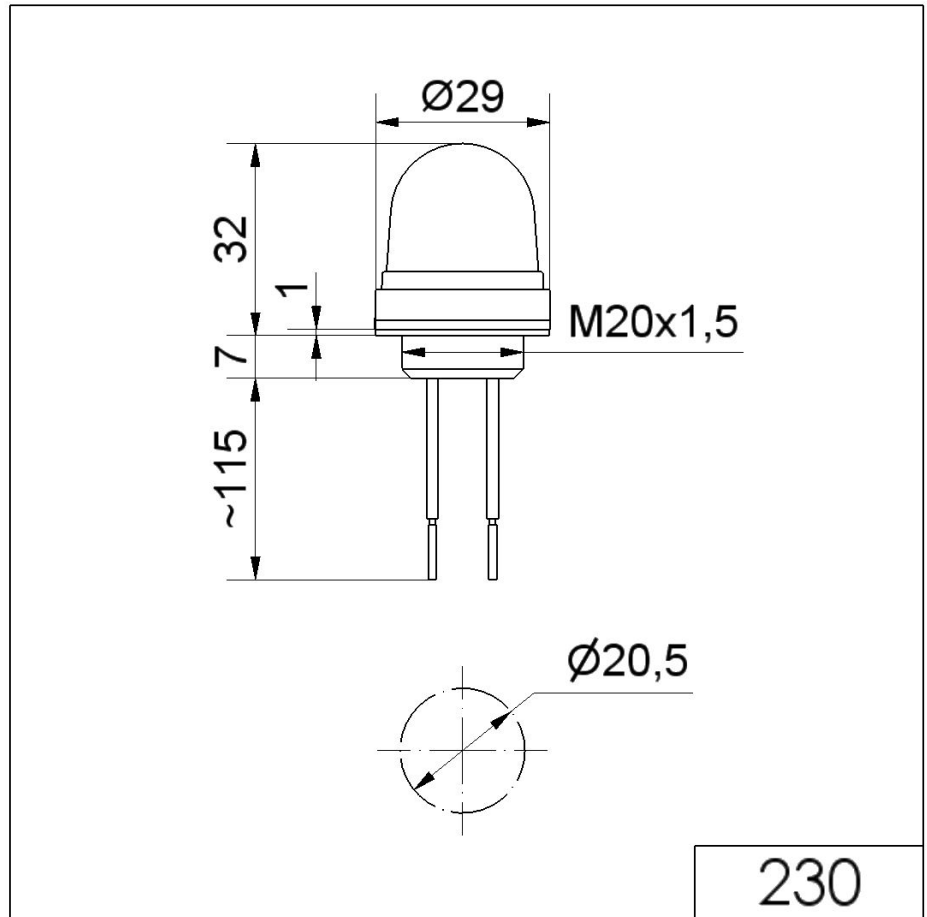
| | |
|----------------------|-----------|
| Light source | LED |
| Light colour | Red |
| Optical signal image | Permanent |

! For additional installation and mounting information, refer to the appropriate user guide at www.werma.com. This printed copy is for information only and is subject to alteration.

Micro installation beacon / LED Beacon 230

LED Perm. Beacon EM 230VAC RD

DRAWING



! For additional installation and mounting information, refer to the appropriate user guide at www.werma.com. This printed copy is for information only and is subject to alteration.