

Mini / LED/Buzzer 422

LED Buzzer WM Contin/pulse 24VAC/DC YE

Part No.: 422.310.75

**MECHANICAL DATA**

Height	121 mm
Diameter	83 mm
Materials	PC
Dome colour	Yellow
Housing colour	Grey
Protection category	IP65
Connection	Screw terminals
cross-sectional area maximum	1,50mm ² / 16AWG
Cable entry	Membrane grommet
Cable entry minimum	d = 1 mm
Cable entry maximum	d = 9 mm
Tension relief	Pull-out protection
Type of fixing	Wall mounting
Service life optical	50,000 h maximum
Acoustic service life	5,000 h minimum
Working temperature minimum	-20°C
Working temperature maximum	+50°C
Weight with packaging	165 g
Product weight	125 g

ELECTRICAL DATA

Operating voltage	24V
Operating voltage type	AC/DC
Operating voltage type	50Hz
Operating voltage tolerance	+/- 10%
Rated operational voltage	24 VDC
Rated operational current	45 mA
Rated inrush current	500 mA
Protection class	Protection class 2
Pollution degree	3

OPTICAL DATA

Light source	LED
Light colour	Yellow
Optical signal image	Permanent

ACUSTICAL DATA

Volume/dB(max) at 1m distance	92,0 dB (A)
-------------------------------	-------------



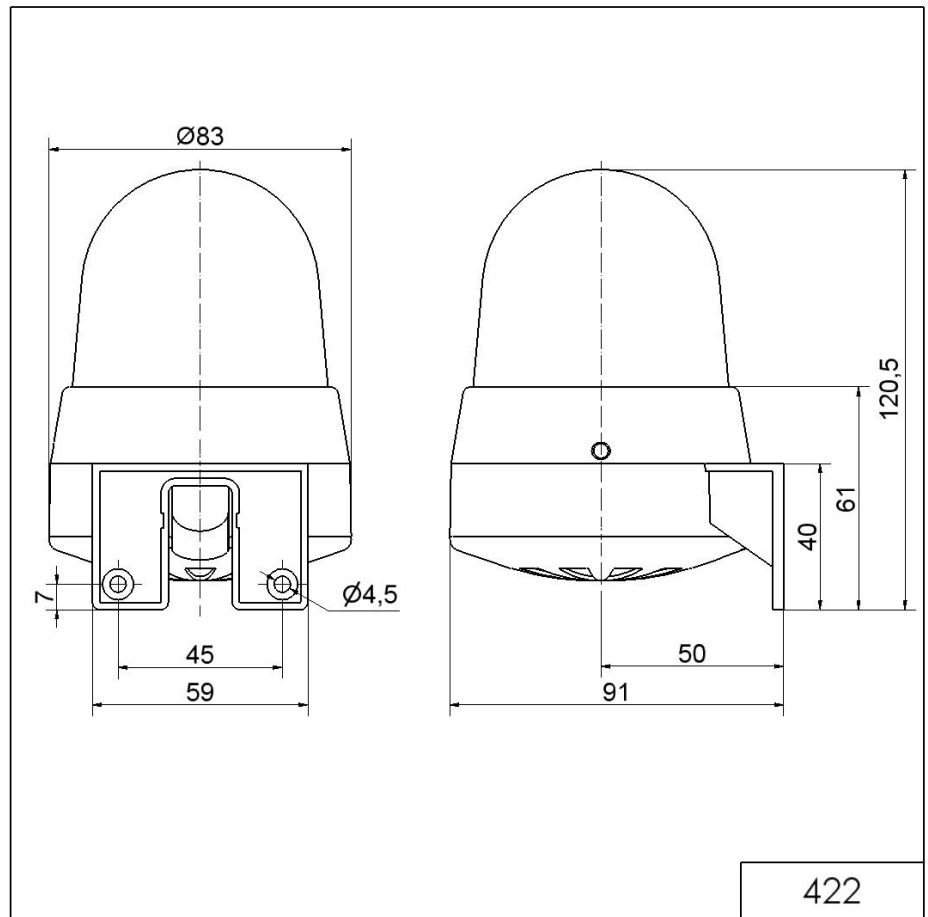
For additional installation and mounting information, refer to the appropriate user guide at www.werma.com. This printed copy is for information only and is subject to alteration.

Mini / LED/Buzzer 422

LED Buzzer WM Contin/pulse 24VAC/DC YE

Acoustic signal image	Continuous tone Pulse tone
Audio frequency	2300 Hz

DRAWING



422



For additional installation and mounting information, refer to the appropriate user guide at www.werma.com. This printed copy is for information only and is subject to alteration.