

Mini / LED/Horn 424

LED Horn WM Contin. tone 24VAC/DC YE

Part No.: 424.320.75



MECHANICAL DATA

Height	235 mm
Diameter	83 mm
Materials	PC
Dome colour	Yellow
Housing colour	Grey
Protection category	IP65
Connection	Screw terminals
cross-sectional area maximum	1,50mm ² / 16AWG
Cable entry	Membrane grommet
Cable entry minimum	d = 1 mm
Cable entry maximum	d = 9 mm
Tension relief	Pull-out protection
Type of fixing	Wall mounting
Service life optical	50,000 h maximum
Acoustic service life	5,000 h minimum
Working temperature minimum	-20°C
Working temperature maximum	+50°C
Weight with packaging	217 g
Product weight	166 g

ELECTRICAL DATA

Operating voltage	24V
Operating voltage type	AC/DC
Operating voltage type	50Hz
Operating voltage tolerance	+/- 10%
Rated operational voltage	24 VDC
Rated operational current	80 mA
Rated inrush current	2.000 mA
Protection class	Protection class 2
Pollution degree	3

OPTICAL DATA

Light source	LED
Light colour	Yellow
Optical signal image	Permanent

ACUSTICAL DATA

Volume/dB(max) at 1m distance	98,0 dB (A)
Acoustic signal image	Continuous tone

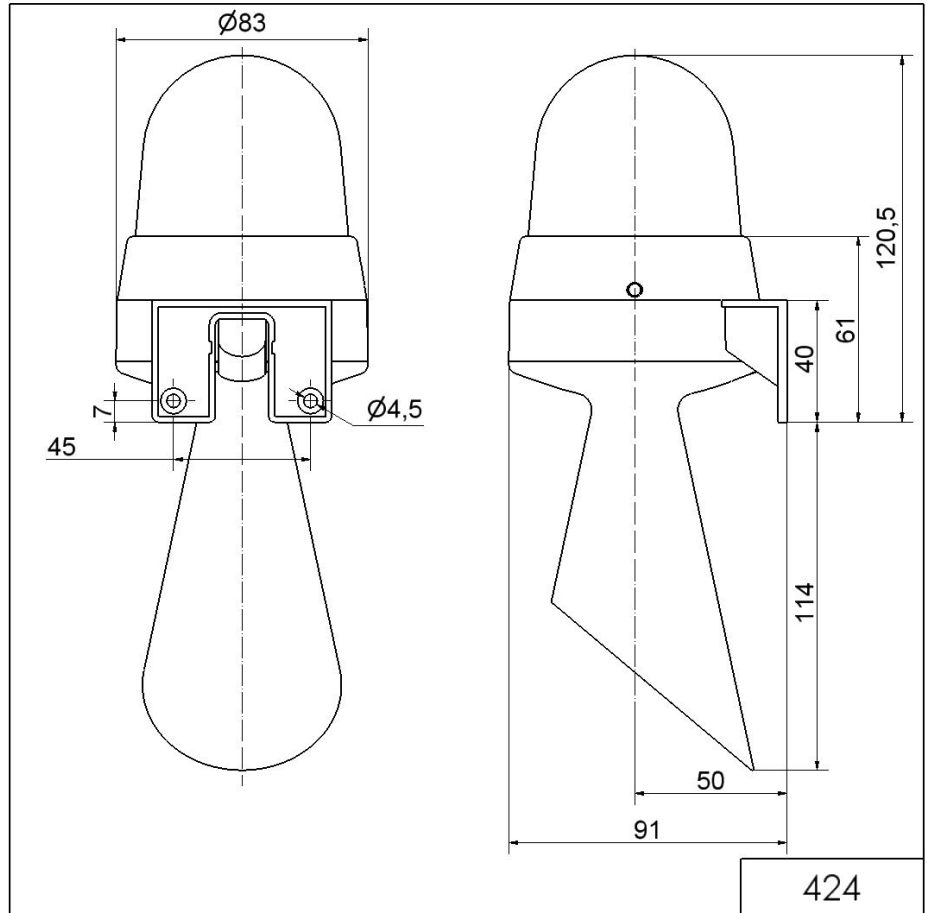
! For additional installation and mounting information, refer to the appropriate user guide at www.werma.com. This printed copy is for information only and is subject to alteration.

Mini / LED/Horn 424

LED Horn WM Contin. tone 24VAC/DC YE

Audio frequency	110 Hz
-----------------	--------

DRAWING



! For additional installation and mounting information, refer to the appropriate user guide at www.werma.com. This printed copy is for information only and is subject to alteration.