

Mini Horns Sirens Buzzer / Signal Horn 482

**Signal horn WM Contin. tone 230VAC GY**

Part No.: 482.052.68

**MECHANICAL DATA**

Height	80 mm
Diameter	70 mm
Materials	PC/ABS
Housing colour	Grey
Protection category	IP33
Connection	Screw terminals
cross-sectional area maximum	1,50mm <sup>2</sup> / 16AWG
Cable entry	Through hole
Cable entry maximum	d = 9 mm
Type of fixing	Wall mounting
Service life optical	300 h minimum
Acoustic service life	300 h minimum
Working temperature minimum	-20°C
Working temperature maximum	+60°C
Weight with packaging	173 g
Product weight	160 g

**ELECTRICAL DATA**

Operating voltage	230V
Operating voltage type	AC
Operating voltage type	50Hz
Operating voltage tolerance	+/- 10%
Rated operational voltage	230 VAC
Rated operational current	15 mA
Rated inrush current	<500mA
Protection class	Protection class 1
Pollution degree	2
Overvoltage category	II
Isolation voltage	U <sub>i</sub> = 250V; U <sub>imp</sub> = 2.500V

**ACUSTICAL DATA**

Volume/dB(max) at 1m distance	92,0 dB (A)
Acoustic signal image	Continuous tone
Audio frequency	100 Hz

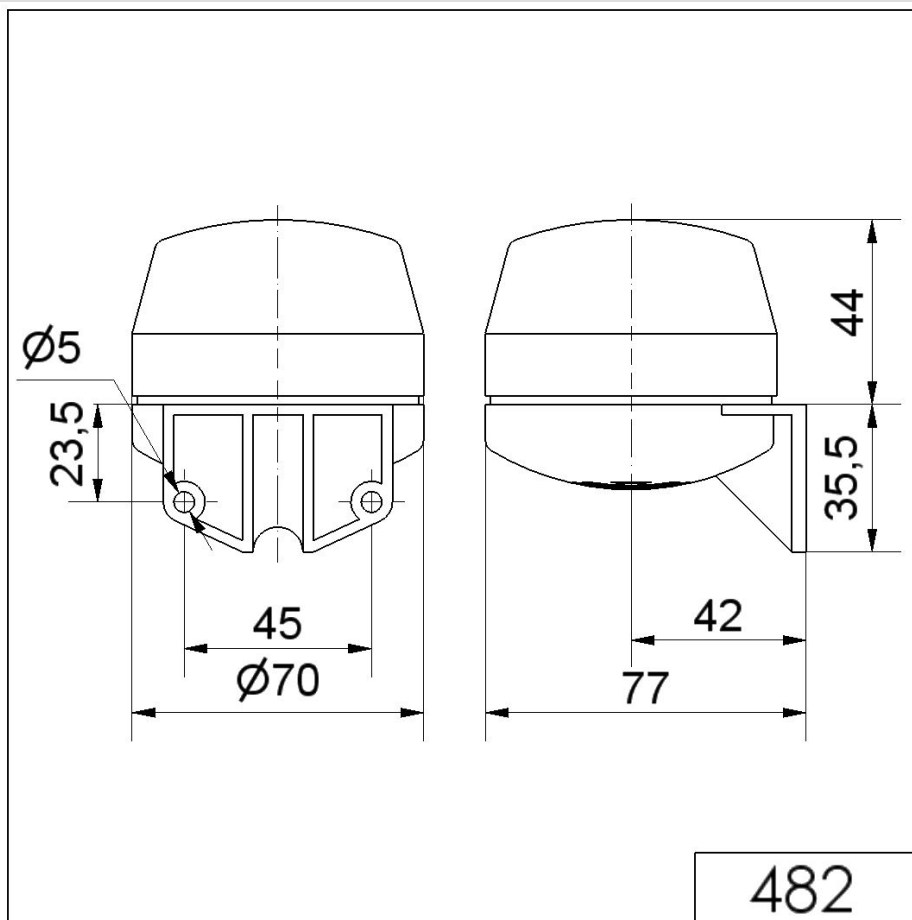


For additional installation and mounting information, refer to the appropriate user guide at [www.werma.com](http://www.werma.com). This printed copy is for information only and is subject to alteration.

Mini Horns Sirens Buzzer / Signal Horn 482

**Signal horn WM Contin. tone 230VAC GY**

**DRAWING**



**!** For additional installation and mounting information, refer to the appropriate user guide at [www.werma.com](http://www.werma.com). This printed copy is for information only and is subject to alteration.