

Midi Horns and Sirens / Signal Horn 570

Signal horn WM Contin. tone 24VDC GY



Part No.: 570.052.55



MECHANICAL DATA	
Length	152 mm
Height	350 mm
Diameter	148 mm
Materials	PC/ABS
Housing colour	Grey
Protection category	IP55
Connection	Screw terminals
cross-sectional area maximum	2,50mm ² / 14AWG
Cable entry	Through hole
Cable entry maximum	d = 10 mm
Type of fixing	Wall mounting
Service life optical	250 h minimum
Acoustic service life	250 h minimum
Working temperature minimum	-20°C
Working temperature maximum	+60°C
Weight with packaging	1065 g
Product weight	880 g

ELECTRICAL DATA	
Operating voltage	24V
Operating voltage type	DC
Operating voltage tolerance	+/- 10%
Rated operational voltage	24 VDC
Rated operational current	350 mA
Rated inrush current	<5A
Protection class	Protection class 2
Pollution degree	3

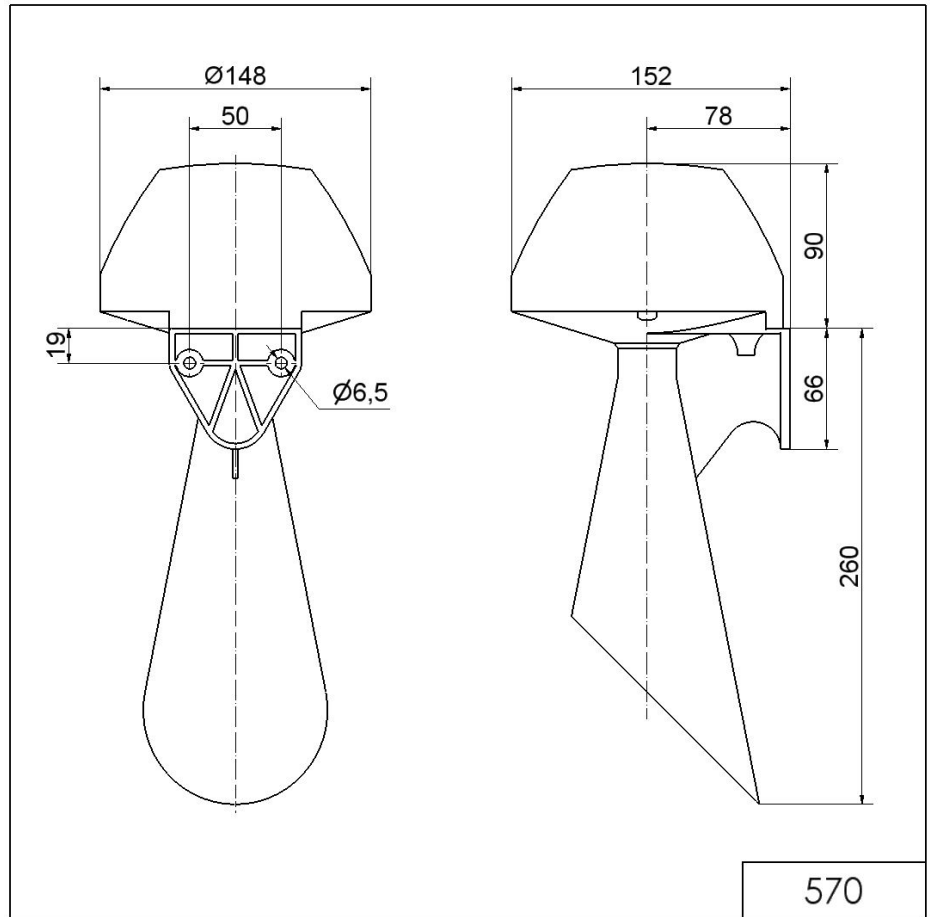
ACUSTICAL DATA	
Volume/dB(max) at 1m distance	108,0 dB (A)
Acoustic signal image	Continuous tone

! For additional installation and mounting information, refer to the appropriate user guide at www.werma.com. This printed copy is for information only and is subject to alteration.

Midi Horns and Sirens / Signal Horn 570

Signal horn WM Contin. tone 24VDC GY

DRAWING



For additional installation and mounting information, refer to the appropriate user guide at www.werma.com. This printed copy is for information only and is subject to alteration.