

Mounting Model / Horn/Light Combination 580
Horn/Light WM Contin. tone 230VAC RD

Part No.: 580.152.68



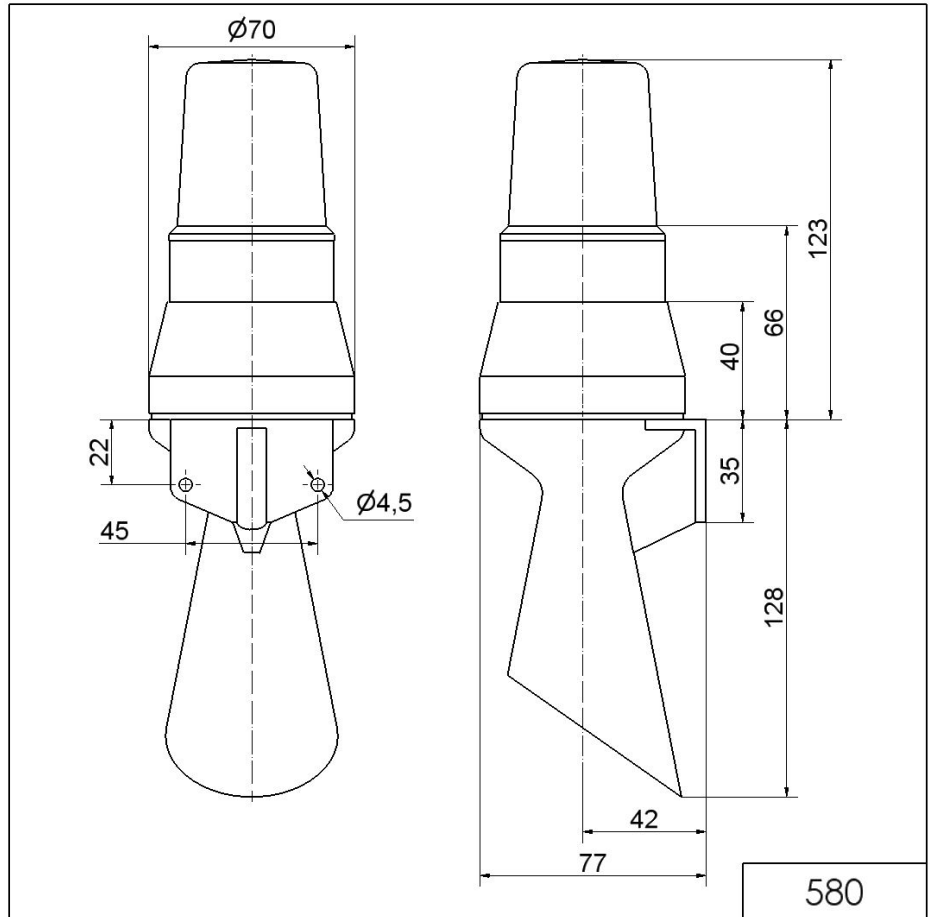
| MECHANICAL DATA | |
|-------------------------------|-----------------------------|
| Length | 77 mm |
| Width | 70 mm |
| Height | 251 mm |
| Diameter | 70 mm |
| Materials | PC PC/ABS |
| Dome colour | Red |
| Housing colour | Grey |
| Protection category | IP33 |
| Connection | Screw terminals |
| cross-sectional area maximum | 2,50mm ² / 14AWG |
| Cable entry | Through hole |
| Cable entry maximum | d = 9 mm |
| Type of fixing | Wall mounting |
| Service life optical | Lamp: depends on bulb |
| Acoustic service life | 300 h minimum |
| Working temperature minimum | -20°C |
| Working temperature maximum | +50°C |
| Weight with packaging | 300 g |
| Product weight | 256 g |
| ELECTRICAL DATA | |
| Operating voltage | 230V |
| Operating voltage type | AC |
| Operating voltage type | 50Hz |
| Operating voltage tolerance | +/- 10% |
| Rated operational voltage | 230 VAC |
| Rated operational current | 50 mA |
| Protection class | Protection class 1 |
| Pollution degree | 2 |
| Overvoltage category | II |
| Isolation voltage | Ui = 250V; Uimp = 2.500V |
| OPTICAL DATA | |
| Light colour | Red |
| ACUSTICAL DATA | |
| Volume/dB(max) at 1m distance | 92,0 dB (A) |
| Acoustic signal image | Continuous tone |

! For additional installation and mounting information, refer to the appropriate user guide at www.werma.com. This printed copy is for information only and is subject to alteration.

Mounting Model / Horn/Light Combination 580
Horn/Light WM Contin. tone 230VAC RD

| | |
|-----------------|--------|
| Audio frequency | 600 Hz |
|-----------------|--------|

DRAWING



! For additional installation and mounting information, refer to the appropriate user guide at www.werma.com. This printed copy is for information only and is subject to alteration.